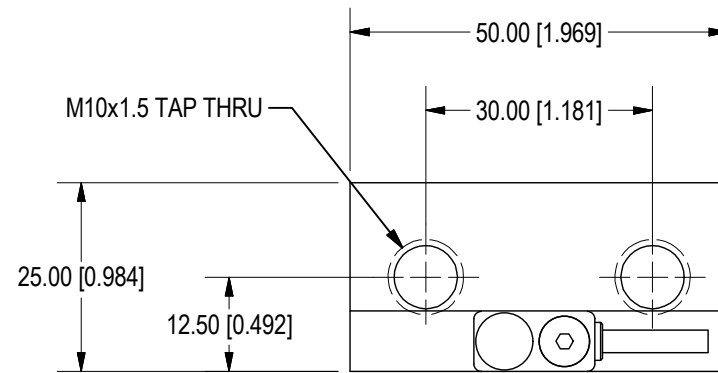
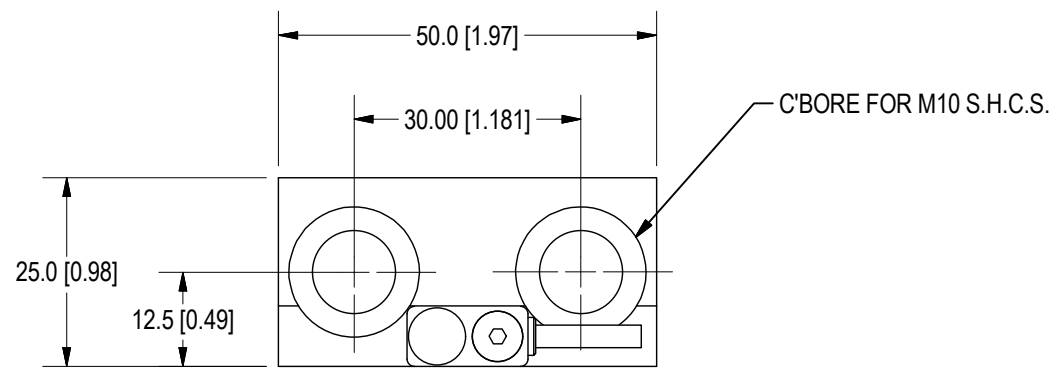


25mm WIDE INTELLIGENT STOPS



25mm WIDE ORDERING INFORMATION



Type

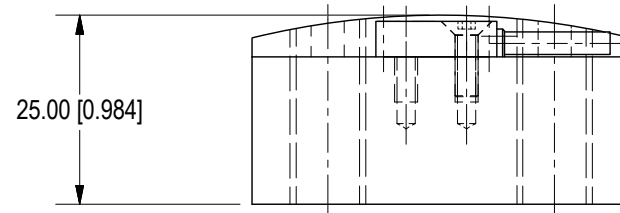
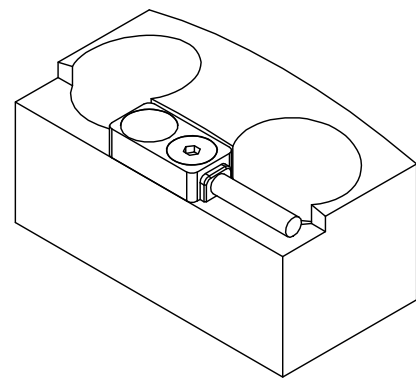
- C Crown Block
- F Flat Block

Holes

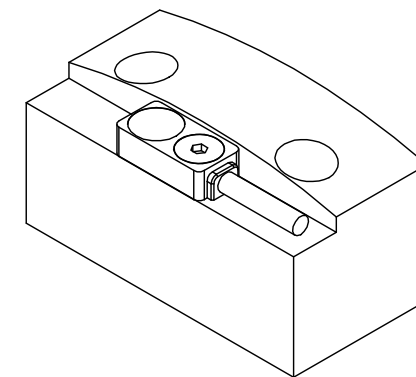
- 0 C'Bore
- 1 Tapped

Switch

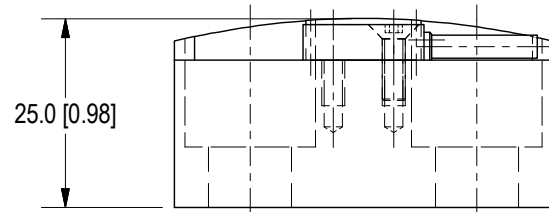
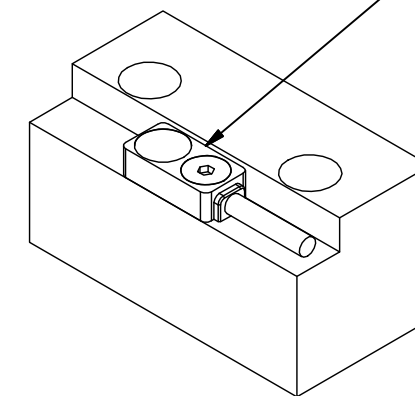
- T Turck
- B Balluff



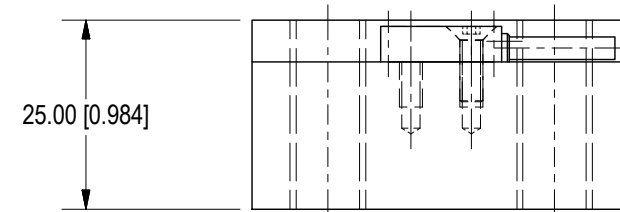
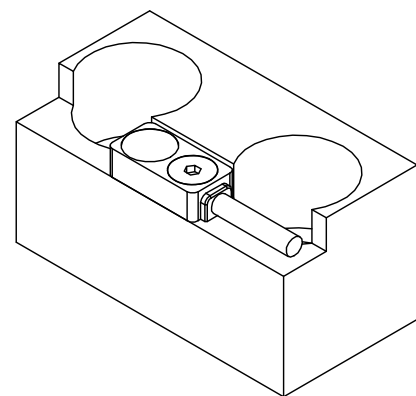
ASC021-IS
CROWNED W/ TAPS



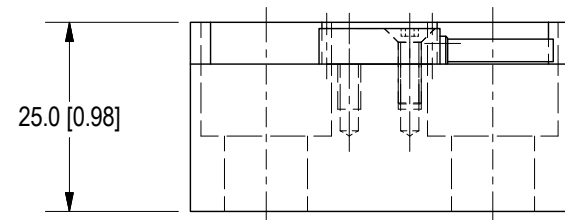
SWITCHES ARE FIELD REPLACEABLE AND HAVE A STEEL BODY WITH CERAMIC FACE



ASC020-IS
CROWNED W/ C'BORE



ASF021-IS
FLAT W/ TAPS



ASF020-IS
FLAT W/ C'BORE

 7200 MILLER DR. WARREN, MI 48092 EE-CP.COM	NOTICE: THIS DRAWING IS PROPERTY OF E&E CUSTOM PRODUCTS INCLUDING THE PRINCIPLES OF THE DESIGN INVOLVED, AND IS SUBMITTED WITH AGREEMENT THAT IT IS NOT TO BE REPRODUCED, COPIED, OR LOANED, IN PART OR WHOLE, ACCEPTANCE OF THIS DRAWING WILL BE CONSTRUED AS AN AGREEMENT TO THE ABOVE		
	TITLE 25mm WIDE INTELLIGENT STOPS		
	PART NO.		
	DRAWN BY:	CHK'D BY:	APPR'D BY:
DATE:	DATE:	DATE:	
SCALE: 1	DWG. NO. 25mm WIDE INTELLIGENT STOPS TEMPLATE		
SHT 1 OF 1			