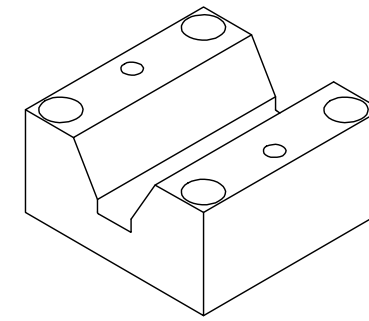
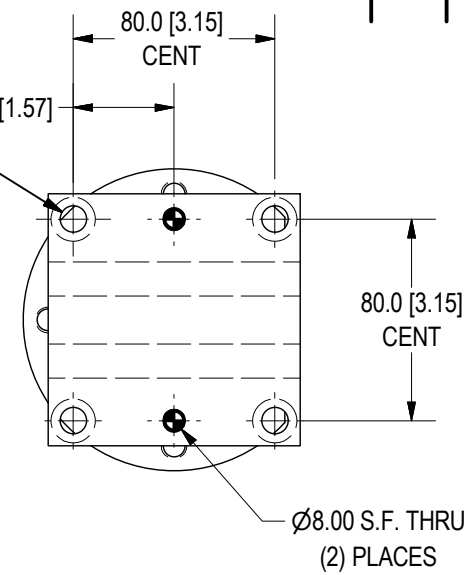
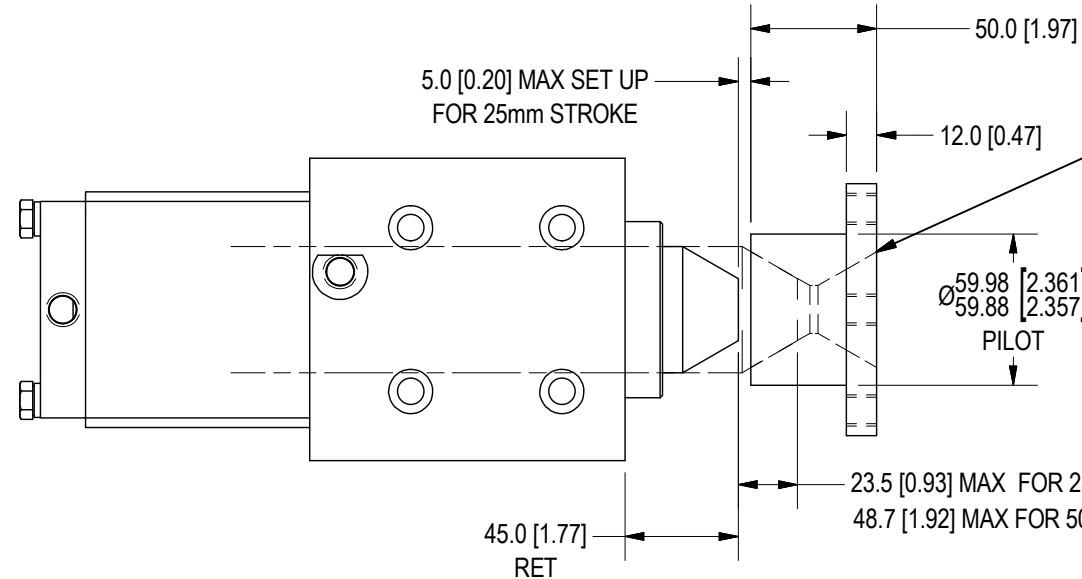


RECEIVER BLOCK 2
2-WAY - USED WITH CONICAL

Ø10.50 THRU
└─┘ Ø17.50 ▽ 15.00
(4) PLACES FAR SIDE



RECEIVER BLOCK 2

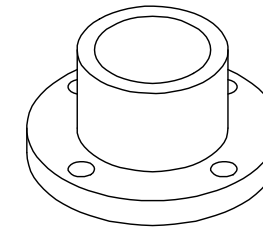
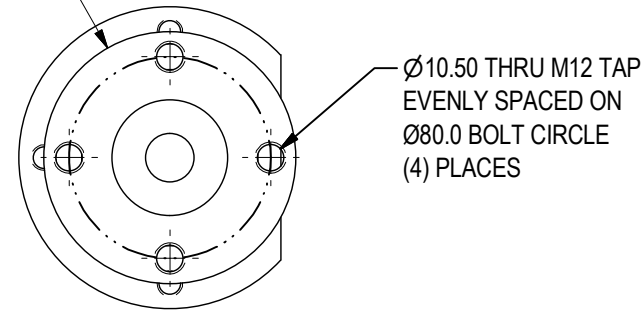


RECEIVER BLOCK 4
4-WAY - USED WITH CONICAL

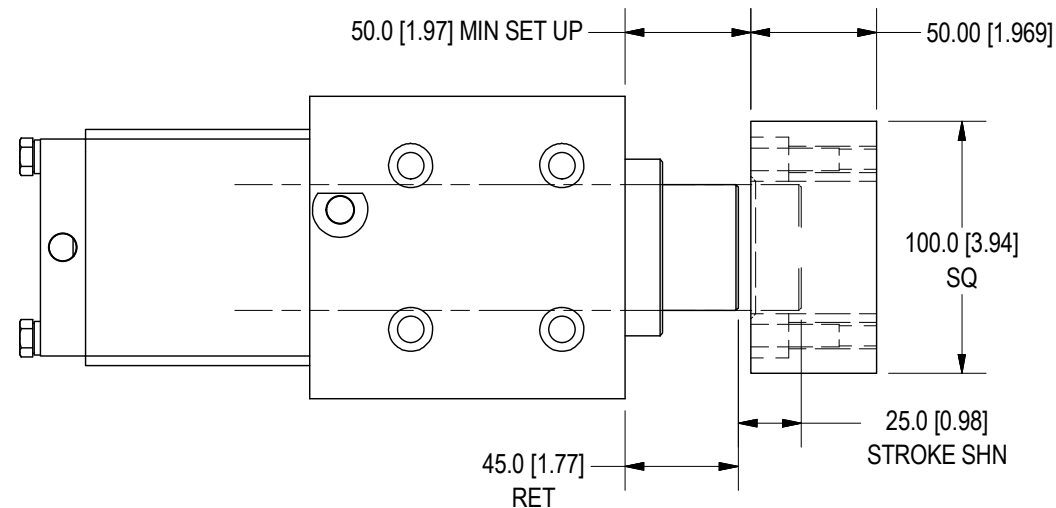
DOUBLE CONE FOR
REVERSE MOUNTING

Ø59.98 [2.361]
Ø59.88 [2.357]
PILOT

Ø100.0 [Ø3.94]

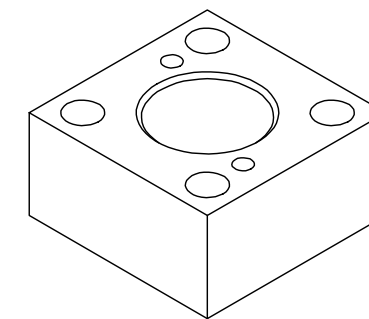
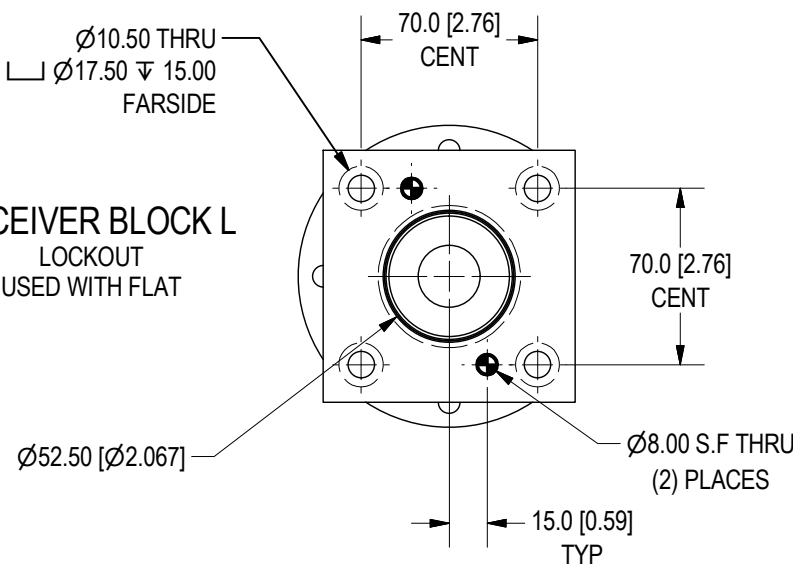


RECEIVER BLOCK 4



RECEIVER BLOCK L
LOCKOUT
USED WITH FLAT

Ø10.50 THRU
└─┘ Ø17.50 ▽ 15.00
FAR SIDE



RECEIVER BLOCK L

ORDERING INFORMATION

ALP - 5 0 P R

Receiver Block

- 2 2-Way Positioning / Receiver
- 4 4-Way Positioning / Receiver
- L Lockout Receiver

ALL BLOCKS ARE CARB & HARDEN Rc 45-50

 7200 MILLER DR. WARREN, MI 48092 www.ee-cp.com	NOTICE: THIS DRAWING IS PROPERTY OF E&E CUSTOM PRODUCTS INCLUDING THE PRINCIPLES OF THE DESIGN INVOLVED, AND IS SUBMITTED WITH AGREEMENT THAT IT IS NOT TO BE REPRODUCED, COPIED, OR LOANED, IN PART OR WHOLE, ACCEPTANCE OF THIS DRAWING WILL BE CONSTRUED AS AN AGREEMENT TO THE ABOVE		
	TITLE ALP50 RECEIVER BLOCKS		
	PART NO.		
	DRAWN BY:	CHK'D BY:	APPR'D BY:
	DATE:	DATE:	DATE:
SCALE: 1/3	DWG. NO. ALP50 RECEIVER BLOCK TEMPLATE		
SHT 1 OF 1			