

SYM	CHANGES	DATE	BY
-----	---------	------	----

ORDERING INFORMATION

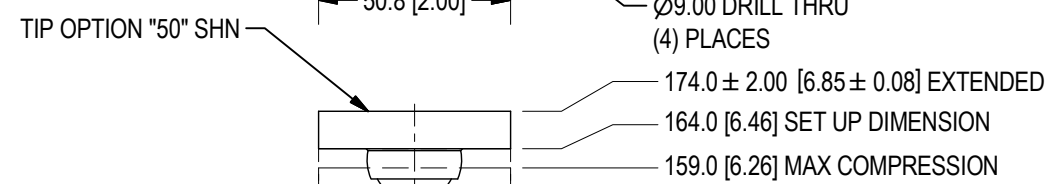
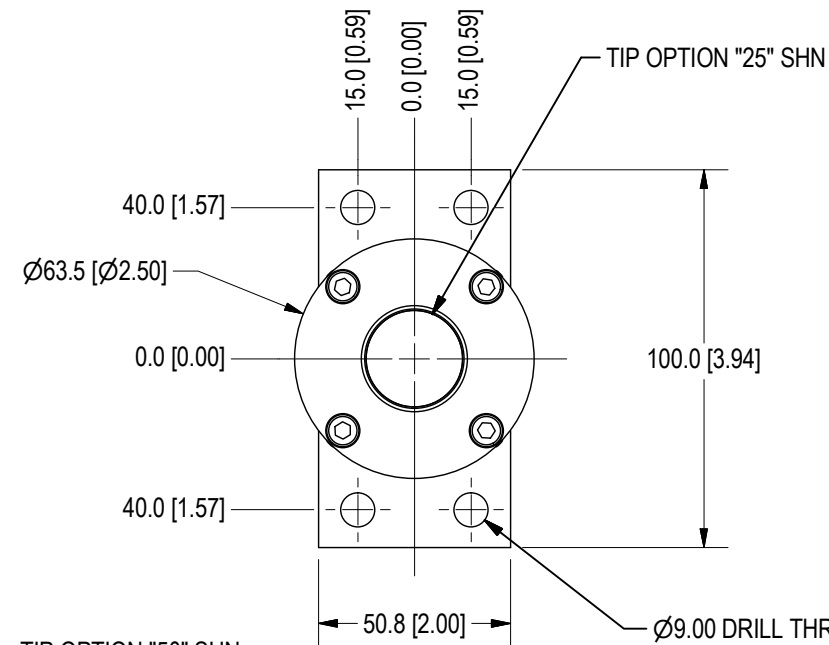
SGB - **0 0**

Switch

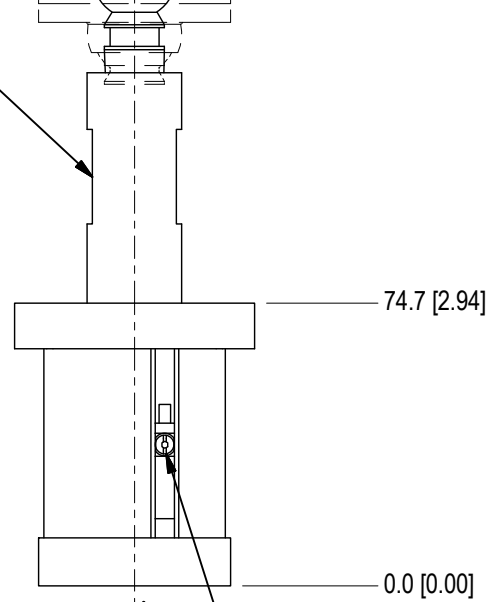
- 0 None
- E Efeactor (STD) Weld Immune
- B Balluff
- T Turck
- S Sick

Tip Option

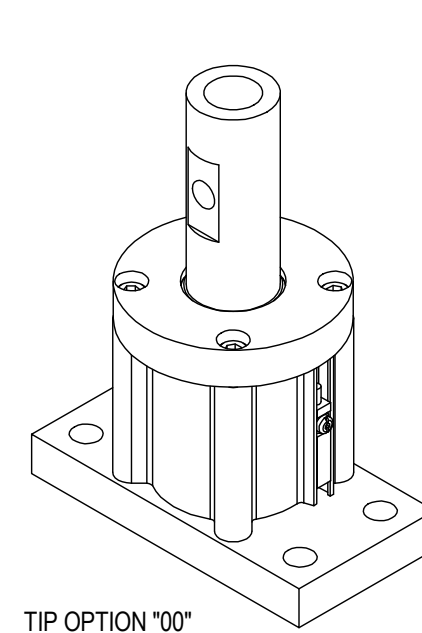
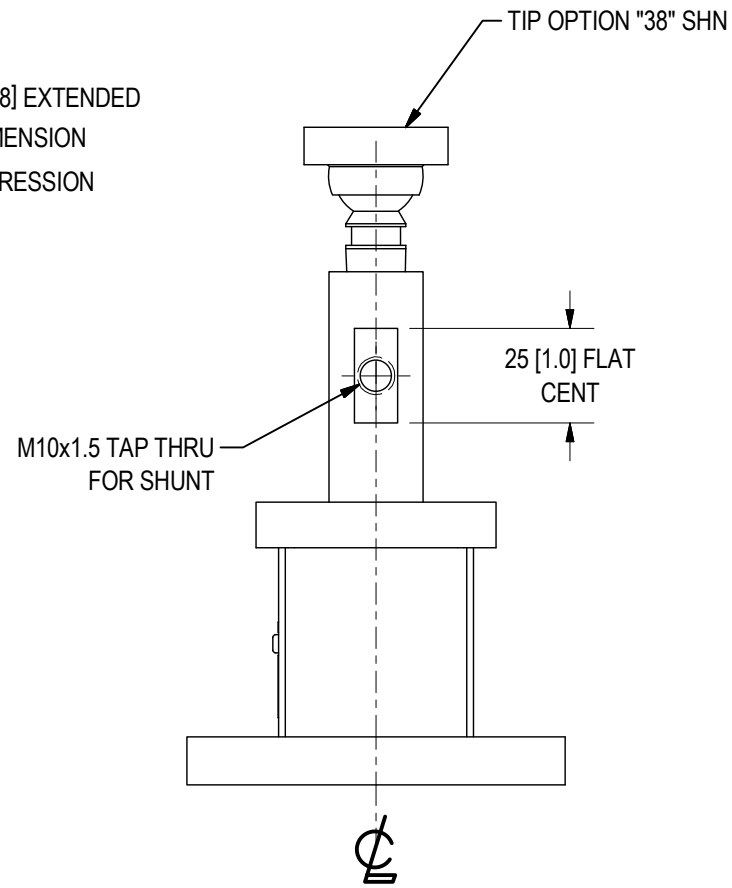
- 00 None
- 25 Flat Swivel Small 25mm Dia
- 38 Flat Swivel Med 38mm Dia (Std)
- 50 Flat Swivel Large 50mm Dia



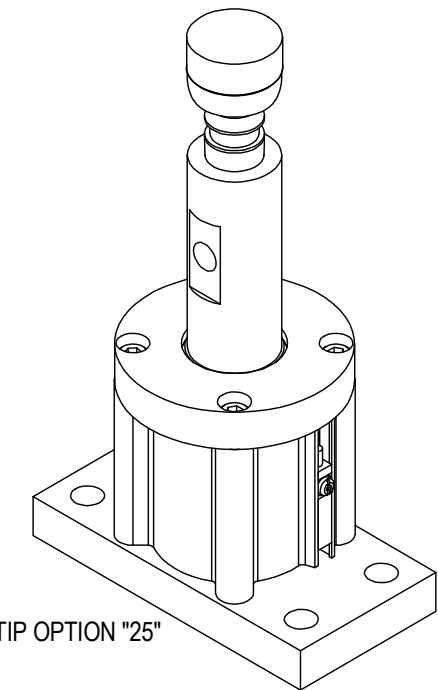
TO REPLACE SWIVEL TIP REMOVE SHUNT AND USE 25mm WRENCH FLATS TO HOLD ROD WHILE TWISTING OUT WORN SWIVEL



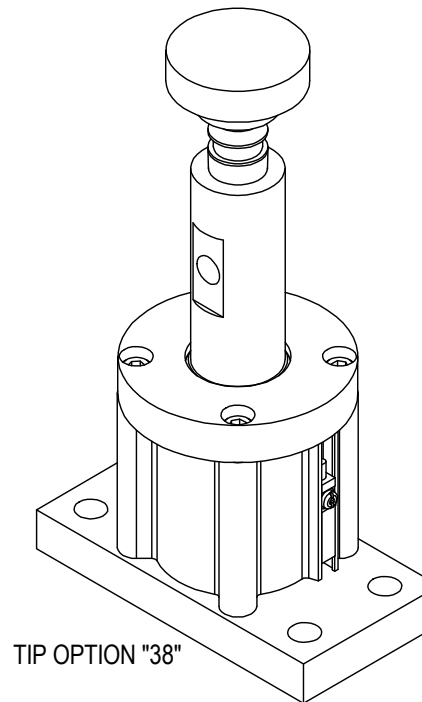
1 SENSOR NEARSIDE SET FOR 10mm COMPRESSION SET UP DIM



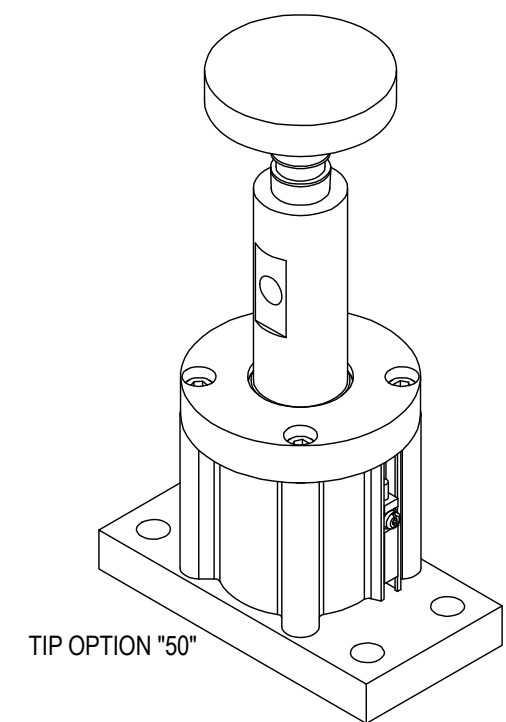
TIP OPTION "00"



TIP OPTION "25"



TIP OPTION "38"



TIP OPTION "50"

GROUNDING CAPACITY 1000 AMP FOR 15 SEC CONTINUOUS WITH 50% DUTY CYLCLE OR EQUIVALENT

15mm MAX STROKE

SPRING PRESSURE

EXT = 7 lbs

RET = 16.5 lbs

APPROX WEIGHT = 3lbs [1.36kg]

 7200 MILLER DR. WARREN, MI 48092 EE-CP.COM	NOTICE: THIS DRAWING IS PROPERTY OF E&E CUSTOM PRODUCTS INCLUDING THE PRINCIPLES OF THE DESIGN INVOLVED, AND IS SUBMITTED WITH AGREEMENT THAT IT IS NOT TO BE REPRODUCED, COPIED, OR LOANED, IN PART OR WHOLE, ACCEPTANCE OF THIS DRAWING WILL BE CONSTRUED AS AN AGREEMENT TO THE ABOVE		
	TITLE: SPRING GROUND BLOCK		
	PART NO.:		
	DRAWN BY:	CHK'D BY:	APPR'D BY:
	DATE:	DATE:	DATE:
SCALE: 1/2	DWG. NO. SGB TEMPLATE		
SHT 1 OF 1			