

ORDERING INFORMATION



Stroke
025 & 050

Actuator
N Pneumatic - NPT Ports
G Pneumatic - G Ports

Switch
B Balluff
E Efector Weld Immune
T Turck
S Sick (Standard) Weld Immune

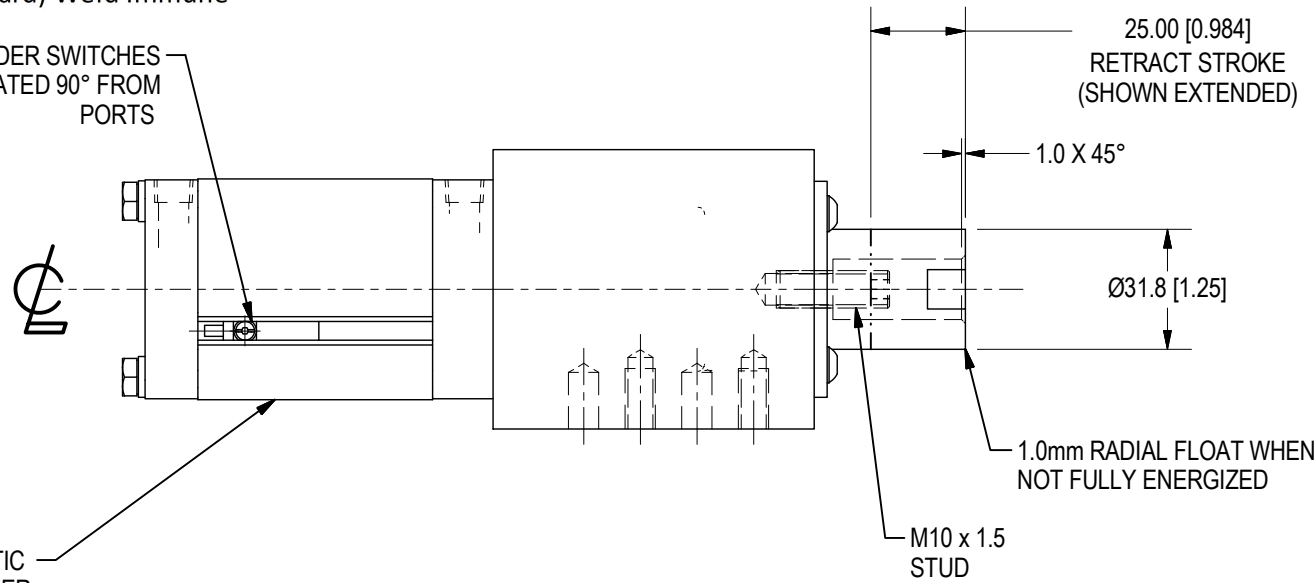
Switch Position
E S01 Ext Pos
R S01 Ret Pos

Port Position
1 Port Position (Shown)
2 Port Position
3 Port Position
4 Port Position

****ACCEPTS NAAMS STYLE PINS
25MM AND 50MM RETRACT

SYM	CHANGES	DATE	BY
-----	---------	------	----

CYLINDER SWITCHES ARE LOCATED 90° FROM PORTS



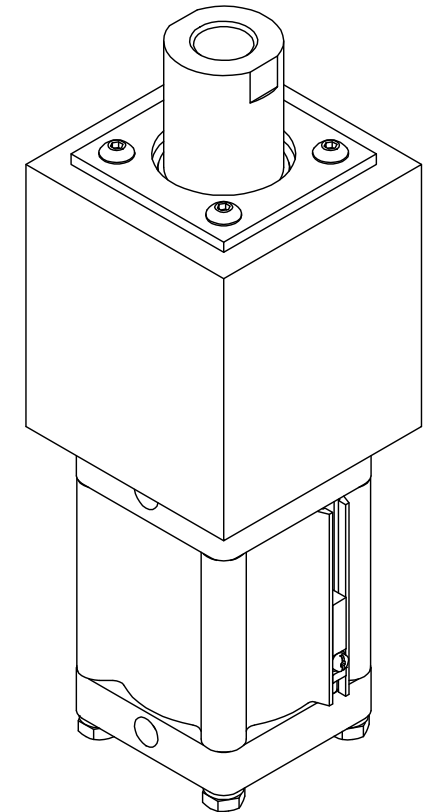
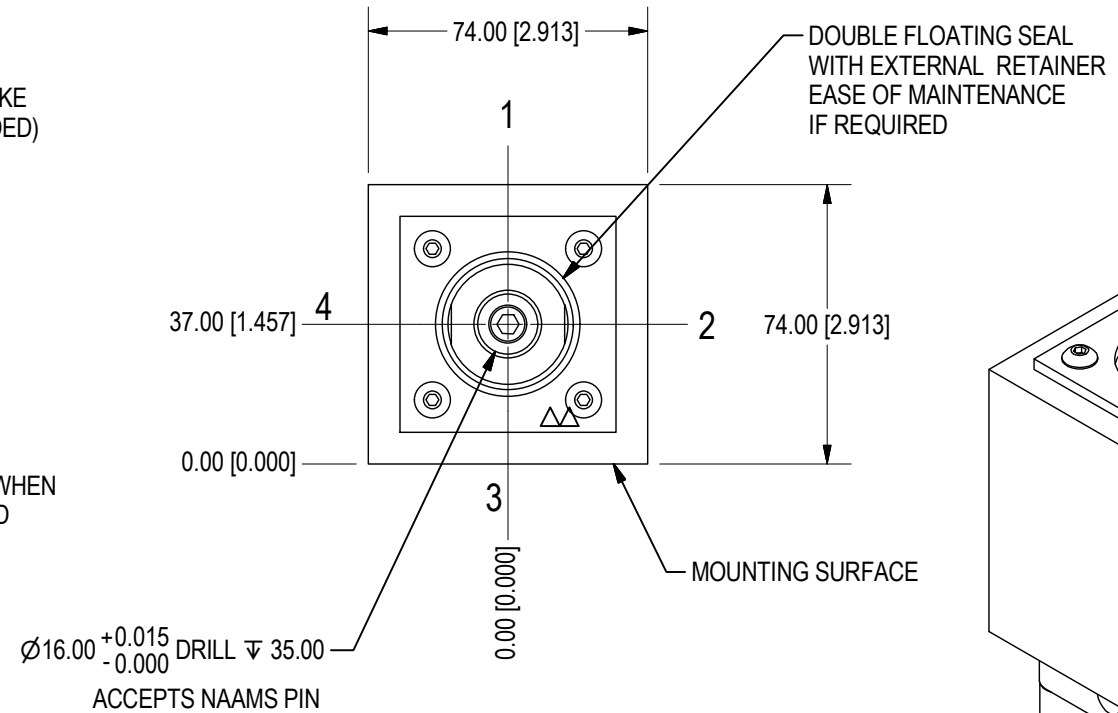
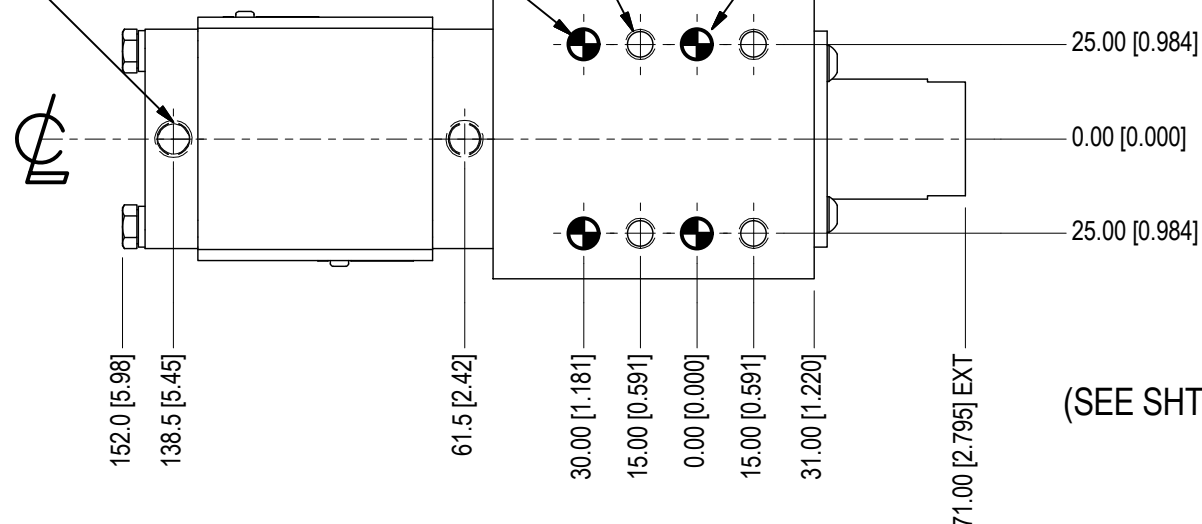
50mm BORE PNEUMATIC CYLINDER

M8x1.25 TAP ∇ 16.00 (4) PLACES

Ø8.00 P.F. ∇ 15.00 (4) PLACES

NAAMS SHIMMING 3 OR 4 HOLE / SLOT SHIMS AND SPACERS

2X 1/8 NPT OR G PORTS

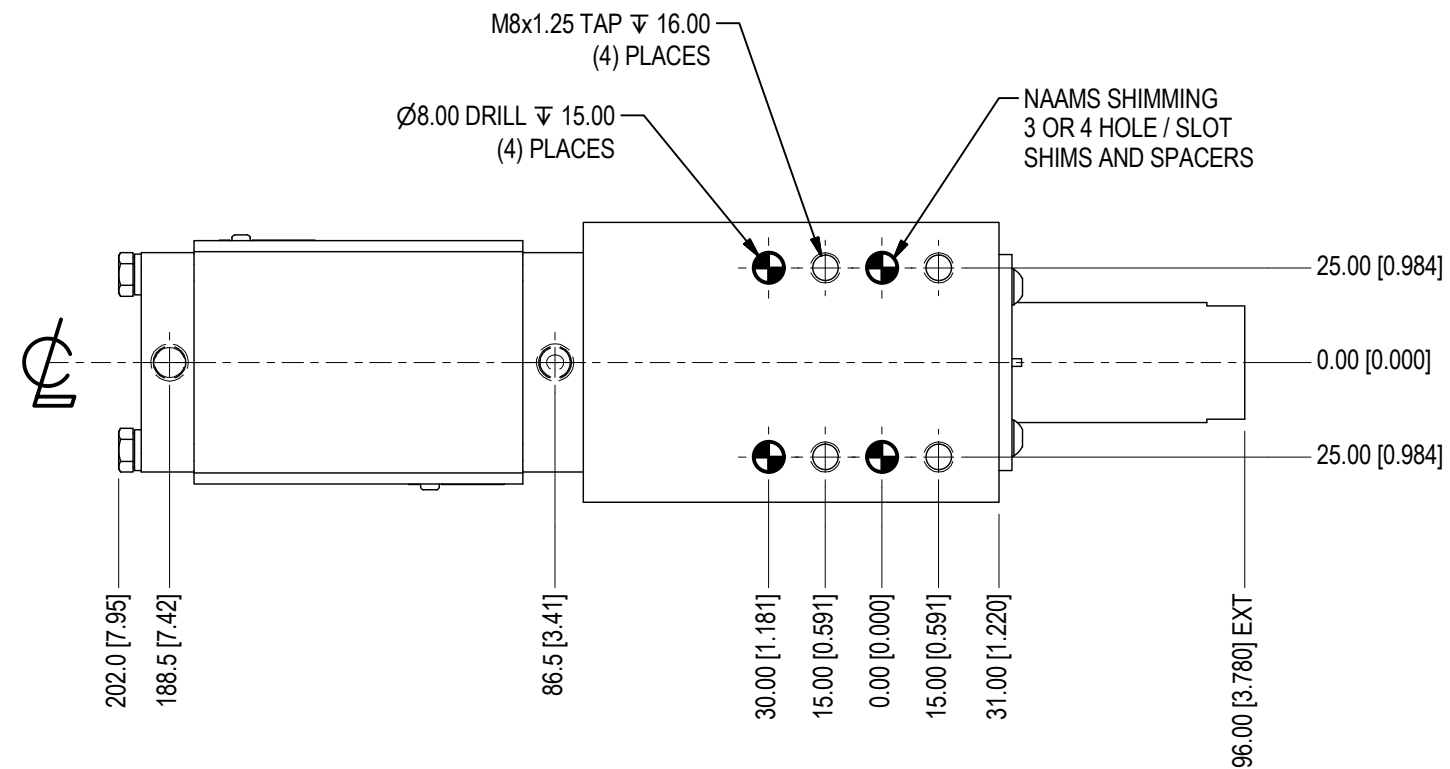
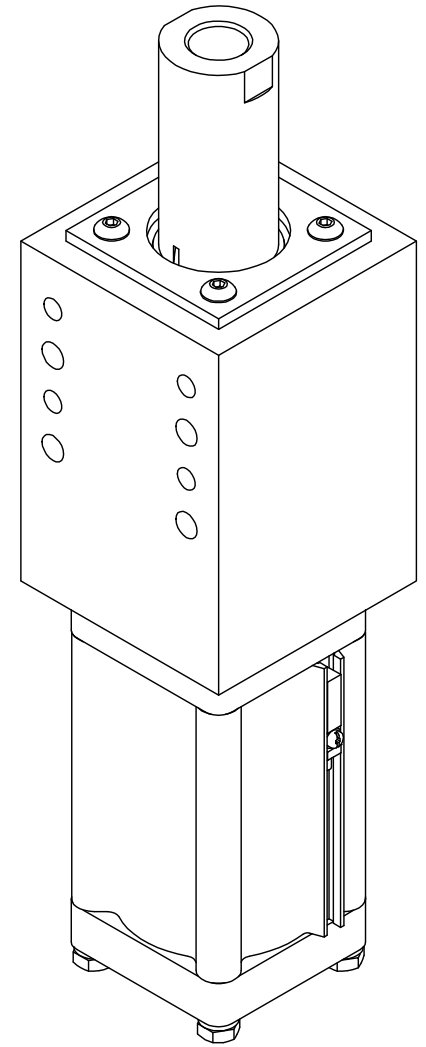
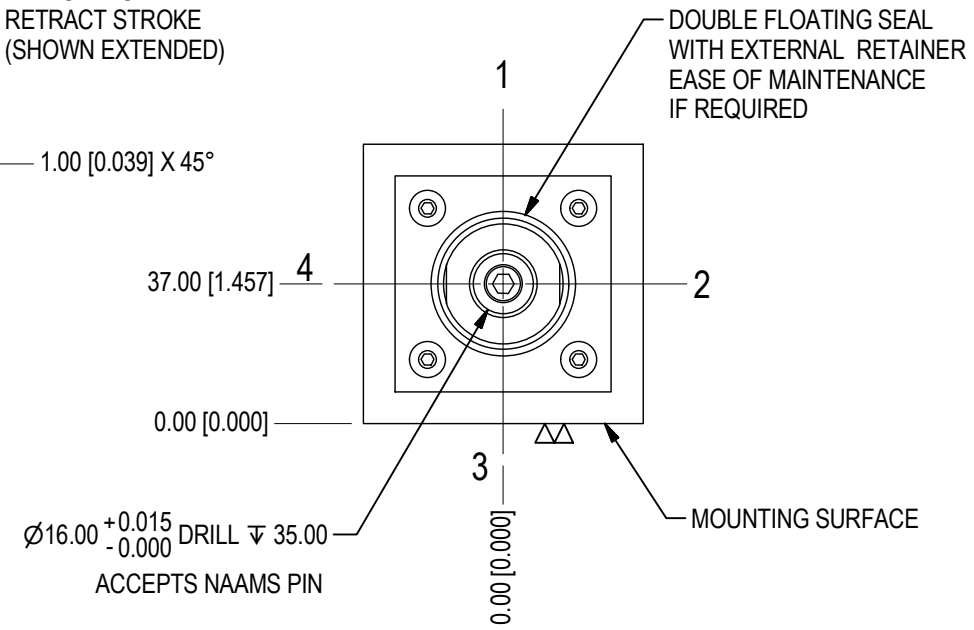
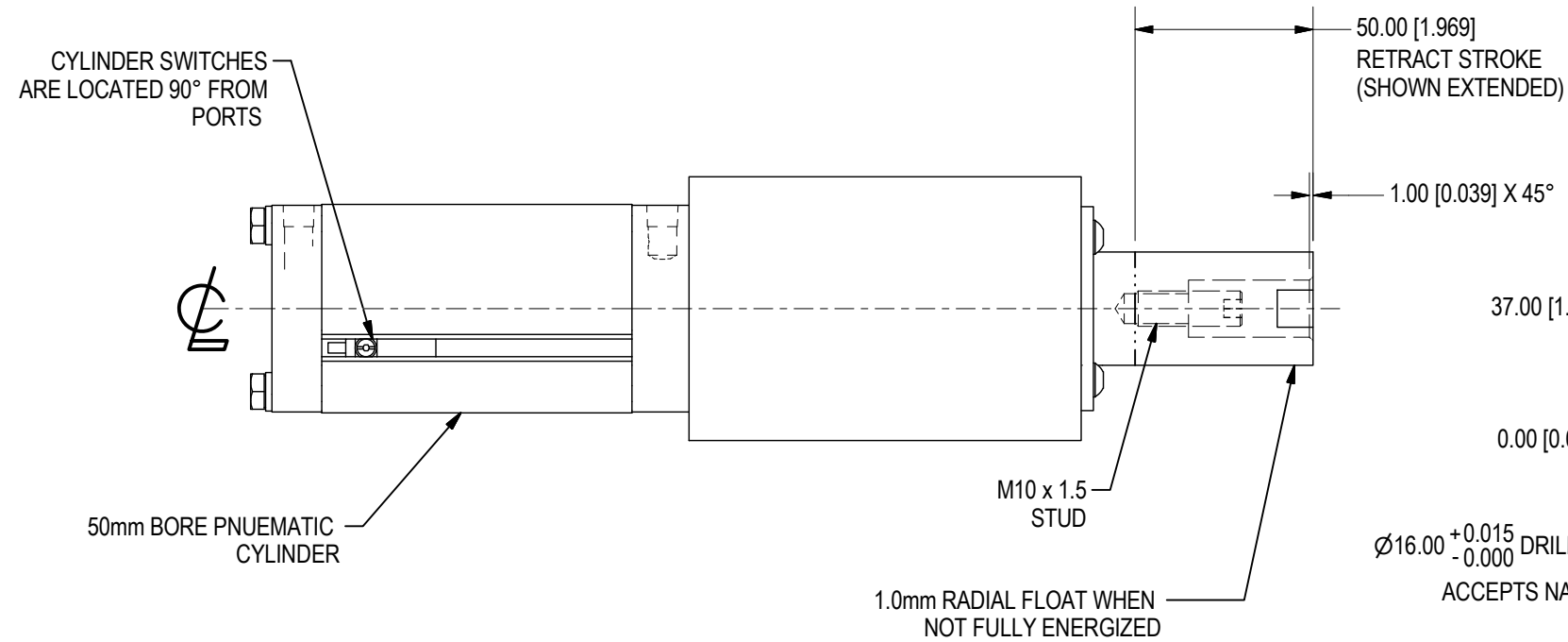


25MM STROKE SHOWN
(SEE SHT 2 FOR 50MM STROKE DIMENSIONS)

WEIGHT = 6.0lbs

	NOTICE: THIS DRAWING IS PROPERTY OF E&E CUSTOM PRODUCTS INCLUDING THE PRINCIPLES OF THE DESIGN INVOLVED, AND IS SUBMITTED WITH AGREEMENT THAT IT IS NOT TO BE REPRODUCED, COPIED, OR LOANED, IN PART OR WHOLE, ACCEPTANCE OF THIS DRAWING WILL BE CONSTRUED AS AN AGREEMENT TO THE ABOVE		
	TITLE FLOATING SHOT PIN		
PART NO.			
DRAWN BY:	CHK'D BY:	APPR'D BY:	
DATE:	DATE:	DATE:	
SCALE: 1/2	DWG. NO.	FSP-TEMPLATE	
SHT 1 OF 2			

SYM	CHANGES	DATE	BY
-----	---------	------	----



50MM STROKE SHOWN
(SEE SHT 1 FOR 25MM STROKE DIMENSIONS)

WEIGHT = 6.0lbs

<p>7200 MILLER DR. WARREN, MI 48092 EE-CP.COM</p>	NOTICE: THIS DRAWING IS PROPERTY OF E&E CUSTOM PRODUCTS INCLUDING THE PRINCIPLES OF THE DESIGN INVOLVED, AND IS SUBMITTED WITH AGREEMENT THAT IT IS NOT TO BE REPRODUCED, COPIED, OR LOANED, IN PART OR WHOLE, ACCEPTANCE OF THIS DRAWING WILL BE CONSTRUED AS AN AGREEMENT TO THE ABOVE		
	TITLE FLOATING SHOT PIN		
	PART NO.		
	DRAWN BY:	CHK'D BY:	APPR'D BY:
	DATE:	DATE:	DATE:
SCALE: 1/2	DWG. NO. FSP-TEMPLATE		
SHT 2 OF 2			