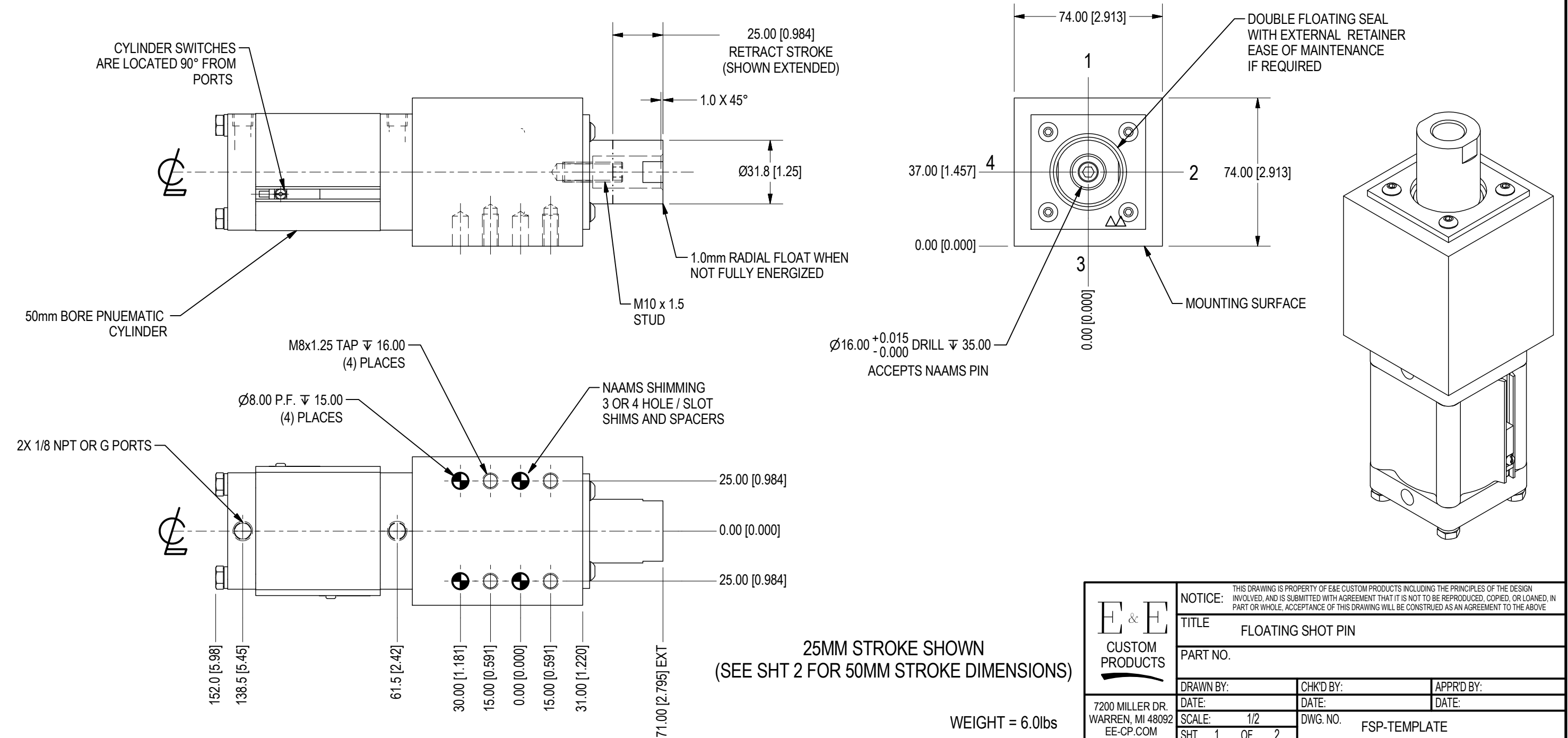


ORDERING INFORMATION

- Stroke**
025 & 050
- Actuator**
N Pneumatic - NPT Ports
G Pneumatic - G Ports
- Switch**
S Sick (Standard) Weld Immune
E Efeactor Weld Immune
T Turck
B Balluff
- Switch Position**
E S01 Ext Pos
R S01 Ret Pos
- Port Position**
1 Port Position (Shown)
2 Port Position
3 Port Position
4 Port Position

****ACCEPTS NAAMS STYLE PINS
25MM AND 50MM RETRACT

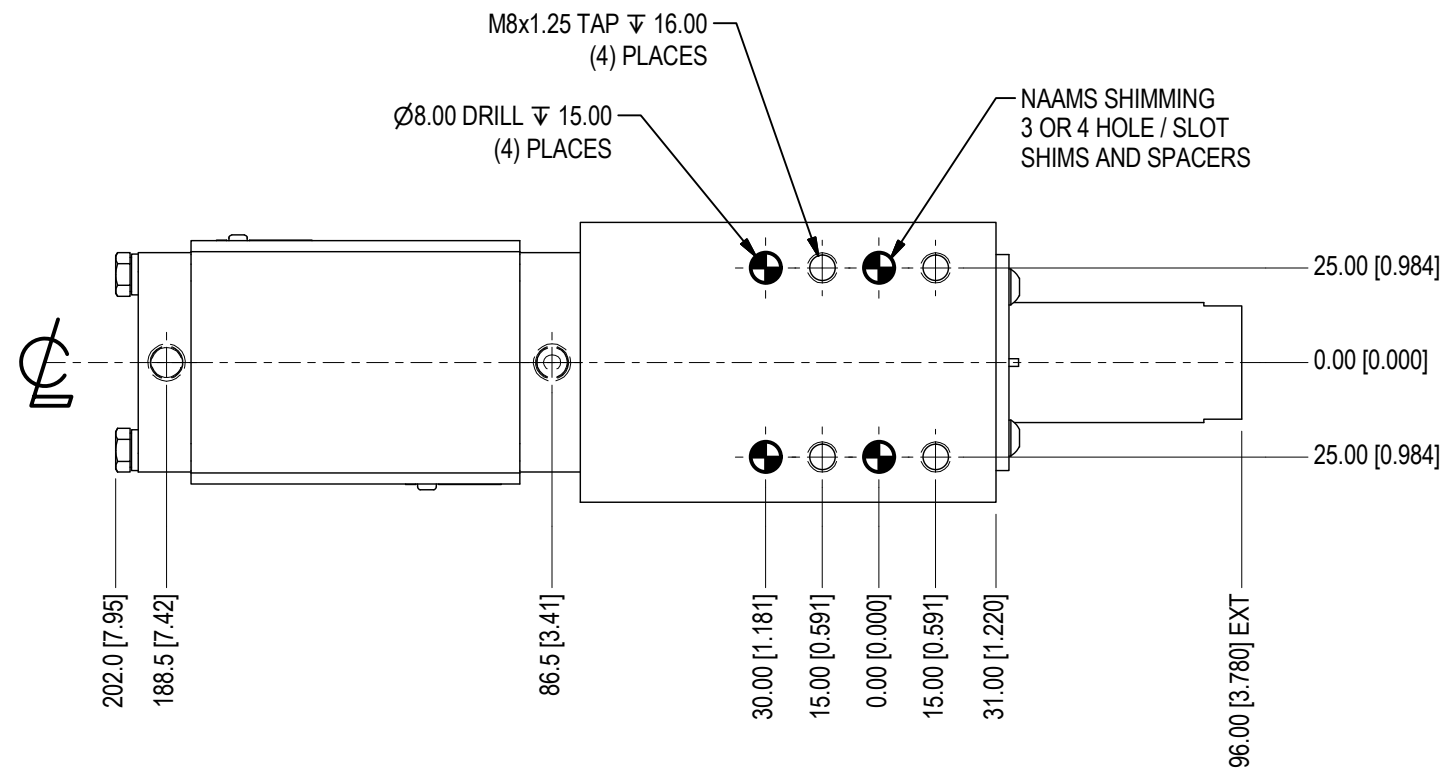
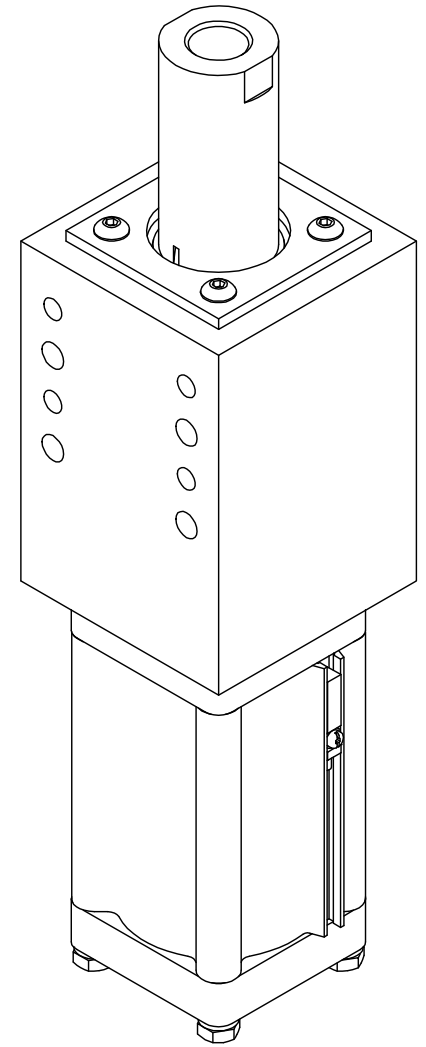
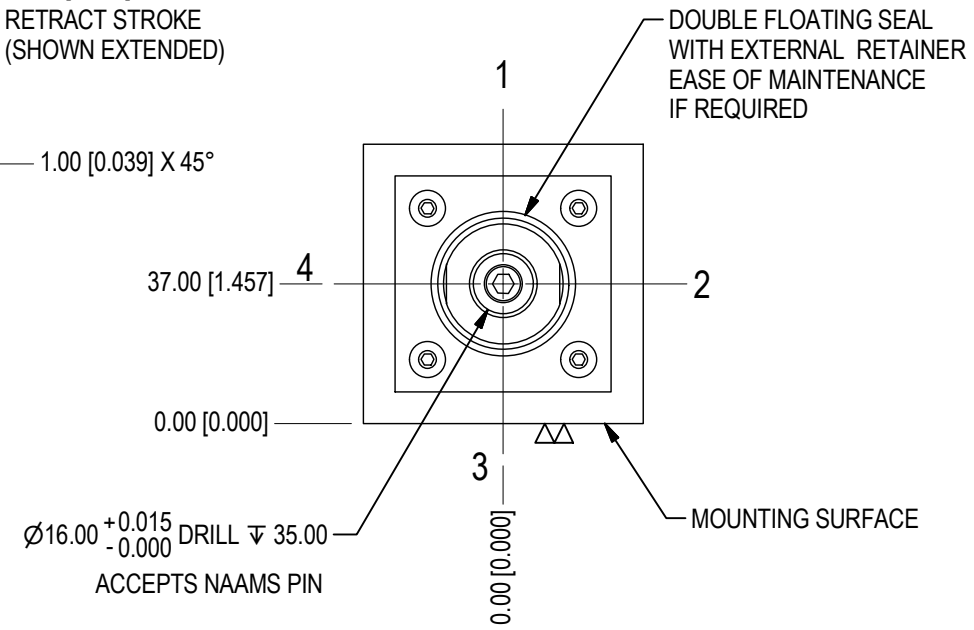
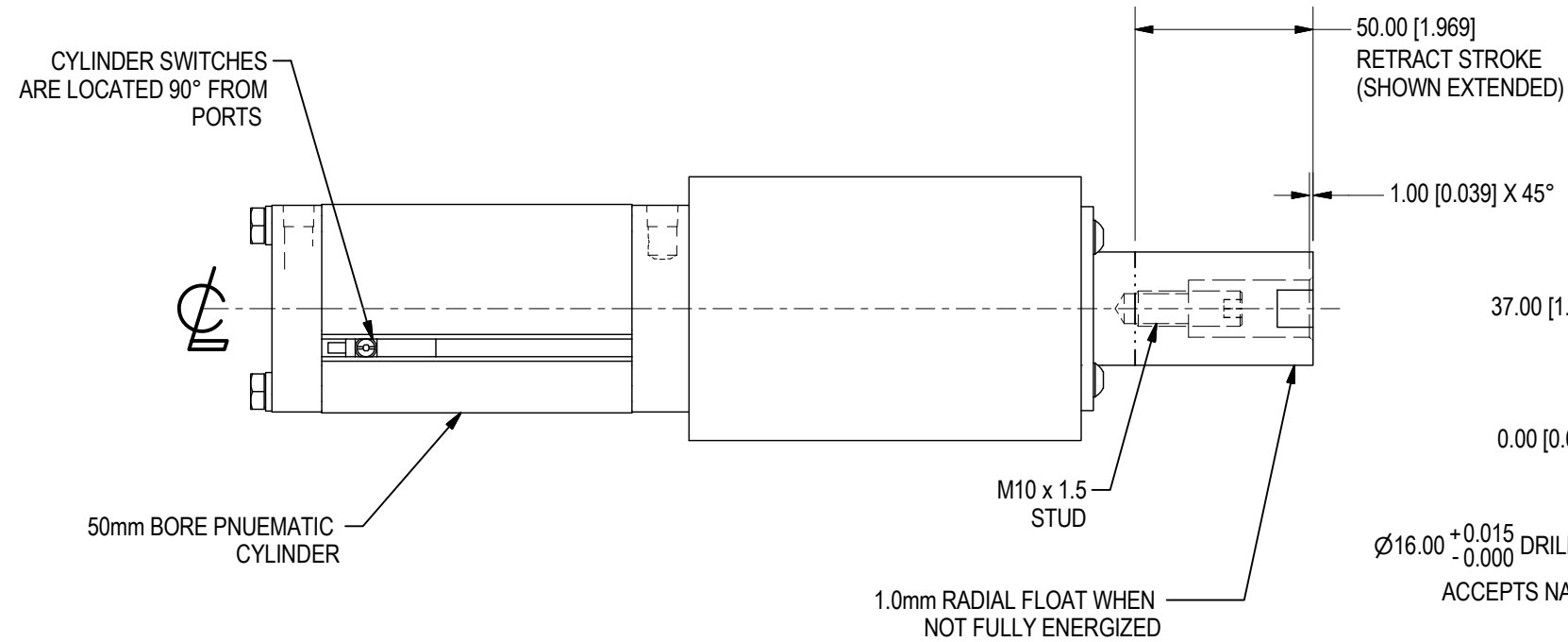
SYM	CHANGES	DATE	BY
-----	---------	------	----



	NOTICE: THIS DRAWING IS PROPERTY OF E&E CUSTOM PRODUCTS INCLUDING THE PRINCIPLES OF THE DESIGN INVOLVED, AND IS SUBMITTED WITH AGREEMENT THAT IT IS NOT TO BE REPRODUCED, COPIED, OR LOANED, IN PART OR WHOLE, ACCEPTANCE OF THIS DRAWING WILL BE CONSTRUED AS AN AGREEMENT TO THE ABOVE		
	TITLE FLOATING SHOT PIN		
PART NO.			
DRAWN BY:	CHK'D BY:	APPR'D BY:	
DATE:	DATE:	DATE:	
SCALE: 1/2	DWG. NO.	FSP-TEMPLATE	
SHT 1 OF 2			

7200 MILLER DR.
WARREN, MI 48092
EE-CP.COM

SYM	CHANGES	DATE	BY
-----	---------	------	----



50MM STROKE SHOWN
(SEE SHT 1 FOR 25MM STROKE DIMENSIONS)

WEIGHT = 6.0lbs

<p>7200 MILLER DR. WARREN, MI 48092 EE-CP.COM</p>	NOTICE: THIS DRAWING IS PROPERTY OF E&E CUSTOM PRODUCTS INCLUDING THE PRINCIPLES OF THE DESIGN INVOLVED, AND IS SUBMITTED WITH AGREEMENT THAT IT IS NOT TO BE REPRODUCED, COPIED, OR LOANED, IN PART OR WHOLE, ACCEPTANCE OF THIS DRAWING WILL BE CONSTRUED AS AN AGREEMENT TO THE ABOVE		
	TITLE FLOATING SHOT PIN		
	PART NO.		
	DRAWN BY:	CHK'D BY:	APPR'D BY:
	DATE:	DATE:	DATE:
SCALE: 1/2	DWG. NO. FSP-TEMPLATE		
SHT 2 OF 2			