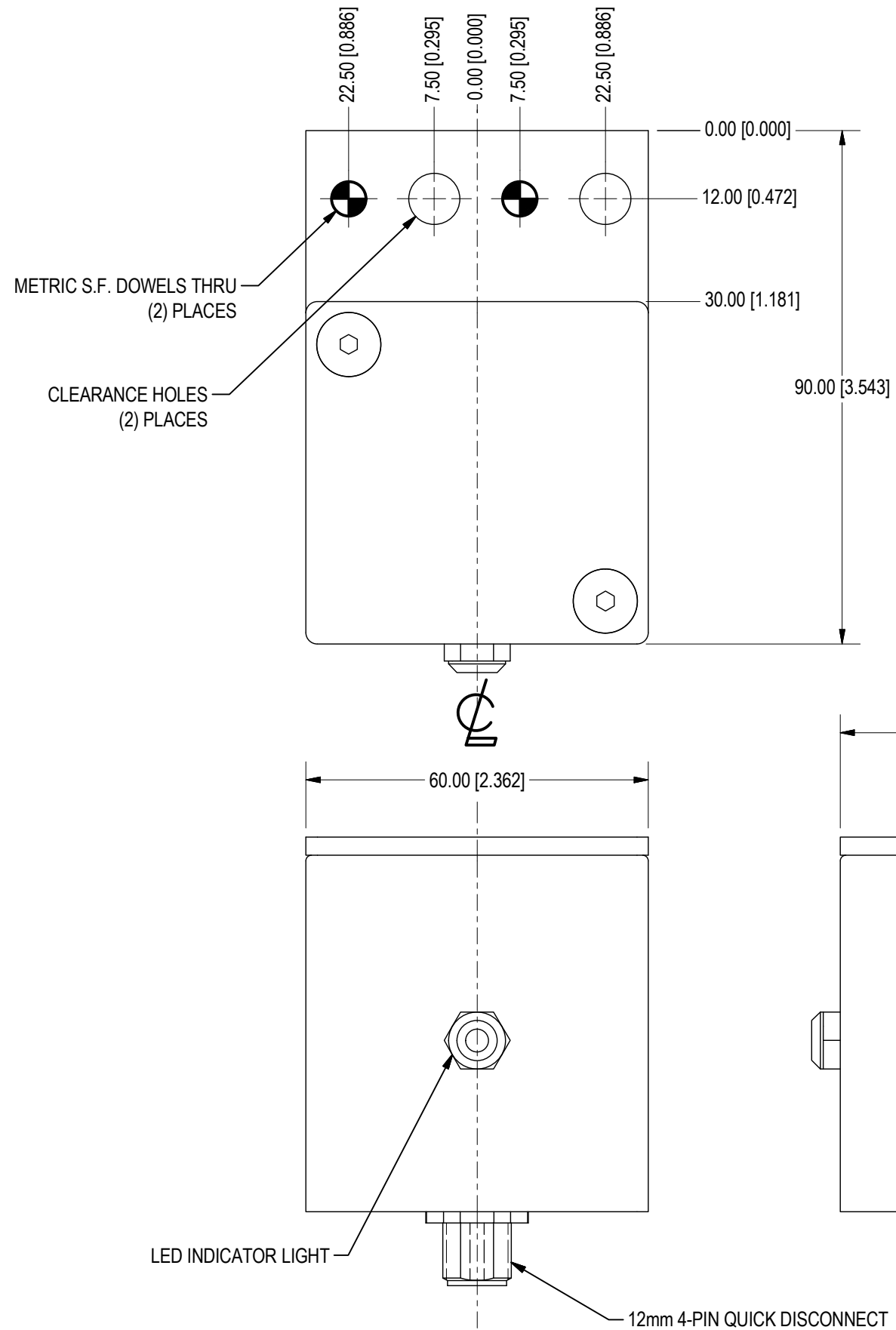


SYM	CHANGES	DATE	BY
-----	---------	------	----



PRODUCT INFORMATION

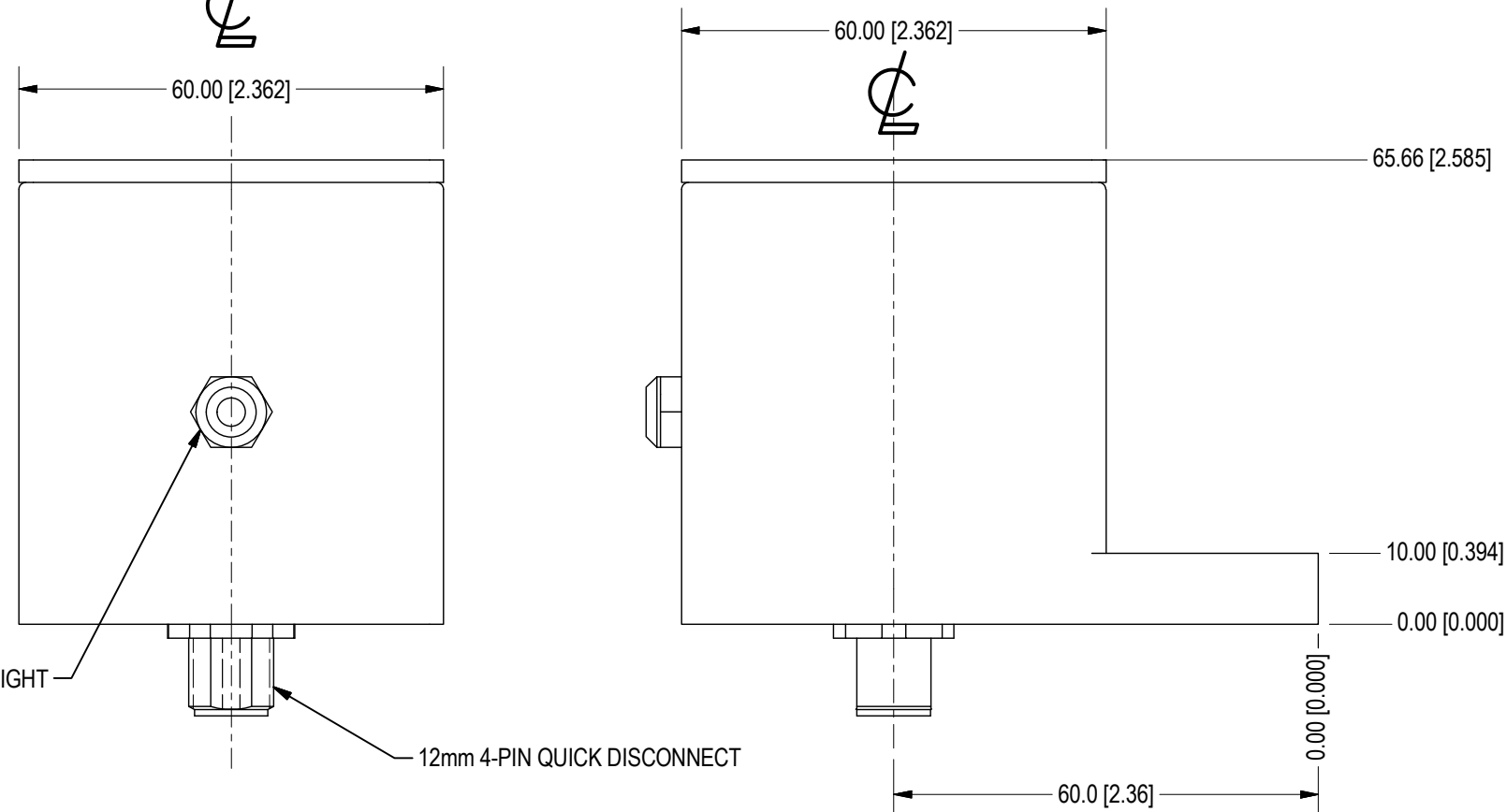
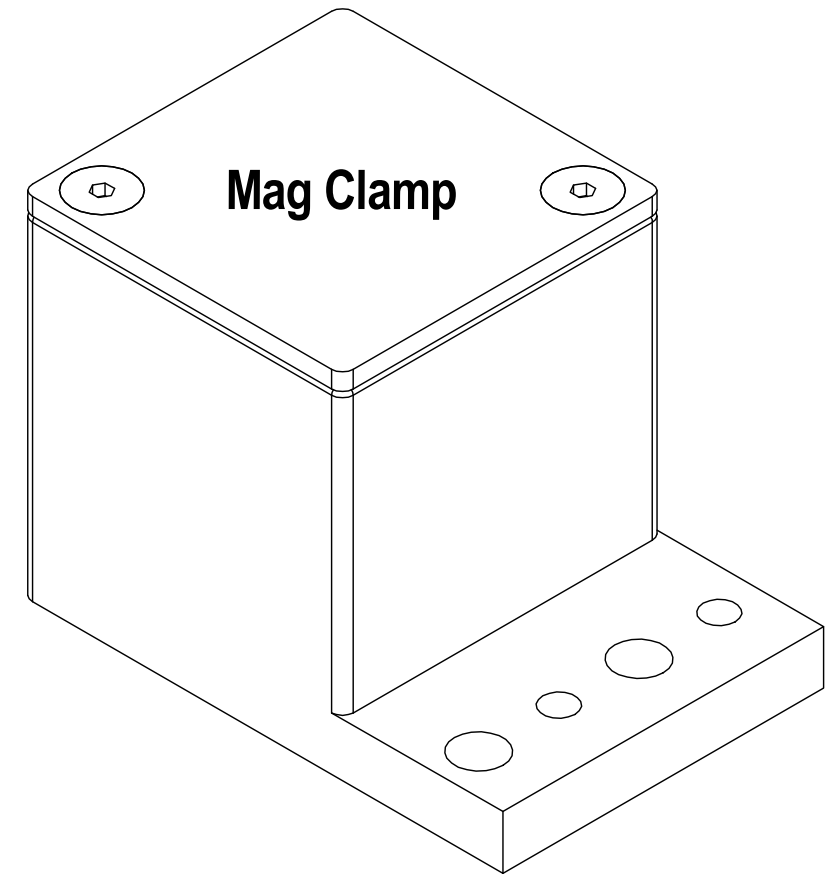
POWER: 24V DC
 AMPERAGE: 0.27
 WORK HOLDING FORCE: 15.5KG / 34 lbs.
 ON POSITION LED INDICATOR LIGHT
 12mm 4-PIN QUICK DISCONNECT

ORDERING INFORMATION

MC15 - D C

Dowels _____
 D06, D08 (Dowels are Nominal)

Holes _____
 C09, C11 Clearance holes



TOTAL WEIGHT = 0.90 kg

<p>7200 MILLER DR. WARREN, MI 48092 EE-CP.COM</p>	<small>NOTICE: THIS DRAWING IS PROPERTY OF E&E CUSTOM PRODUCTS INCLUDING THE PRINCIPLES OF THE DESIGN INVOLVED, AND IS SUBMITTED WITH AGREEMENT THAT IT IS NOT TO BE REPRODUCED, COPIED, OR LOANED, IN PART OR WHOLE, ACCEPTANCE OF THIS DRAWING WILL BE CONSTRUED AS AN AGREEMENT TO THE ABOVE</small>		
	TITLE ELECTRIC MAGNET CLAMP		
	PART NO.		
	DRAWN BY: EE	CHK'D BY: EE	APPR'D BY: EE
DATE: 10/14/2020	DATE: 11/5/2020	DATE: 11/5/2020	
SCALE: 1:1	DWG. NO. MC15-TEMPLATE		
SHT 1 OF 1			