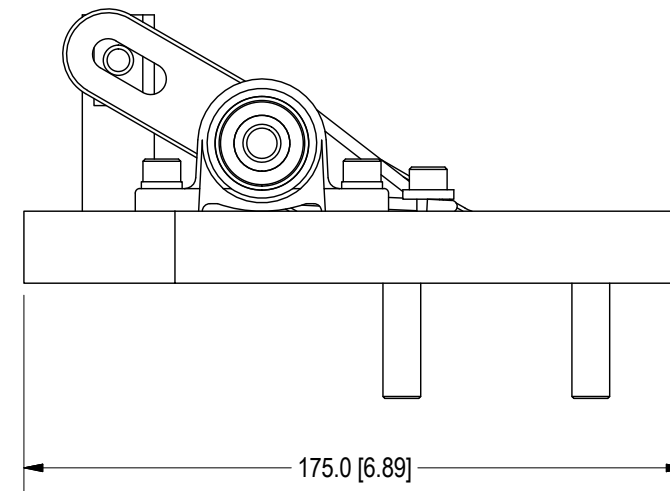
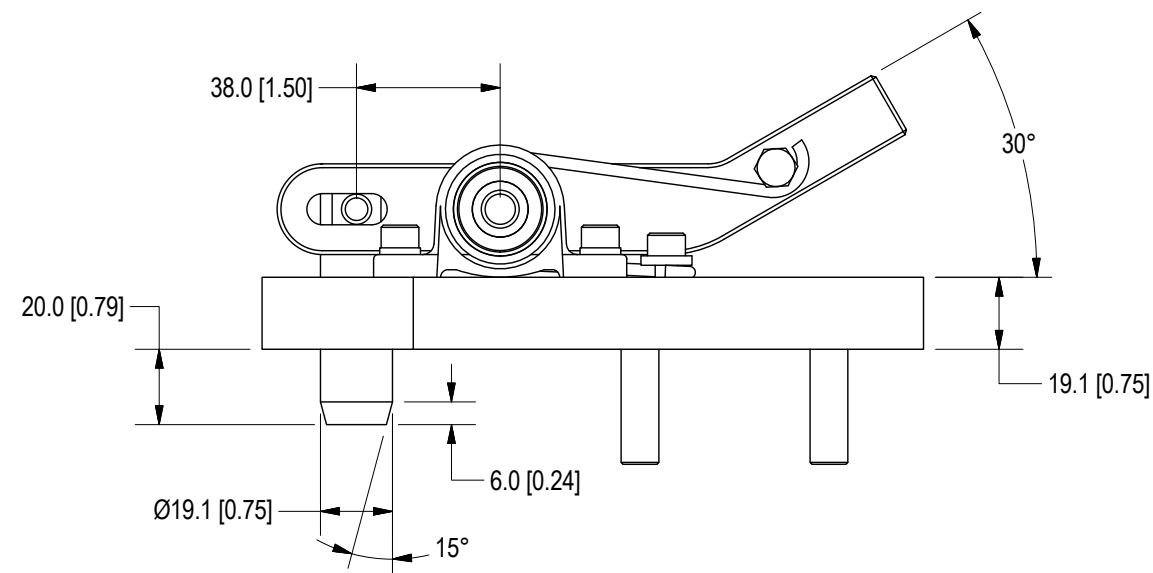
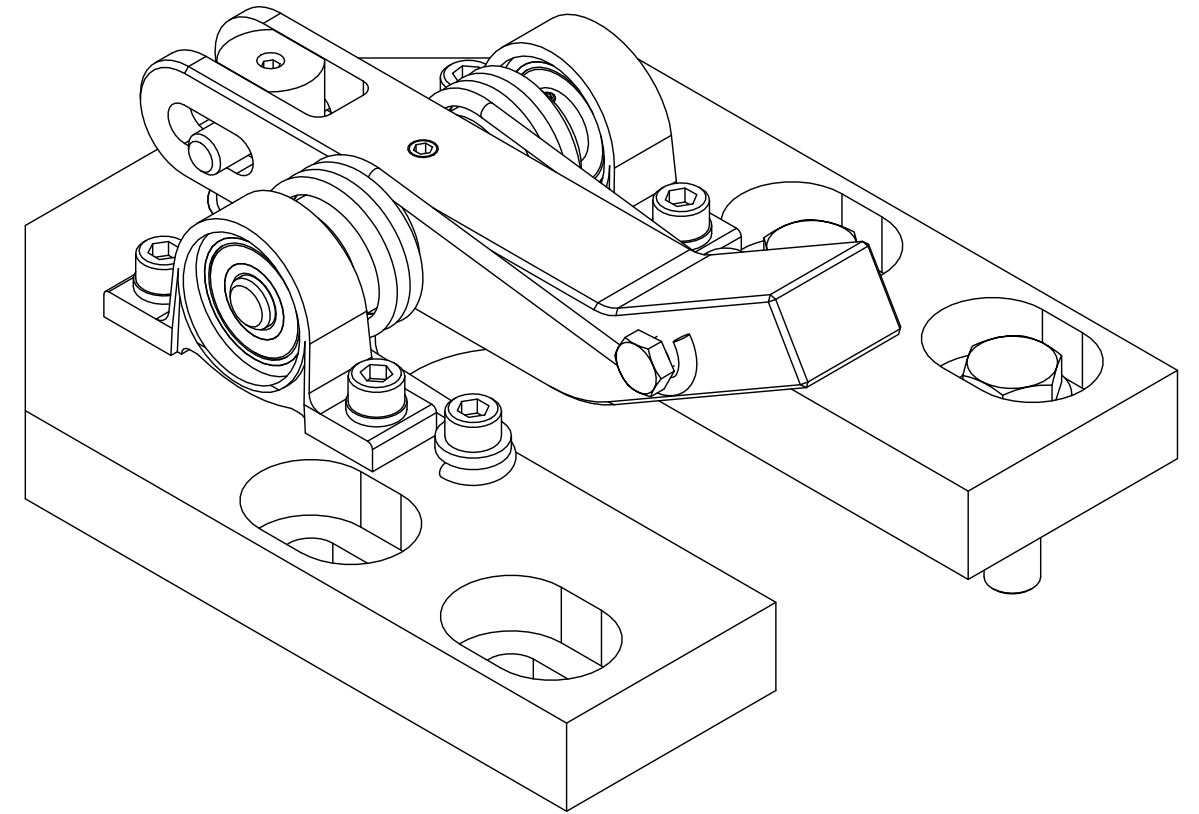
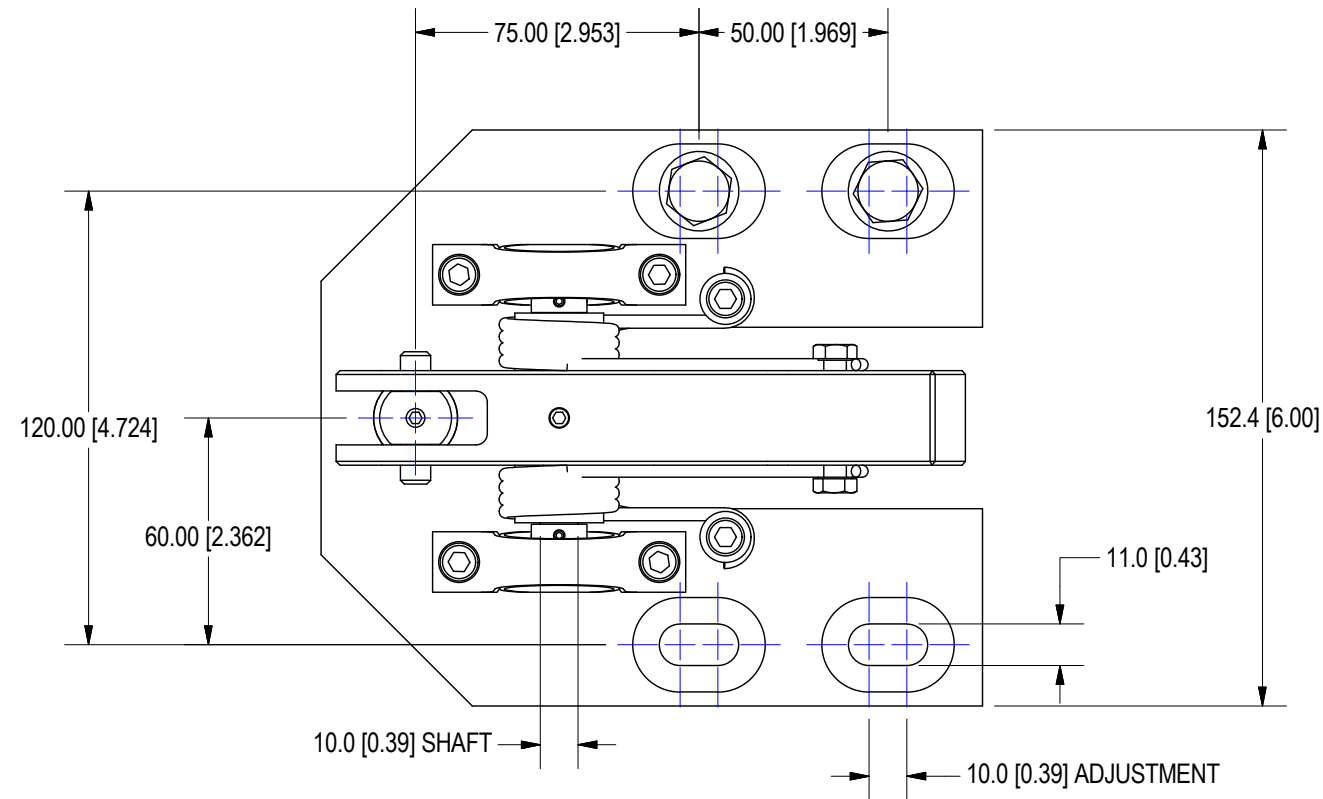


# ORDER AS: CP039

| SYM | CHANGES | DATE | BY |
|-----|---------|------|----|
|     |         |      |    |



**ESTIMATED SPRING  
FORCE AT PIN:  
15lbf EXTENDED  
34lbf RETRACTED**

|  |   |  |   |   |   |  |  |
|--|---|--|---|---|---|--|--|
| <p>IF CAD DRAWN, MANUAL CHANGES ARE PROHIBITED</p> <p>UNLESS OTHERWISE SPECIFIED:<br/>.02 RAD. MAX. ON ALL INSIDE CORNERS</p> <p>REMOVE ALL BURRS AND BREAK SHARP EDGES</p> <p>CHAMFER ALL TAPPED HOLES 45° TO .03 OVER TAP SIZE</p> | <p><b>GEOMETRIC DRAWING SYMBOLS</b></p> <ul style="list-style-type: none"> <li>— FLAT</li> <li>— STRAIGHT</li> <li>∠ ANGULAR</li> <li>⊥ SQUARE</li> <li>// PARALLEL</li> <li>○ ROUND</li> <li>⊘ CYLINDRICAL</li> <li>◎ COCENTRIC</li> <li>— PROFILE OF A LINE</li> <li>— PROFILE OF A SURFACE</li> <li>⊕ TRUE POSITION</li> <li>≡ SYMMETRICAL</li> <li>↗ RUNOUT CIR.</li> <li>↗ TOTAL RUNOUT</li> <li>.000 BASIC DIM.</li> <li>(.000) REF DIM.</li> <li>Ⓜ MAXIMUM MATERIAL CONDITION (MMC)</li> <li>Ⓟ REGARDLESS OF FEATURE SIZE (RFS)</li> <li>Ⓢ PROJECTED TOLERANCE ZONE</li> </ul> | <p><b>INCH</b></p> <p>3RD ANGLE PROJECTION<br/><b>DO NOT SCALE</b></p>                       |   | <p><b>E &amp; E</b><br/>CUSTOM PRODUCTS</p> <p>7200 MILLER DR.<br/>WARREN, MI 48092<br/>EE-CP.COM</p> | <p>NOTICE: THIS DRAWING IS PROPERTY OF E&amp;E CUSTOM PRODUCTS INCLUDING THE PRINCIPLES OF THE DESIGN INVOLVED, AND IS SUBMITTED WITH AGREEMENT THAT IT IS NOT TO BE REPRODUCED, COPIED, OR LOANED, IN PART OR WHOLE. ACCEPTANCE OF THIS DRAWING WILL BE CONSTRUED AS AN AGREEMENT TO THE ABOVE</p> |  |  |
|  |   | <p>TITLE    <b>SPRING PLUNGER</b></p>  |   |   |   |  |  |
|  |   | <p>PART NO.    CP039</p>   |   |   |   |  |  |
|  |   | <p>DRAWN BY:    E&amp;E</p> <p>DATE:    7/28/2020</p> <p>SCALE:    1/2</p> <p>SHT 1 OF 2</p> | <p>CHK'D BY:    E&amp;E</p> <p>DATE:    7/28/2020</p> |   | <p>APPR'D BY:    E&amp;E</p> <p>DATE:    7/28/2020</p>  |  |  |
| <p>DWG. NO.    CP039-TEMPLATE</p>  |   |  |   |   |   |  |  |