

SYM	CHANGES	DATE	BY
-----	---------	------	----

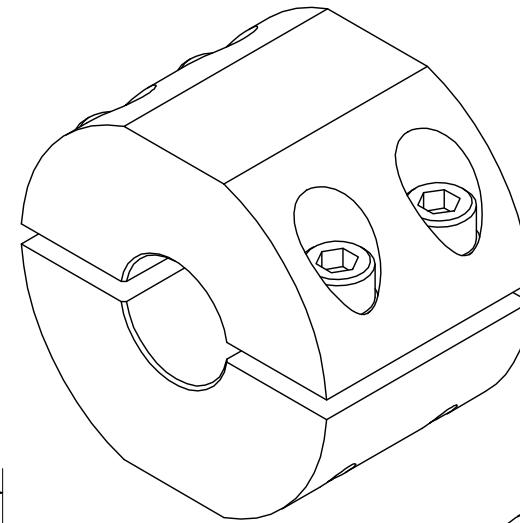
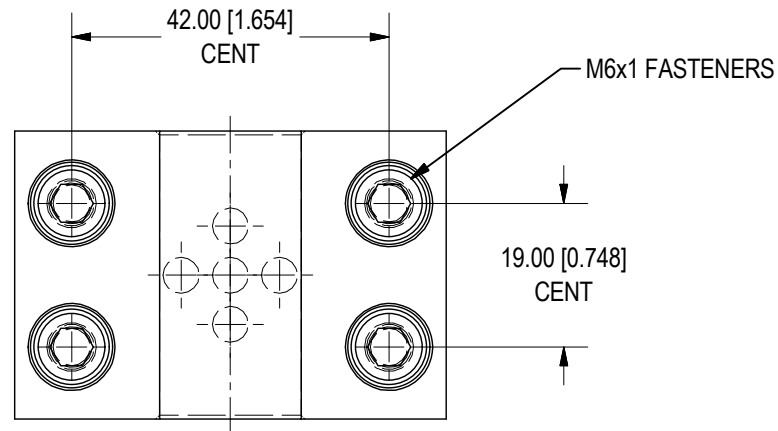
ORDERING INFORMATION

CP069 - - -

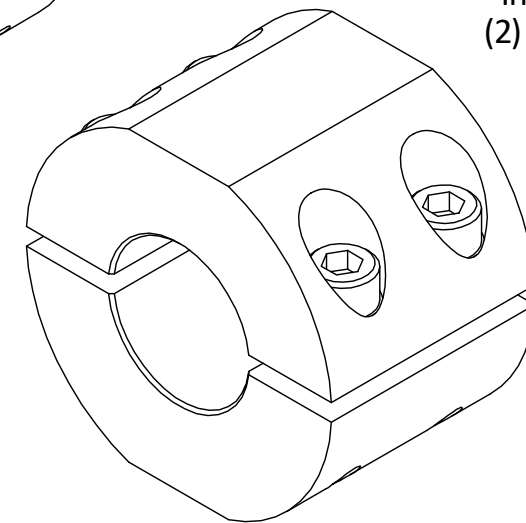
CENTER DIA
 190 = 19.0mm Approx Weight = 1.3lbs
 254 = 25.4mm Approx Weight = 1.2lbs
 318 = 31.8mm Approx Weight = 1.0lbs

Material = Steel
 N - No Finish
 B = Black Oxide
 O = Safety Orange

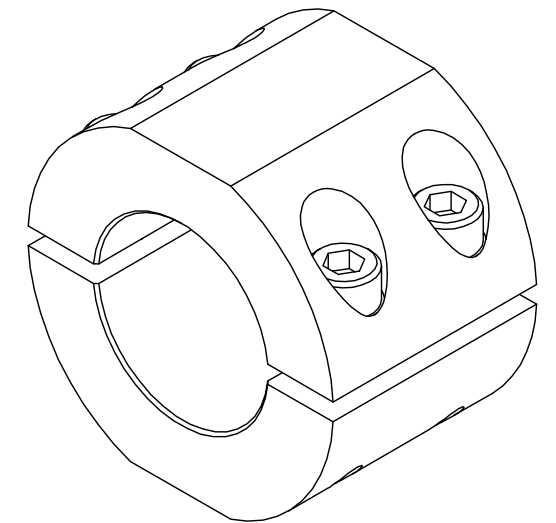
*Includes:
 (2) 3/16" DIA X 3/4" Roll Pin



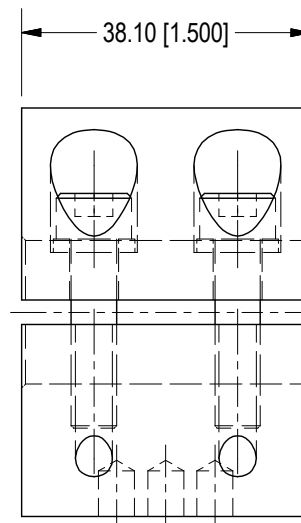
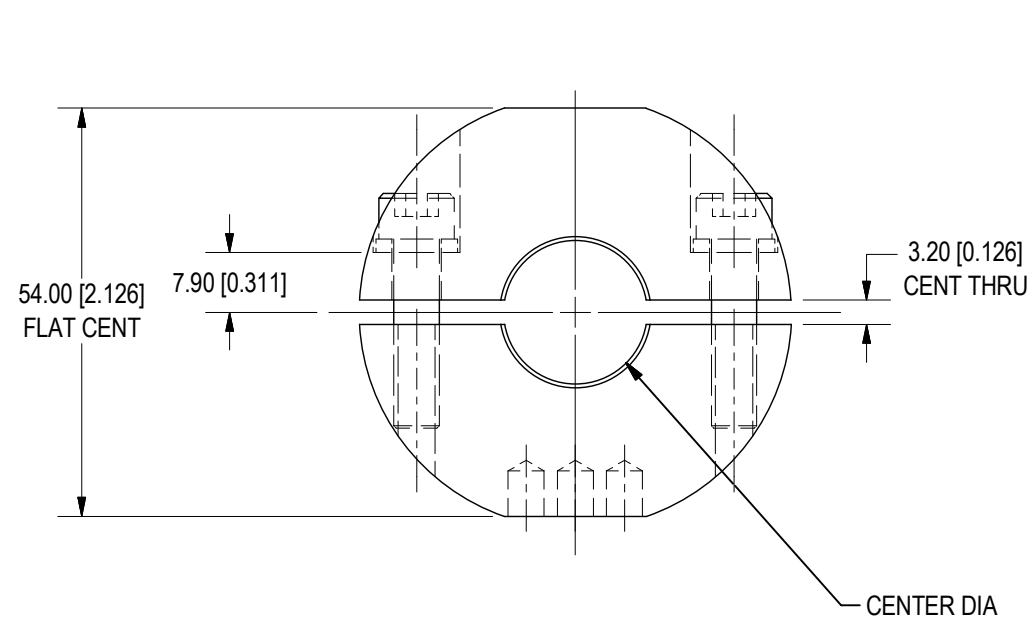
CP069-190



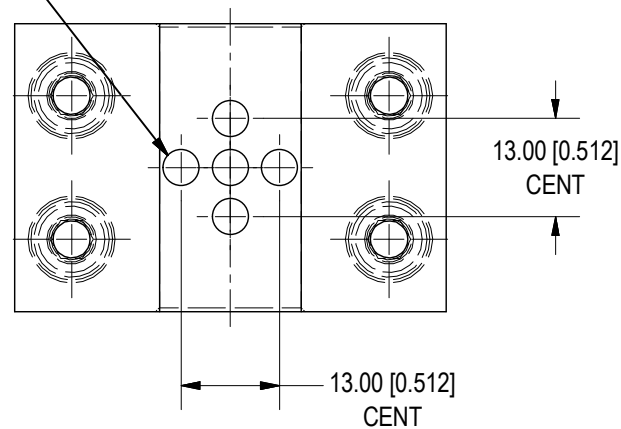
CP069-254



CP069-318



3/16" DIA ∇ 6.00
 (5) PLACES FOR ROLL PINS
 TO PROPERLY LOCATE COLLARS
 FOR WELDING



<p>E & E CUSTOM PRODUCTS</p>	<small>NOTICE: THIS DRAWING IS PROPERTY OF E&E CUSTOM PRODUCTS INCLUDING THE PRINCIPLES OF THE DESIGN INVOLVED, AND IS SUBMITTED WITH AGREEMENT THAT IT IS NOT TO BE REPRODUCED, COPIED, OR LOANED, IN PART OR WHOLE, ACCEPTANCE OF THIS DRAWING WILL BE CONSTRUED AS AN AGREEMENT TO THE ABOVE</small>		
	TITLE CLAMP COLLAR		
	PART NO.		
	DRAWN BY: EE	CHK'D BY: EC	APPR'D BY: MH
7200 MILLER DR. WARREN, MI 48092 EE-CP.COM	DATE: 3/25/2021	DATE: 4/21/2022	DATE: 4/21/2022
	SCALE: 1:1	DWG. NO. CP069-Template	
	SHT 1 OF 1		