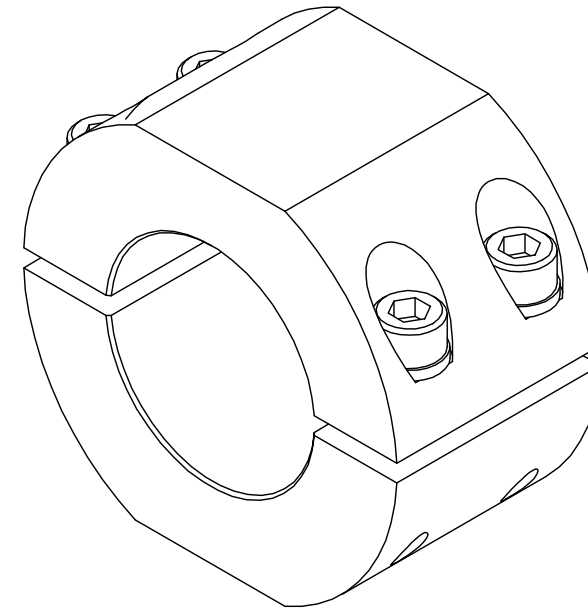
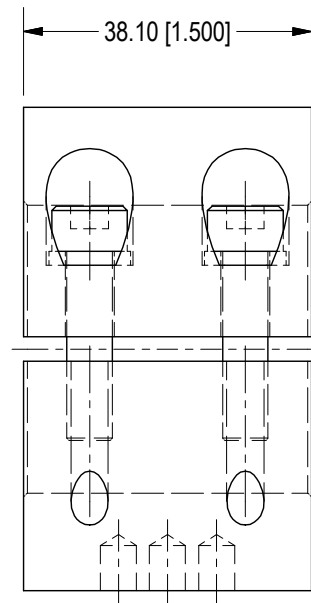
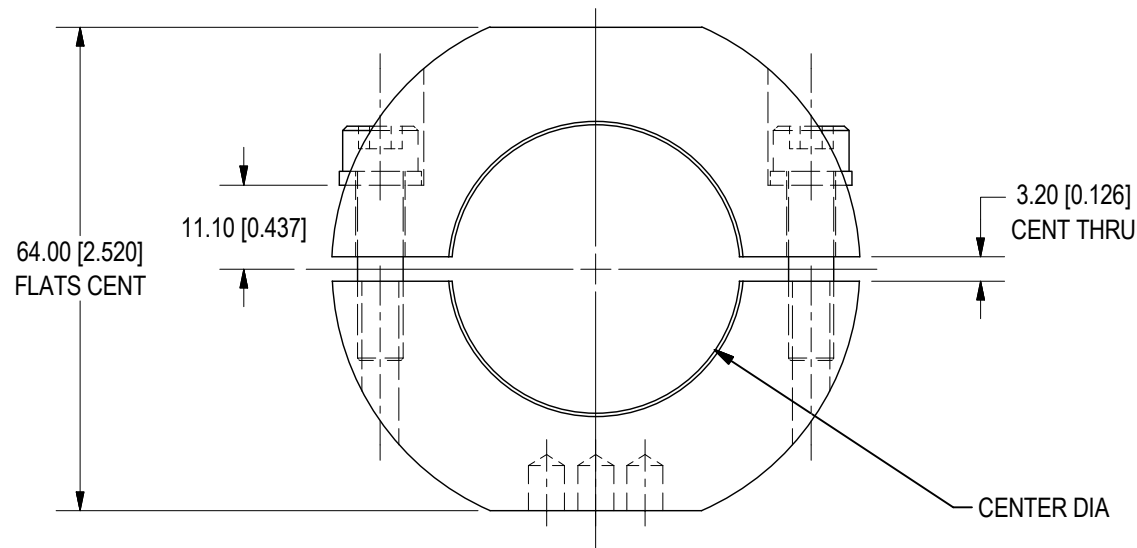
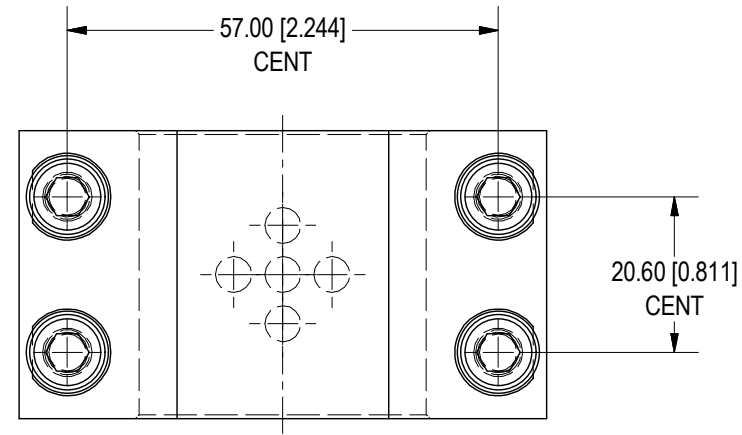


SYM	CHANGES	DATE	BY
-----	---------	------	----



CP070-381

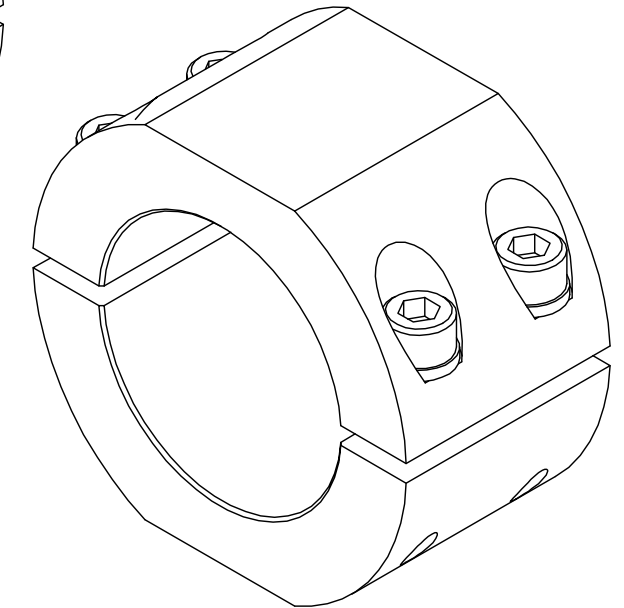
ORDERING INFORMATION

CP070 - [] - []

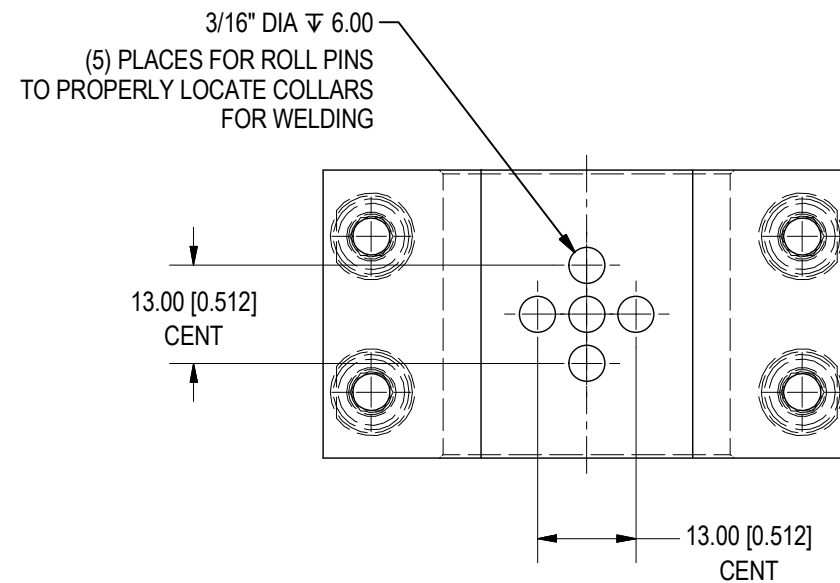
CENTER DIA _____
 381 = 38.1mm Approx Weight = 1.5lbs
 444 = 44.4mm Approx Weight = 1.3lbs

Material = Steel _____
 N = No Finish
 B = Black Oxide
 O = Safety Orange

*Includes:
 (2) 3/16" DIA X 3/8" Roll Pin



CP070-444



 7200 MILLER DR. WARREN, MI 48092 EE-CP.COM	NOTICE: THIS DRAWING IS PROPERTY OF E&E CUSTOM PRODUCTS INCLUDING THE PRINCIPLES OF THE DESIGN INVOLVED, AND IS SUBMITTED WITH AGREEMENT THAT IT IS NOT TO BE REPRODUCED, COPIED, OR LOANED, IN PART OR WHOLE, ACCEPTANCE OF THIS DRAWING WILL BE CONSTRUED AS AN AGREEMENT TO THE ABOVE		
	TITLE CLAMP COLLAR		
	PART NO.		
	DRAWN BY: EE	CHK'D BY: EC	APPR'D BY: MH
DATE: 3/25/2021	DATE: 12/9/2021	DATE: 12/9/2021	
SCALE: 1:1	DWG. NO. CP070-Template		
SHT 1 OF 1			