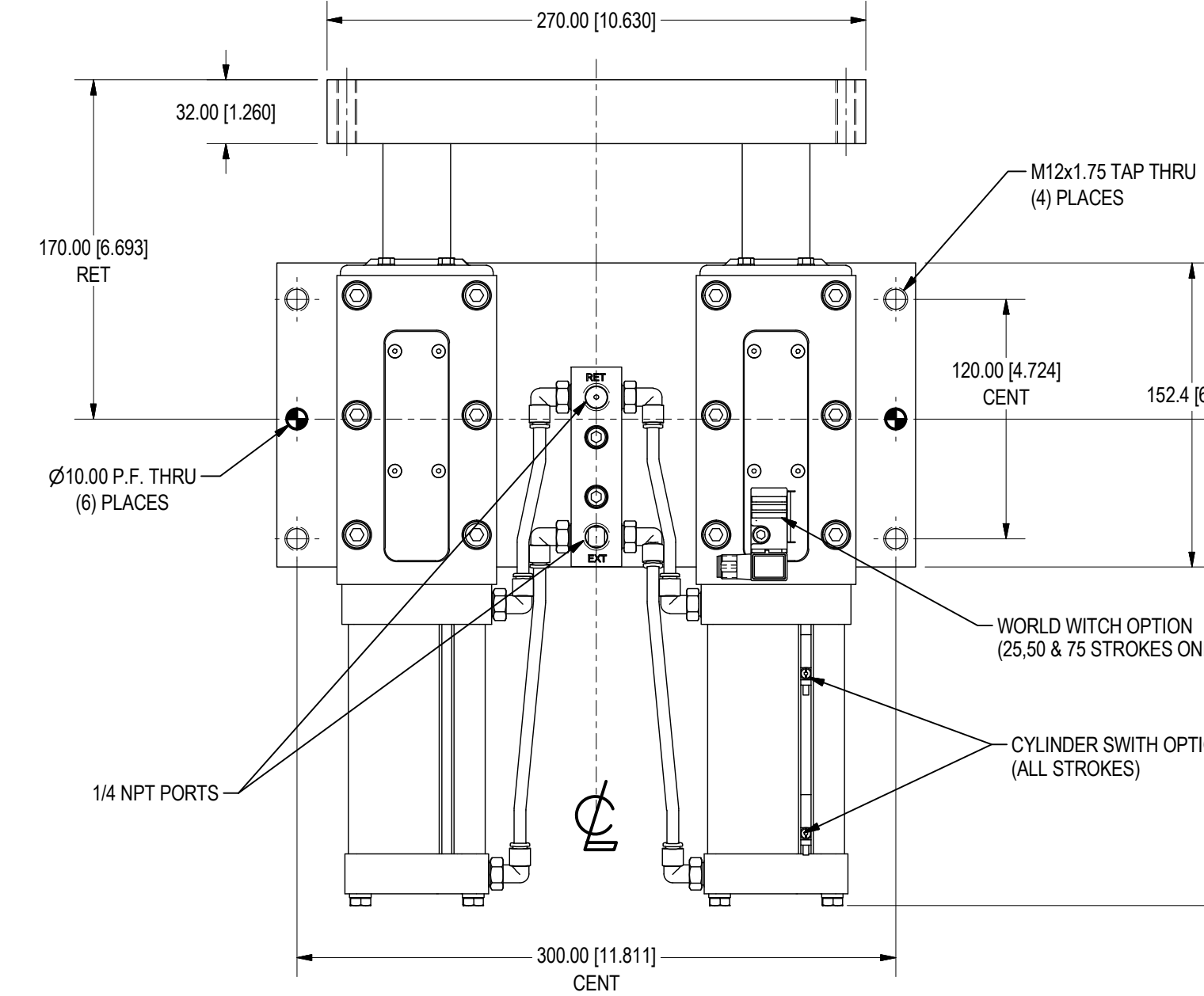
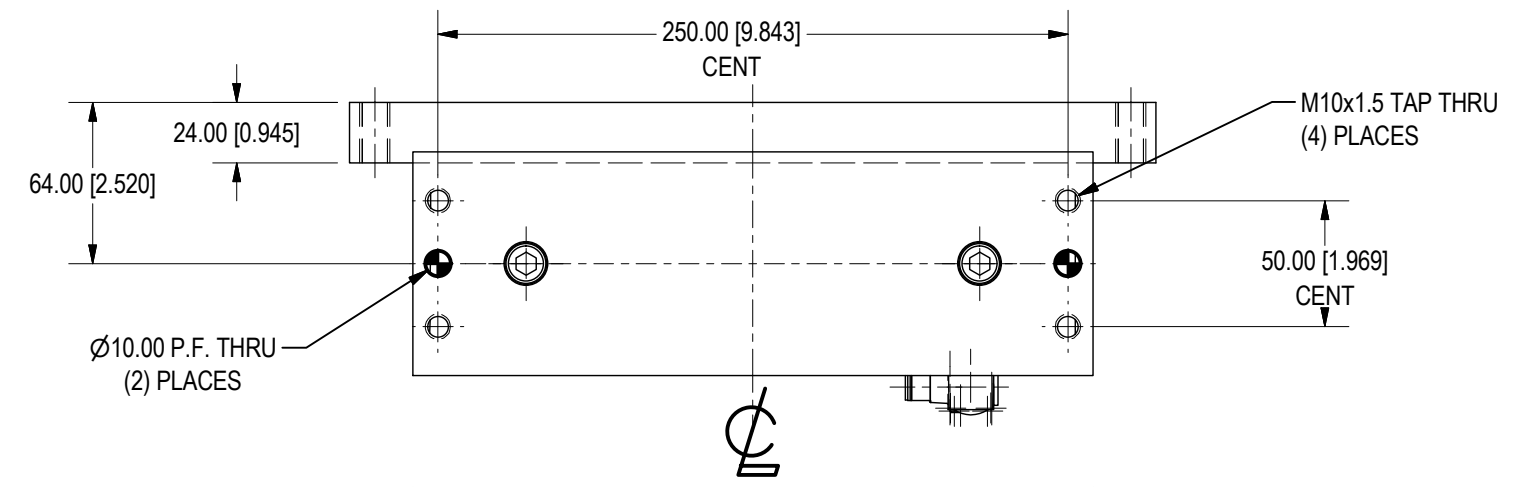


SYM	CHANGES	DATE	BY
-----	---------	------	----



ORDERING INFORMATION

DF34 - **N** **0** **0**

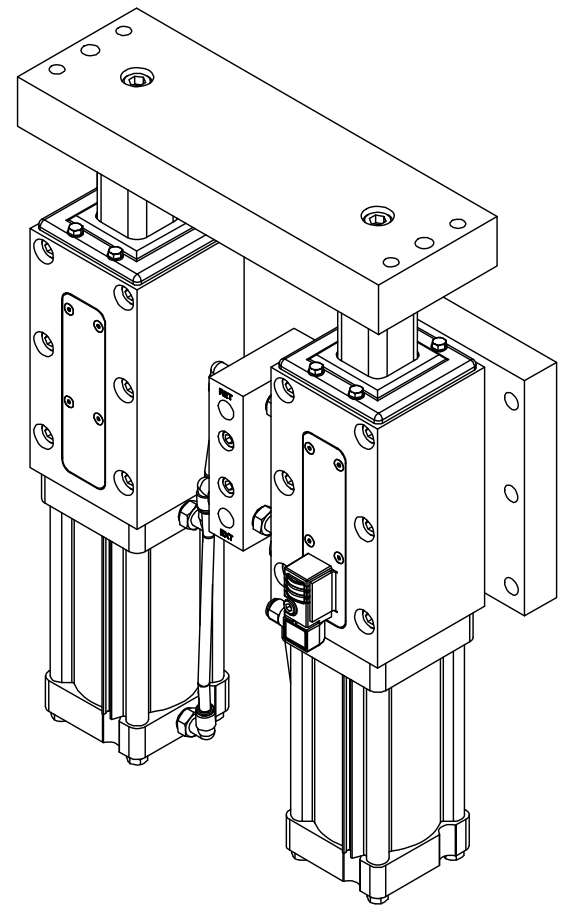
Stroke
025, 050, 075, 100, 125, 150mm

Actuator
N Pneumatic - NPT Ports

Switch
S Sick (Cylinder Switch Only)
(Standard) Weld immune
P Pepperl & Fuchs (World Switch Only)

Switch Position
E S01 Ext Pos
R S01 Ret Pos (Use Only If Required)

Switch Type
C Cylinder Switch (All Strokes)
W World Switch (25,50 & 75 Strokes only)



OPERATING PRESSURE - MIN 60psi = 578lbf [262.1kgf] EXT FORCE - 532lbf [241.27kgf] RETRACT FORCE
MAX 120psi = 1158lbf [525.17kgf] EXT FORCE - 1066lbf [483.45kgf] RETRACT FORCE

WEIGHTS =
62.0lbs for 25mm Stroke
65.0lbs for 50 & 75mm Strokes
69.0lbs for 100, 125 & 150mm Stroke

	<small>NOTICE: THIS DRAWING IS PROPERTY OF E&E CUSTOM PRODUCTS INCLUDING THE PRINCIPLES OF THE DESIGN INVOLVED, AND IS SUBMITTED WITH AGREEMENT THAT IT IS NOT TO BE REPRODUCED, COPIED, OR LOANED, IN PART OR WHOLE, ACCEPTANCE OF THIS DRAWING WILL BE CONSTRUED AS AN AGREEMENT TO THE ABOVE</small>		
	TITLE 34 SERIES DUAL FORCE SHOT PIN		
	PART NO.		
	DRAWN BY: EE	CHK'D BY: EC	APPR'D BY: MH
DATE: 5/7/2022	DATE: 6/17/2022	DATE: 6/17/2022	
SCALE: 1/3	DWG. NO. DF34-TEMPLATE-STELLANTIS		
SHT 1 OF 1			
7200 MILLER DR. WARREN, MI 48092 EE-CP.COM			