

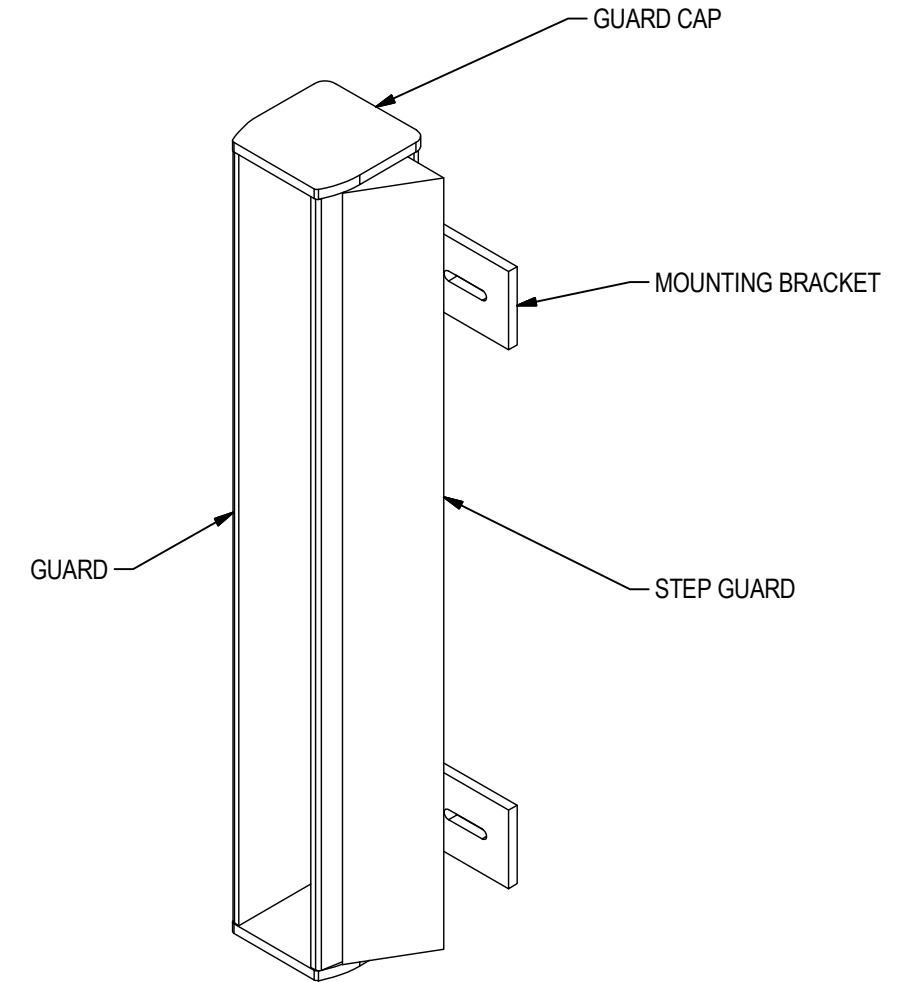
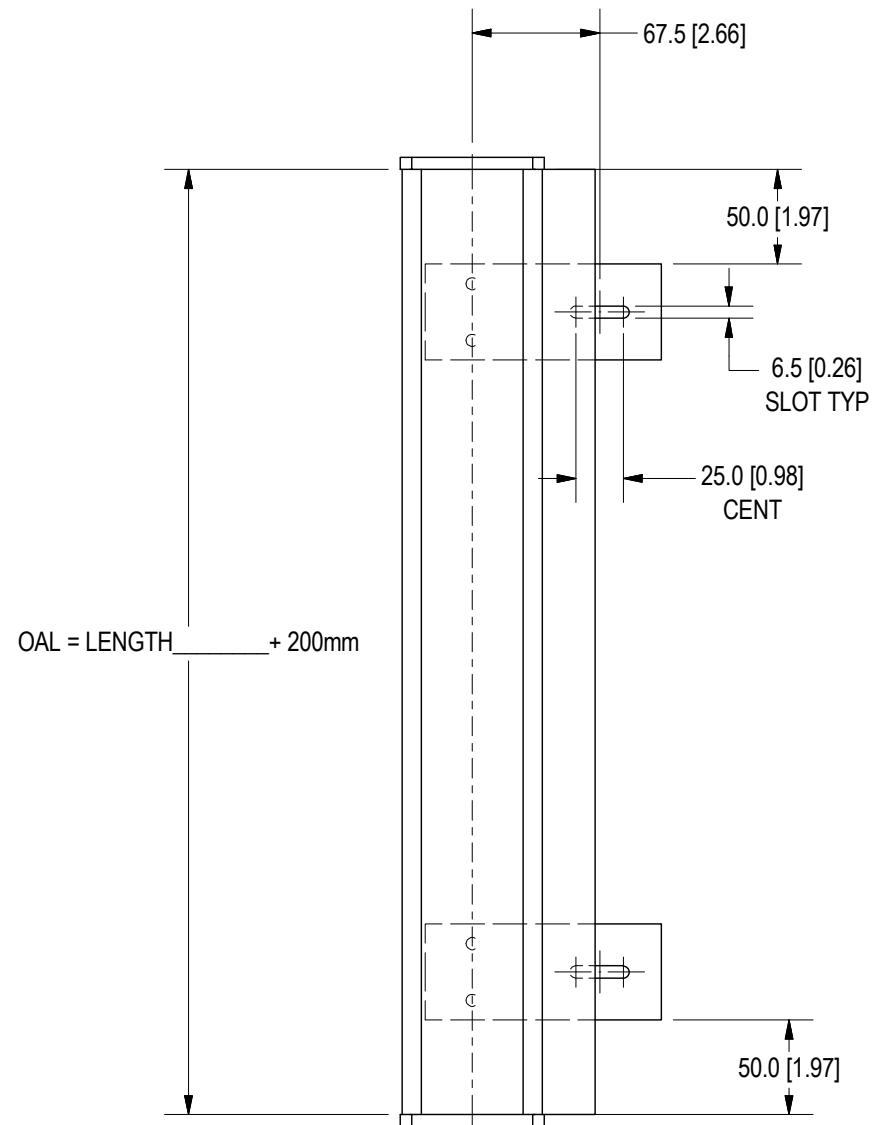
SYM	CHANGES	DATE	BY
-----	---------	------	----

**ORDERING INFORMATION**

FMH - [ ] [ ] [ ] [ ] 0 4 0

**Length**  
 0300 = 300  
 0300, 0600, 0900,  
 1200, 1500, 1800

INCLUDED IN ASSEMBLY:  
 (1) GUARD  
 (1) STEP GUARD  
 (2) GUARD CAPS  
 (2) MOUNTING BRACKETS



<p>7200 MILLER DR. WARREN, MI 48092 EE-CP.COM</p>	<small>NOTICE: THIS DRAWING IS PROPERTY OF E&amp;E CUSTOM PRODUCTS INCLUDING THE PRINCIPLES OF THE DESIGN INVOLVED, AND IS SUBMITTED WITH AGREEMENT THAT IT IS NOT TO BE REPRODUCED, COPIED, OR LOANED, IN PART OR WHOLE, ACCEPTANCE OF THIS DRAWING WILL BE CONSTRUED AS AN AGREEMENT TO THE ABOVE</small>		
	TITLE FENCE MOUNT LIGHT SCREEN GUARD		
	PART NO.		
	DRAWN BY:	CHK'D BY:	APPR'D BY:
DATE:	DATE:	DATE:	
SCALE: 1/4	DWG. NO. FMH-LENGTH-040 TEMPLATE		
SHT 1 OF 1			