

SYM	CHANGES	DATE	BY
-----	---------	------	----

ORDERING INFORMATION

FSP - [] [] [] N S [] E

Stroke
025 & 050

Actuator
N Pneumatic - NPT Ports

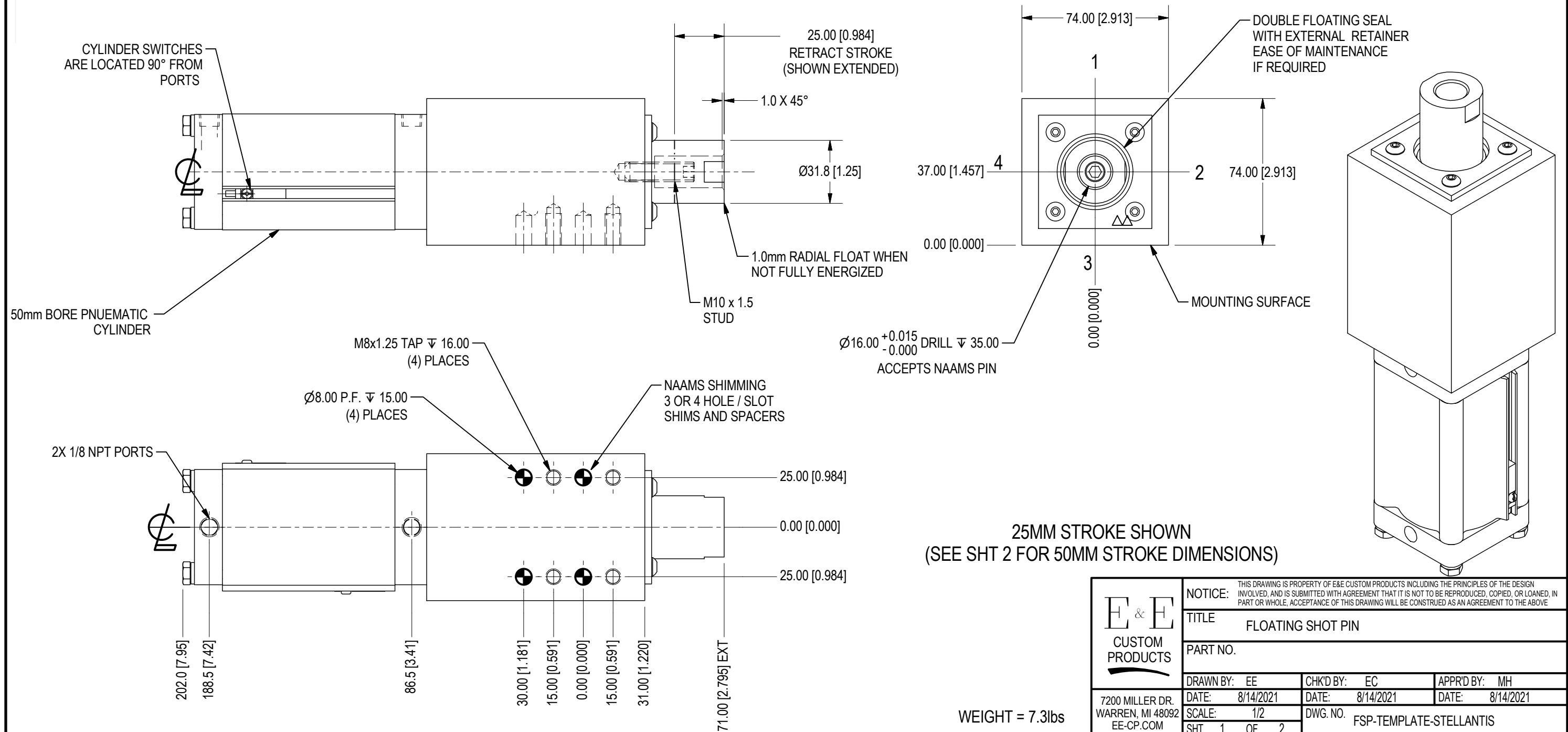
Switch
S Sick (Standard) Weld Immune

Switch Position
E S01 Ext Pos (Std)

Port Position
1 Port Position (Shown)
2 Port Position
3 Port Position
4 Port Position

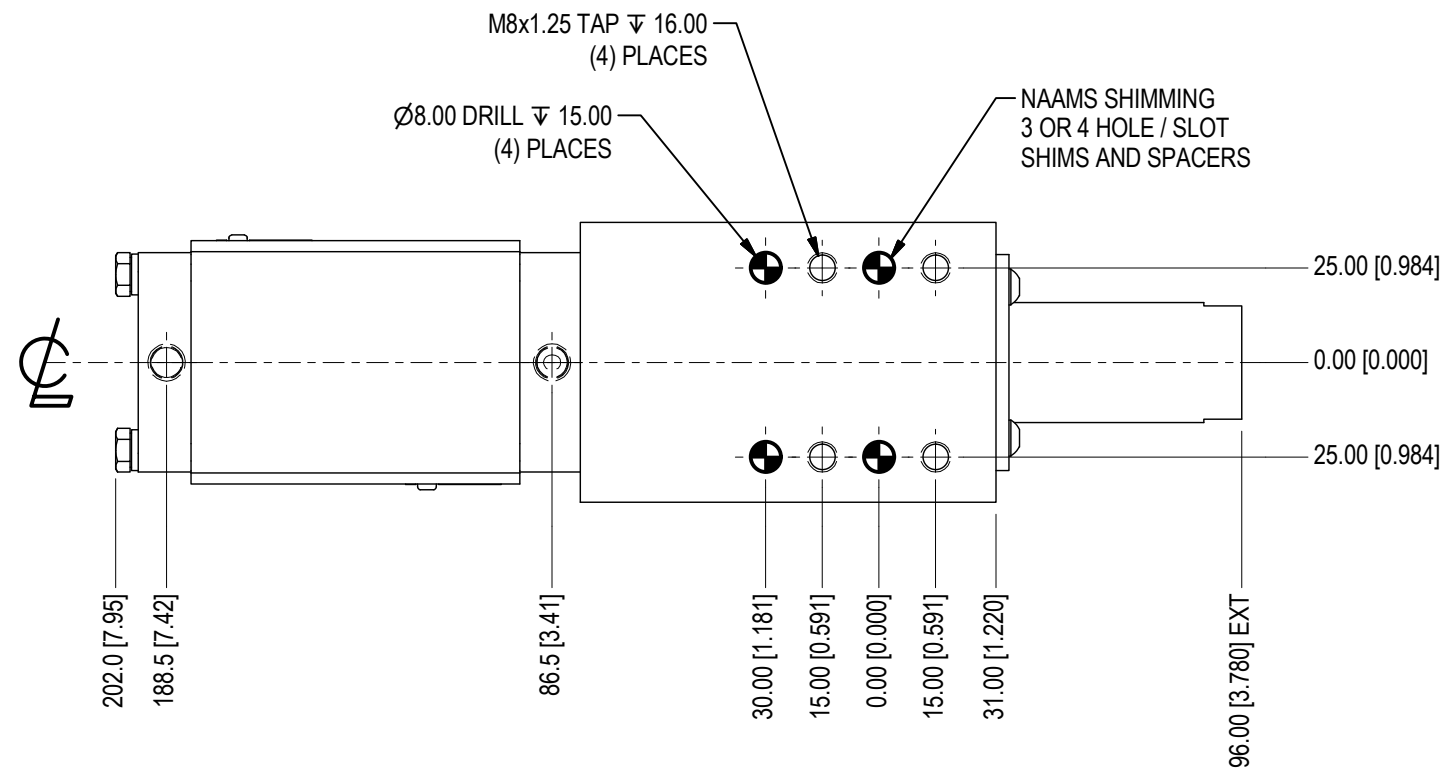
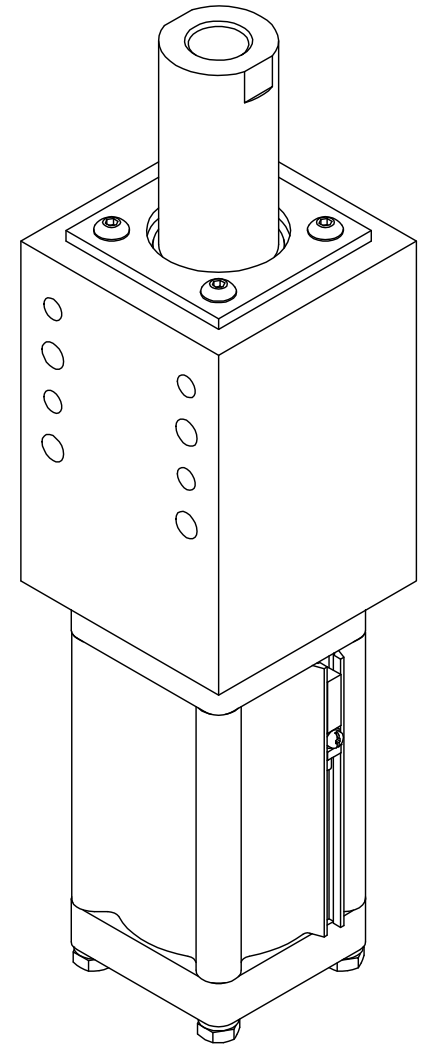
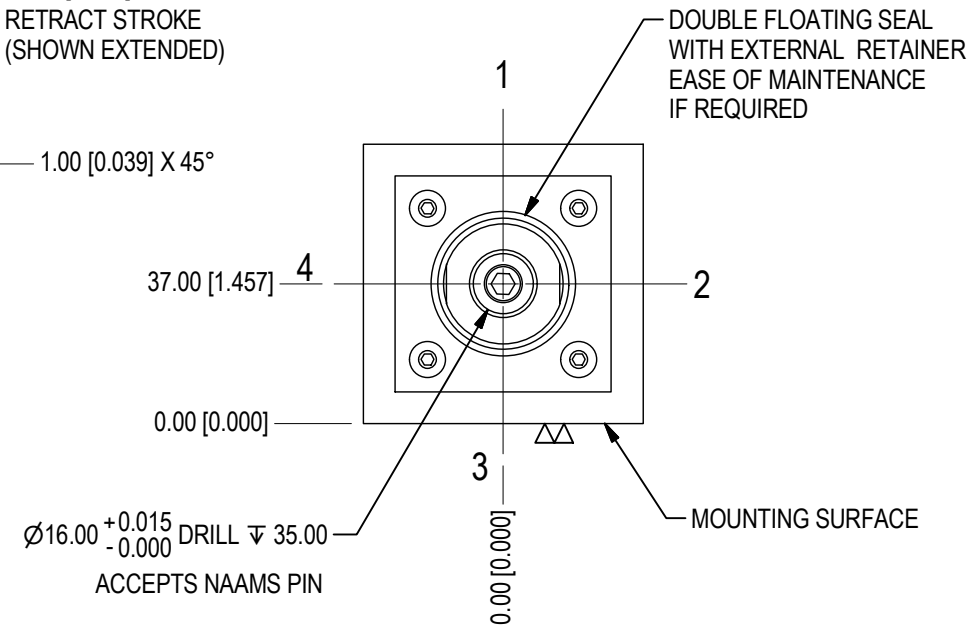
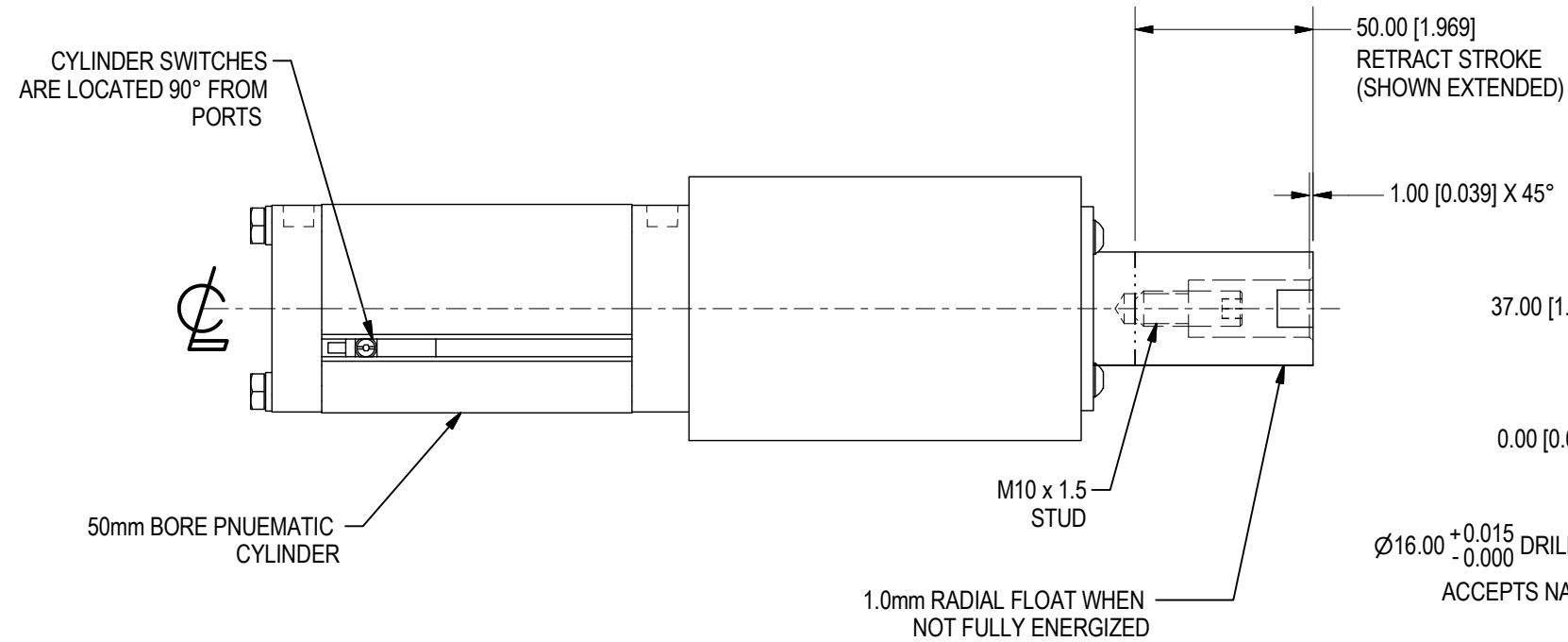
****ACCEPTS NAAMS STYLE PINS**
****25MM AND 50MM RETRACT**

PATENT PENDING



<p>E & E CUSTOM PRODUCTS</p> <p>7200 MILLER DR. WARREN, MI 48092 EE-CP.COM</p>	<p>NOTICE: THIS DRAWING IS PROPERTY OF E&E CUSTOM PRODUCTS INCLUDING THE PRINCIPLES OF THE DESIGN INVOLVED, AND IS SUBMITTED WITH AGREEMENT THAT IT IS NOT TO BE REPRODUCED, COPIED, OR LOANED, IN PART OR WHOLE, ACCEPTANCE OF THIS DRAWING WILL BE CONSTRUED AS AN AGREEMENT TO THE ABOVE</p>		
	<p>TITLE FLOATING SHOT PIN</p>		
	<p>PART NO.</p>		
	<p>DRAWN BY: EE</p> <p>DATE: 8/14/2021</p> <p>SCALE: 1/2</p> <p>SHT 1 OF 2</p>	<p>CHK'D BY: EC</p> <p>DATE: 8/14/2021</p> <p>DWG. NO. FSP-TEMPLATE-STELLANTIS</p>	<p>APPR'D BY: MH</p> <p>DATE: 8/14/2021</p>

SYM	CHANGES	DATE	BY
-----	---------	------	----



50MM STROKE SHOWN
(SEE SHT 1 FOR 25MM STROKE DIMENSIONS)

WEIGHT = 6.6lbs

<p>7200 MILLER DR. WARREN, MI 48092 EE-CP.COM</p>	NOTICE: THIS DRAWING IS PROPERTY OF E&E CUSTOM PRODUCTS INCLUDING THE PRINCIPLES OF THE DESIGN INVOLVED, AND IS SUBMITTED WITH AGREEMENT THAT IT IS NOT TO BE REPRODUCED, COPIED, OR LOANED, IN PART OR WHOLE, ACCEPTANCE OF THIS DRAWING WILL BE CONSTRUED AS AN AGREEMENT TO THE ABOVE		
	TITLE FLOATING SHOT PIN		
	PART NO.		
	DRAWN BY: EE	CHK'D BY: EC	APPR'D BY: MH
	DATE: 8/14/2021	DATE: 8/14/2021	DATE: 8/14/2021
SCALE: 1/2	DWG. NO. FSP-TEMPLATE-STELLANTIS		
SHT 2 OF 2			