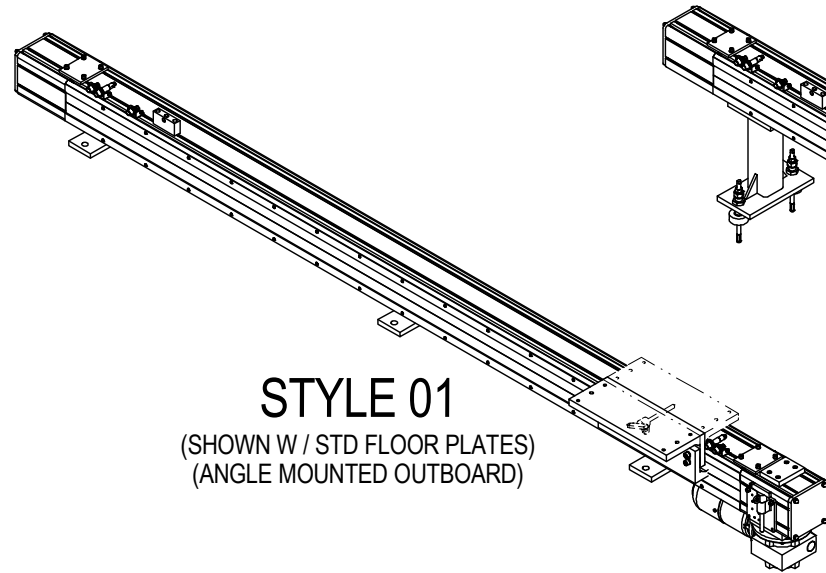


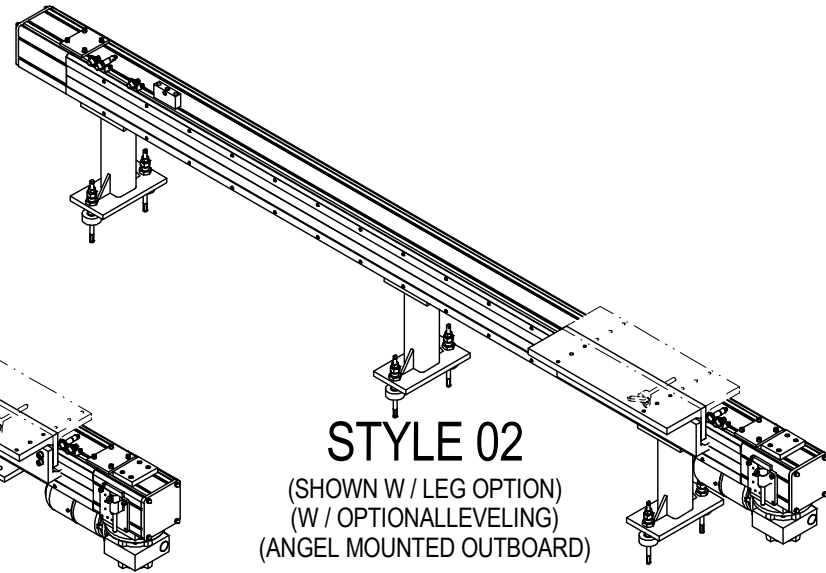
SYM	CHANGES	DATE	BY
-----	---------	------	----

**BELT SLIDE ORDERING INFORMATION**

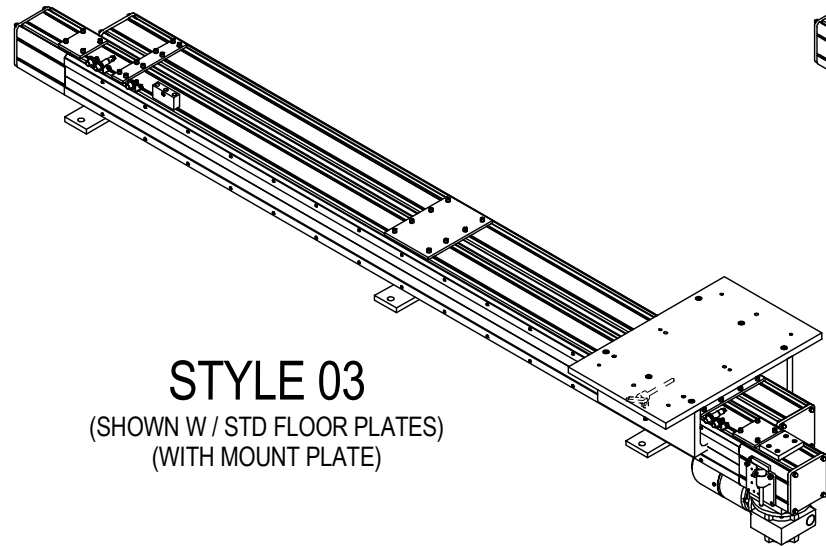
<p><b>Index</b> 1000 1000mm TO 4200mm (Standard) ON 400mm INCREMENTS STD</p> <p>Longer Index and custom index available upon request</p> <p><b>Style</b> 01 Single Ext (2 Bearing) 02 Single Ext (3 Bearing) 03 Double Ext (2 Bearing ) 04 Double Ext (3 Bearing) 05 Double Independent (2 Bearing ) 06 Double Independent (3 Bearing) 07 Push / Pull (2 Bearing ) 08 Push / Pull (3 Bearing)</p> <p><b>Angle Mounting</b> 00 None (Styles 03,04) IN (Mounted Inboard) OT (Mounted Outboard)</p> <p><b>Mounting Plate</b> N Narrow Plate Styles 03,04 W Wide Plate Styles 03,04 0 None</p>	<p><b>Motor Position</b> T Top (Orientations 2,3,4 only) B Bottom (Standard)</p> <p><b>Leveling</b> 0 None (Customer Supplied) L EMLJ-24075-FEC</p> <p><b>Switch</b> 0 None (Customer Supplied) E (E&amp;E Standard) T Turck</p> <p><b>Motor Orientation</b> 1 Motor @ Pos 1 (Shown) 2 Motor @ Pos 2 3 Motor @ Pos 3 4 Motor @ Pos 4</p> <p><b>Motor &amp; Gearbox</b> B 1 hp 7.5:1 Ratio E 1 hp 10:1 Ratio F 1 hp 15:1 Ratio</p> <p><b>Leg Height</b> 000 No legs (Standard Floor Plates) 350 (350mm to 900mm)</p>
--	---



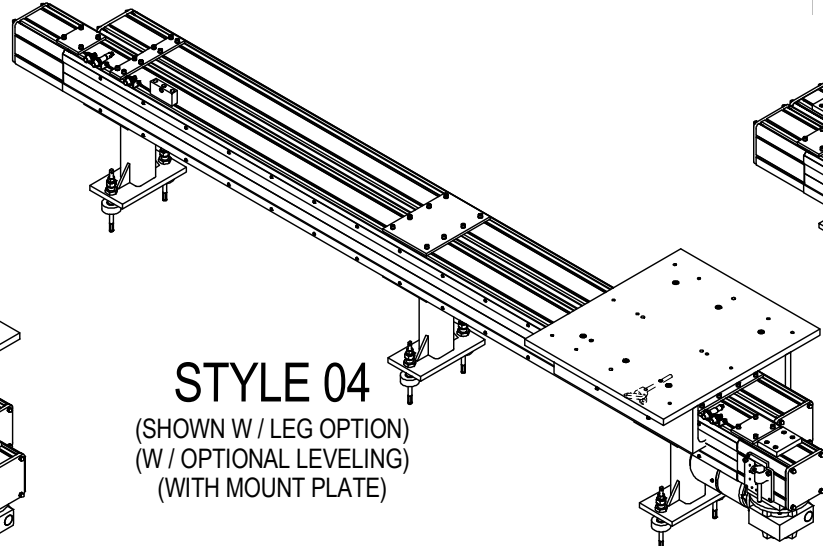
**STYLE 01**  
(SHOWN W / STD FLOOR PLATES)  
(ANGLE MOUNTED OUTBOARD)



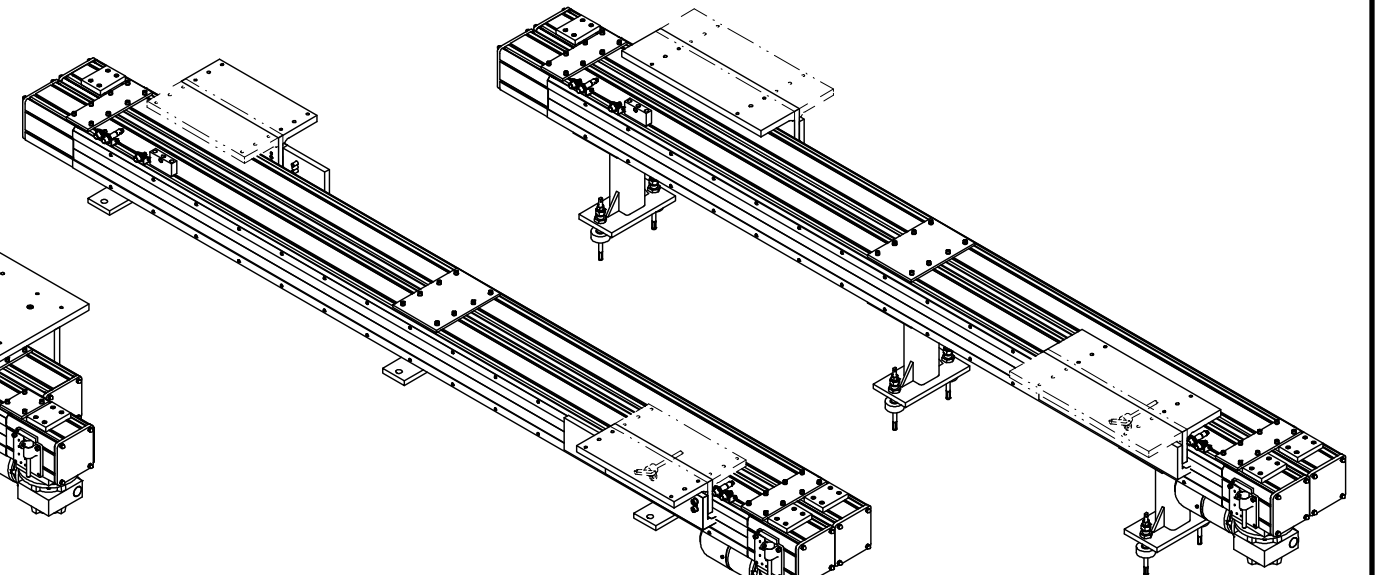
**STYLE 02**  
(SHOWN W / LEG OPTION)  
(W / OPTIONAL LEVELING)  
(ANGEL MOUNTED OUTBOARD)



**STYLE 03**  
(SHOWN W / STD FLOOR PLATES)  
(WITH MOUNT PLATE)

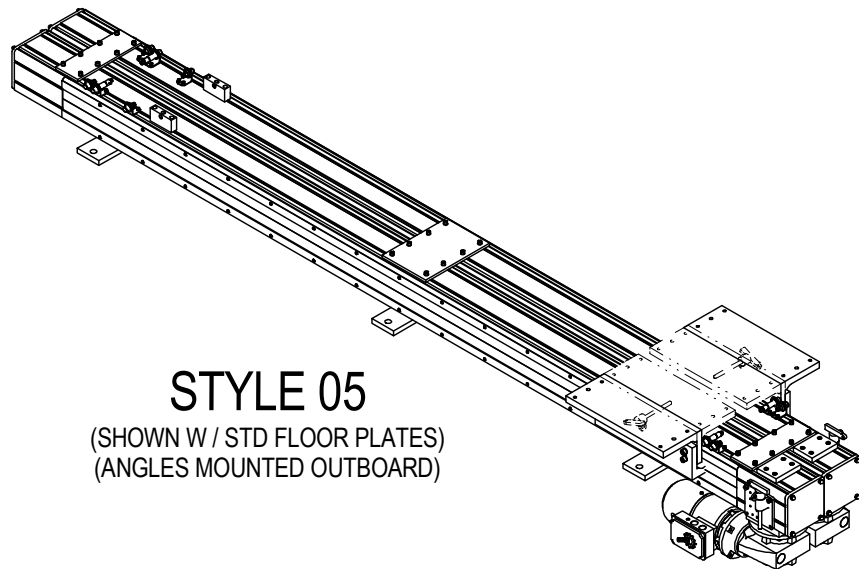


**STYLE 04**  
(SHOWN W / LEG OPTION)  
(W / OPTIONAL LEVELING)  
(WITH MOUNT PLATE)

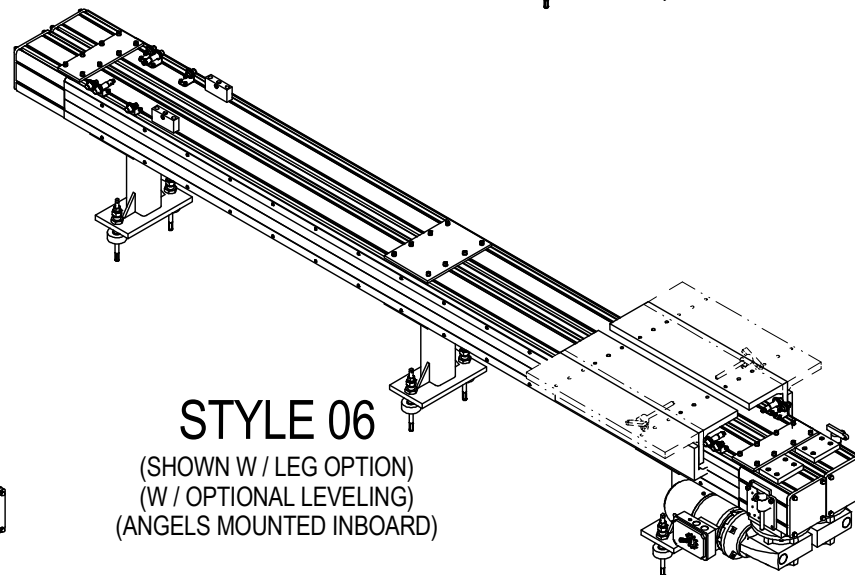


**STYLE 07**  
(SHOWN W / STD FLOOR PLATES)  
(ANGLES MOUNTED OUTBOARD)

**STYLE 08**  
(SHOWN W / LEG OPTION)  
(W / OPTIONAL LEVELING)  
(ANGLES MOUNTED INBOARD)



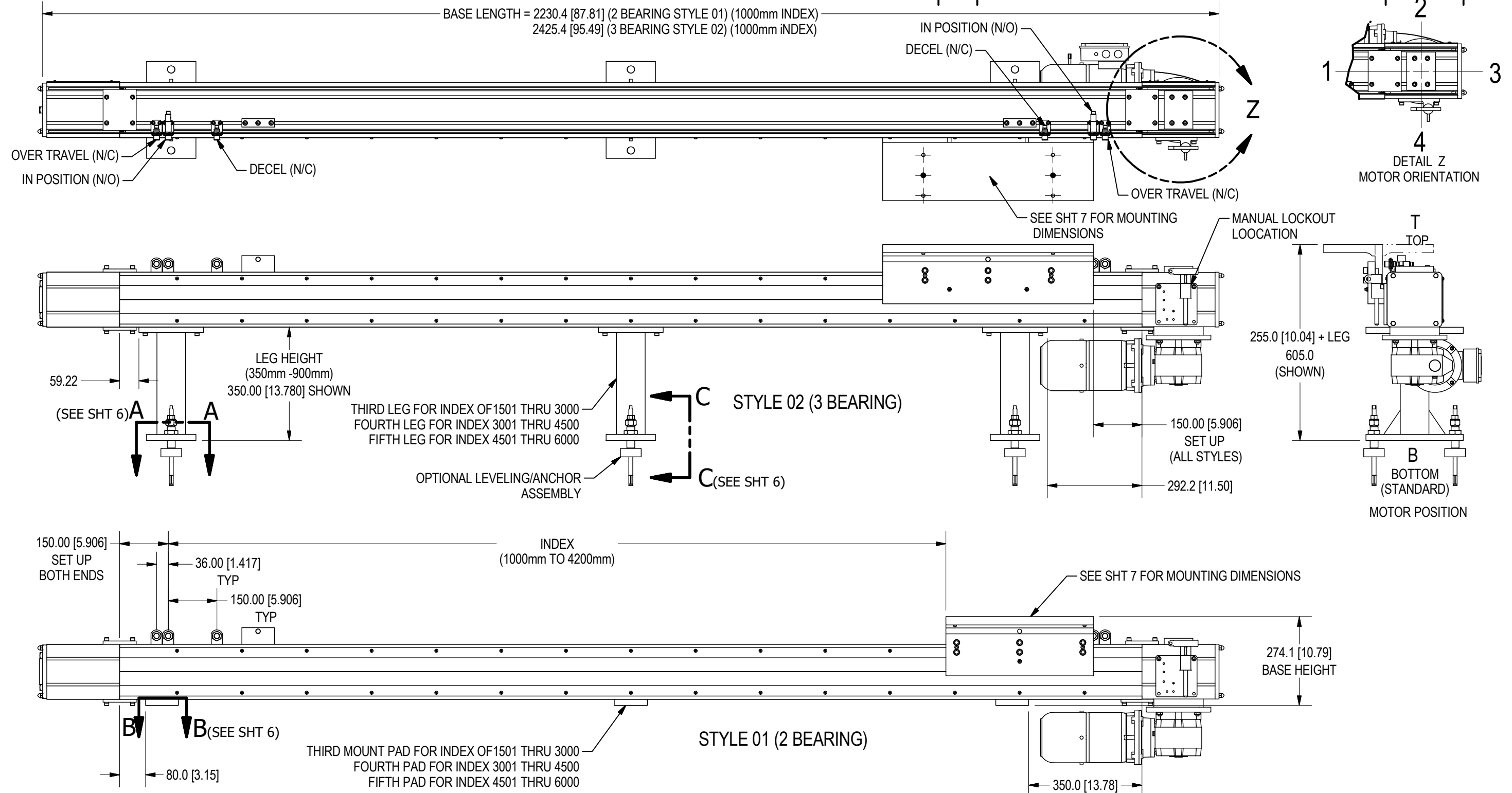
**STYLE 05**  
(SHOWN W / STD FLOOR PLATES)  
(ANGLES MOUNTED OUTBOARD)



**STYLE 06**  
(SHOWN W / LEG OPTION)  
(W / OPTIONAL LEVELING)  
(ANGELS MOUNTED INBOARD)

	<small>NOTICE: THIS DRAWING IS PROPERTY OF E&amp;E CUSTOM PRODUCTS INCLUDING THE PRINCIPLES OF THE DESIGN INVOLVED, AND IS SUBMITTED WITH AGREEMENT THAT IT IS NOT TO BE REPRODUCED, COPIED, OR LOANED, IN PART OR WHOLE, ACCEPTANCE OF THIS DRAWING WILL BE CONSTRUED AS AN AGREEMENT TO THE ABOVE</small>		
	<b>TITLE</b> PART TRANSFER BELT DRIVE EXTRUSION SLIDE		
	<b>PART NO.</b>		
	<b>DRAWN BY:</b>	<b>CHK'D BY:</b>	<b>APPR'D BY:</b>
	<b>DATE:</b>	<b>DATE:</b>	<b>DATE:</b>
7200 MILLER DR. WARREN, MI 48092 EE-CP.COM	<b>SCALE:</b> 1/25 SHT 1 OF 9	<b>DWG. NO.</b> PTS_BELT TEMPLATE	

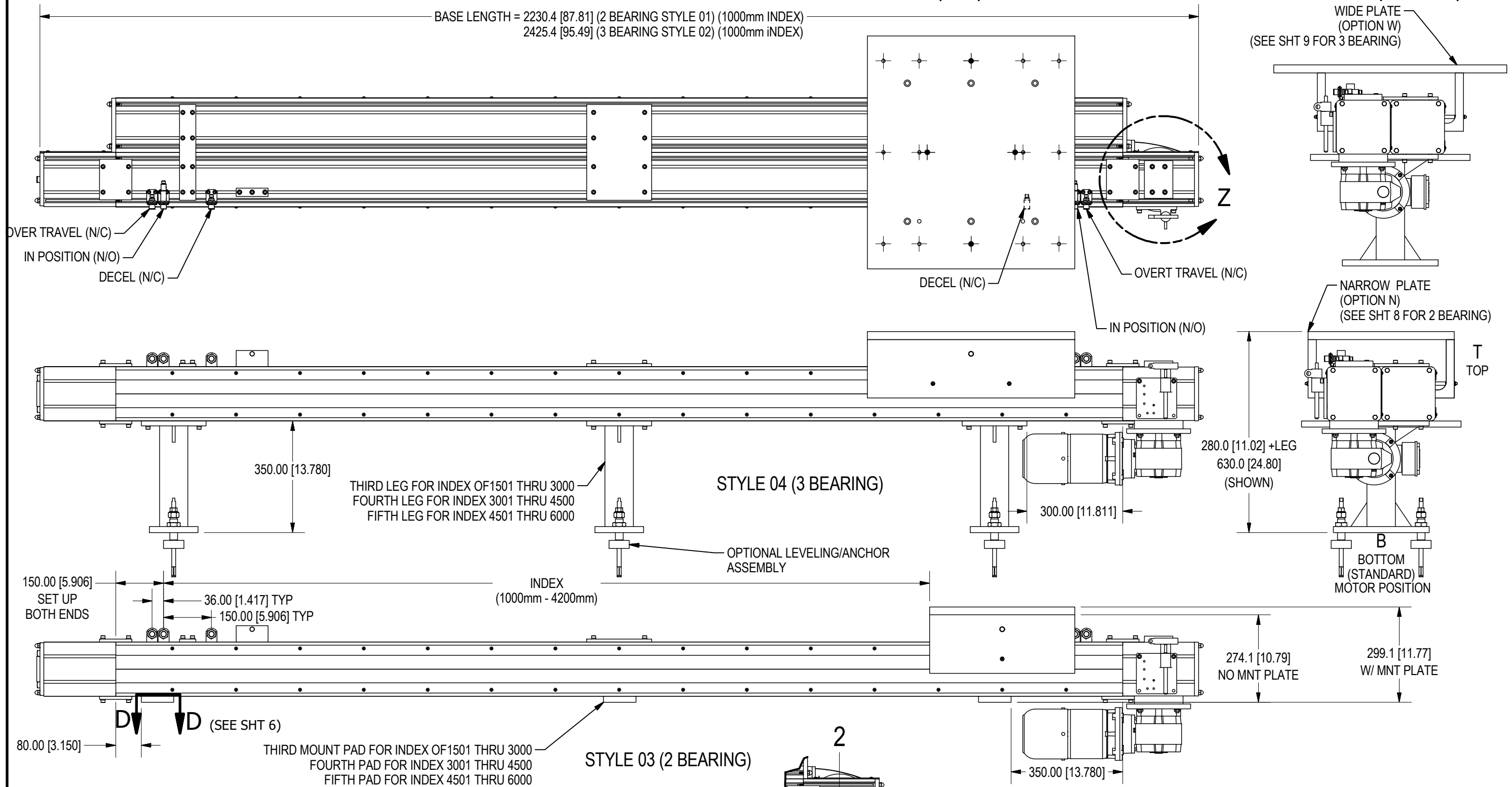
SYM	CHANGES	DATE	BY
		2	



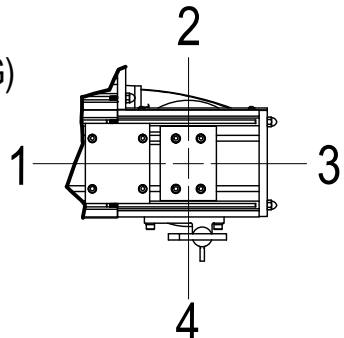
## SINGLE EXTRUSION BELT - STYLES 01 & 02

<p>7200 MILLER DR. WARREN, MI 48092 EE-CP.COM</p>	<p>NOTICE: THIS DRAWING IS PROPERTY OF E&amp;E CUSTOM PRODUCTS INCLUDING THE PRINCIPLES OF THE DESIGN INVOLVED, AND IS SUBMITTED WITH AGREEMENT THAT IT IS NOT TO BE REPRODUCED, COPIED, OR LOANED, IN PART OR WHOLE, ACCEPTANCE OF THIS DRAWING WILL BE CONSTRUED AS AN AGREEMENT TO THE ABOVE</p>		
	<p>TITLE PART TRANSFER BELT DRIVE EXTRUSION SLIDE</p>		
	<p>PART NO.</p>		
	<p>DRAWN BY:</p>	<p>CHK'D BY:</p>	<p>APPR'D BY:</p>
<p>DATE:</p>	<p>DATE:</p>	<p>DATE:</p>	
<p>SCALE: 1/12</p>	<p>DWG. NO. PTS_BELT TEMPLATE</p>		
<p>SHT 2 OF 9</p>			

SYM	CHANGES	DATE	BY
-----	---------	------	----



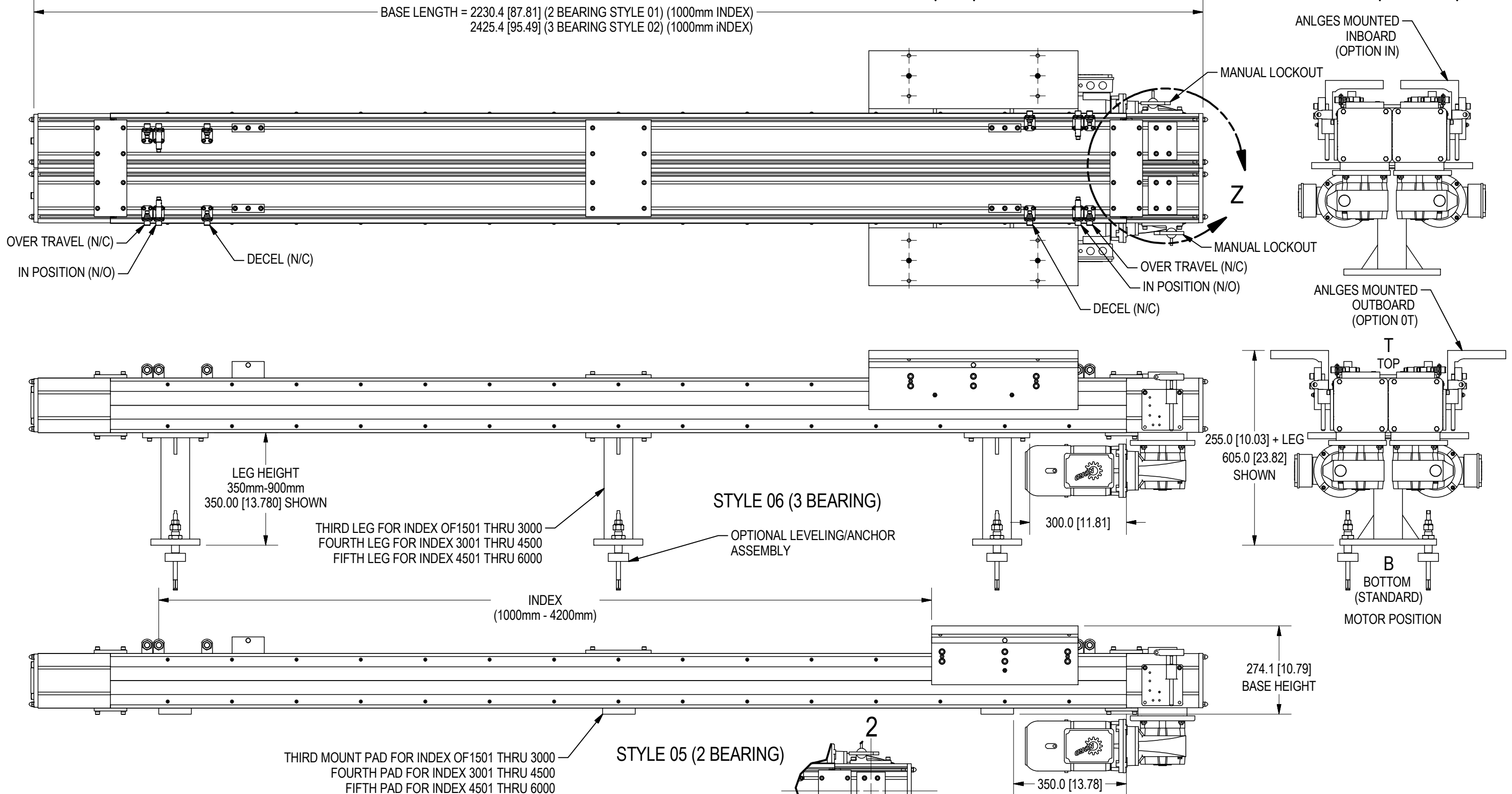
### DOUBLE EXTRUSION BELT - STYLES 03 & 04



DETAIL Z  
 MOTOR ORIENTATION

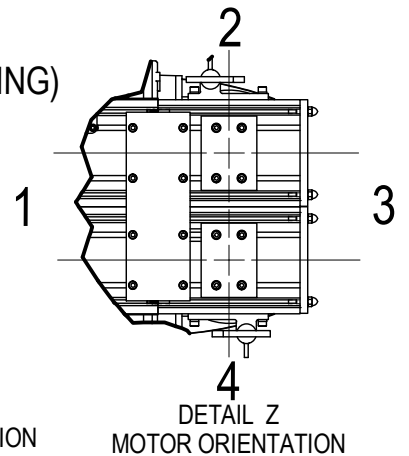
<p>7200 MILLER DR.          WARREN, MI 48092          EE-CP.COM</p>	NOTICE: THIS DRAWING IS PROPERTY OF E&E CUSTOM PRODUCTS INCLUDING THE PRINCIPLES OF THE DESIGN INVOLVED, AND IS SUBMITTED WITH AGREEMENT THAT IT IS NOT TO BE REPRODUCED, COPIED, OR LOANED, IN PART OR WHOLE, ACCEPTANCE OF THIS DRAWING WILL BE CONSTRUED AS AN AGREEMENT TO THE ABOVE		
	TITLE PART TRANSFER BELT DRIVE EXTRUSION SLIDE		
	PART NO.		
	DRAWN BY:	CHK'D BY:	APPR'D BY:
DATE:	DATE:	DATE:	
SCALE: 1/12	DWG. NO. PTS_BELT TEMPLATE		
SHT 3 OF 9			

SYM	CHANGES	DATE	BY
-----	---------	------	----



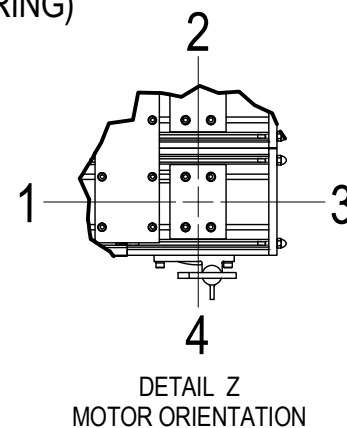
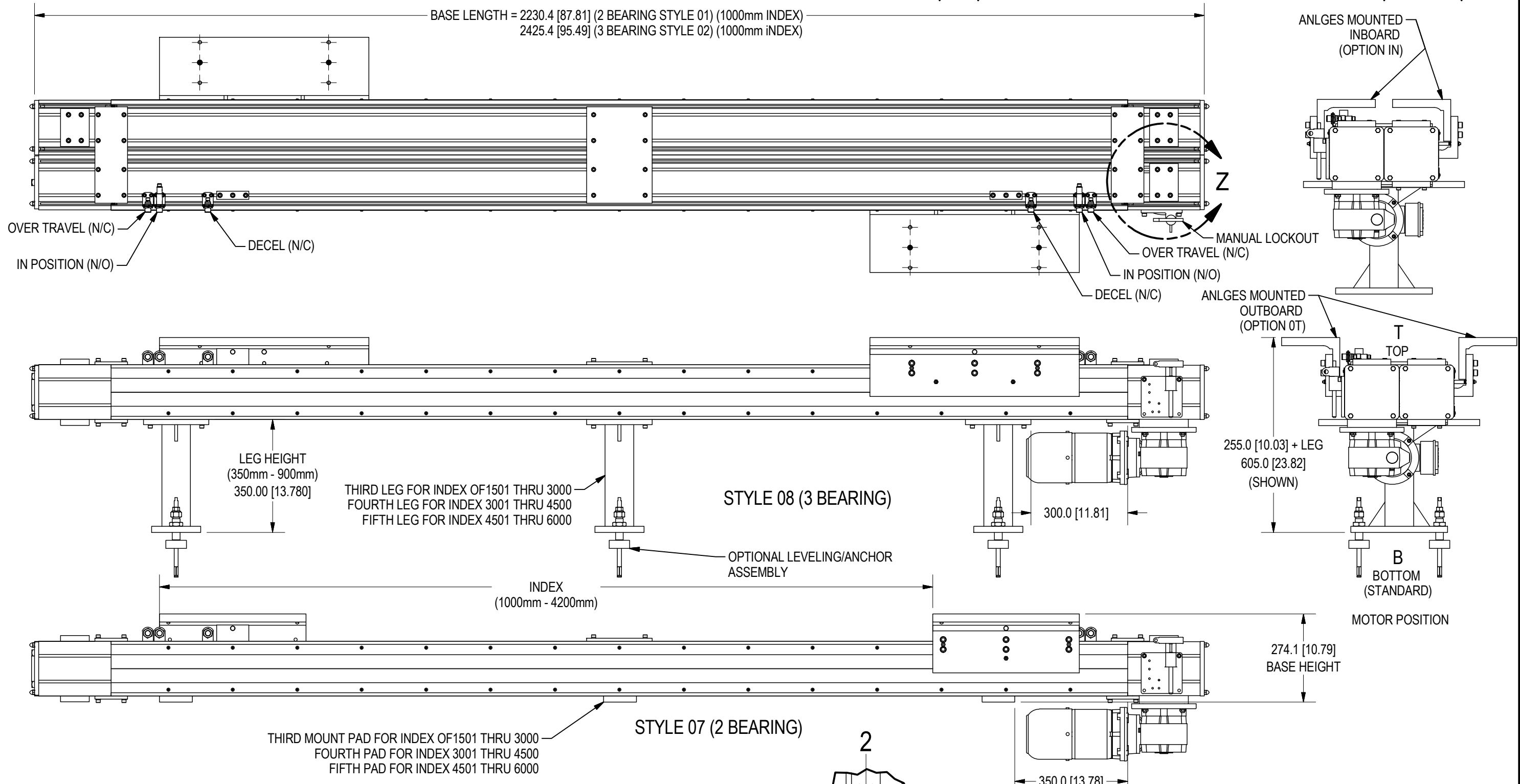
# DOUBLE INDEPENDENT EXTRUSION BELT - STYLES 05 & 06

MOTOR NOTE:  
IF MOTOR POSITIONS 2 OR 4 ARE SPECIFIED, MOTORS WILL BE SHIPPED IN 2 & 4 POSITION



<p>E &amp; E CUSTOM PRODUCTS</p> <p>7200 MILLER DR. WARREN, MI 48092 EE-CP.COM</p>	<p>NOTICE: THIS DRAWING IS PROPERTY OF E&amp;E CUSTOM PRODUCTS INCLUDING THE PRINCIPLES OF THE DESIGN INVOLVED, AND IS SUBMITTED WITH AGREEMENT THAT IT IS NOT TO BE REPRODUCED, COPIED, OR LOANED, IN PART OR WHOLE, ACCEPTANCE OF THIS DRAWING WILL BE CONSTRUED AS AN AGREEMENT TO THE ABOVE</p>		
	<p>TITLE PART TRANSFER BELT DRIVE EXTRUSION SLIDE</p>		
	<p>PART NO.</p>		
	<p>DRAWN BY:</p>	<p>CHK'D BY:</p>	<p>APPR'D BY:</p>
<p>DATE:</p>	<p>DATE:</p>	<p>DATE:</p>	
<p>SCALE: 1/12</p>	<p>DWG. NO. PTS_BELT TEMPLATE</p>		
<p>SHT 4 OF 9</p>			

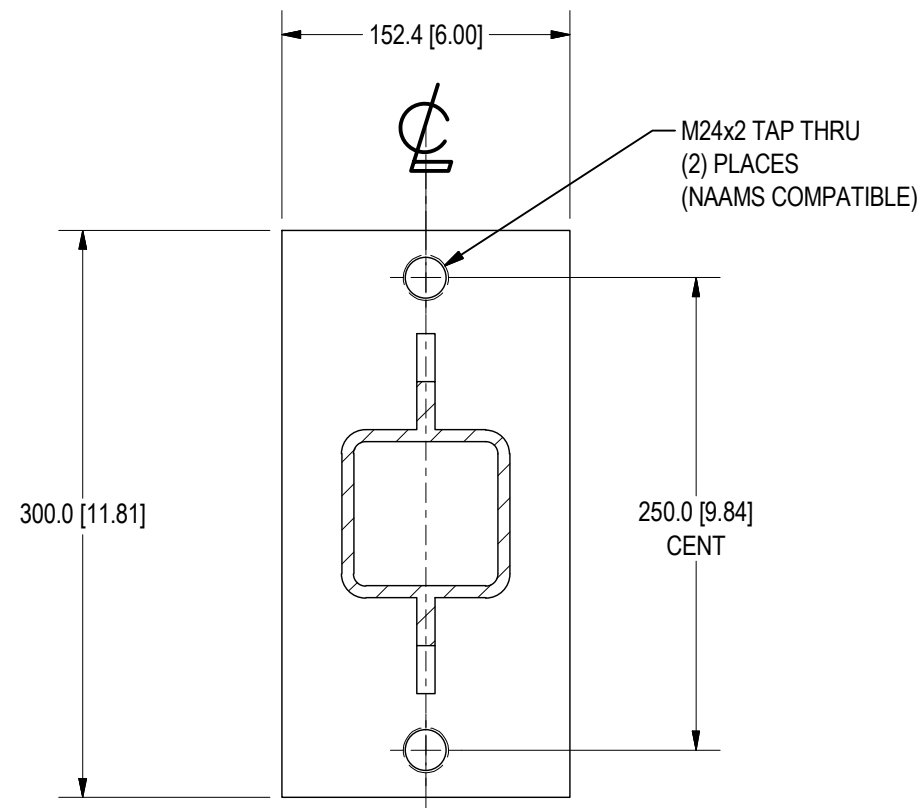
SYM	CHANGES	DATE	BY
-----	---------	------	----



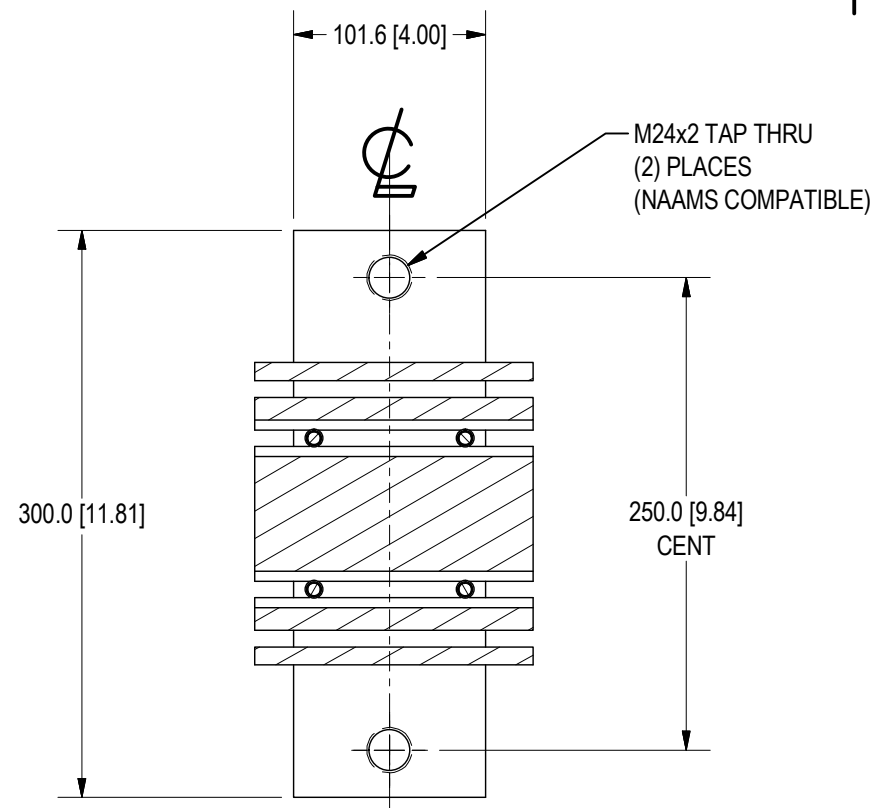
**PUSH / PULL EXTRUSION BELT - STYLES 07 & 08**

<p>7200 MILLER DR. WARREN, MI 48092 EE-CP.COM</p>	<p>NOTICE: THIS DRAWING IS PROPERTY OF E&amp;E CUSTOM PRODUCTS INCLUDING THE PRINCIPLES OF THE DESIGN INVOLVED, AND IS SUBMITTED WITH AGREEMENT THAT IT IS NOT TO BE REPRODUCED, COPIED, OR LOANED, IN PART OR WHOLE, ACCEPTANCE OF THIS DRAWING WILL BE CONSTRUED AS AN AGREEMENT TO THE ABOVE</p>		
	<p>TITLE PART TRANSFER BELT DRIVE EXTRUSION SLIDE</p>		
	<p>PART NO.</p>		
	<p>DRAWN BY:</p>	<p>CHK'D BY:</p>	<p>APPR'D BY:</p>
<p>DATE:</p>	<p>DATE:</p>	<p>DATE:</p>	
<p>SCALE: 1/12</p>	<p>DWG. NO. PTS_BELT TEMPLATE</p>		
<p>SHT 5 OF 9</p>			

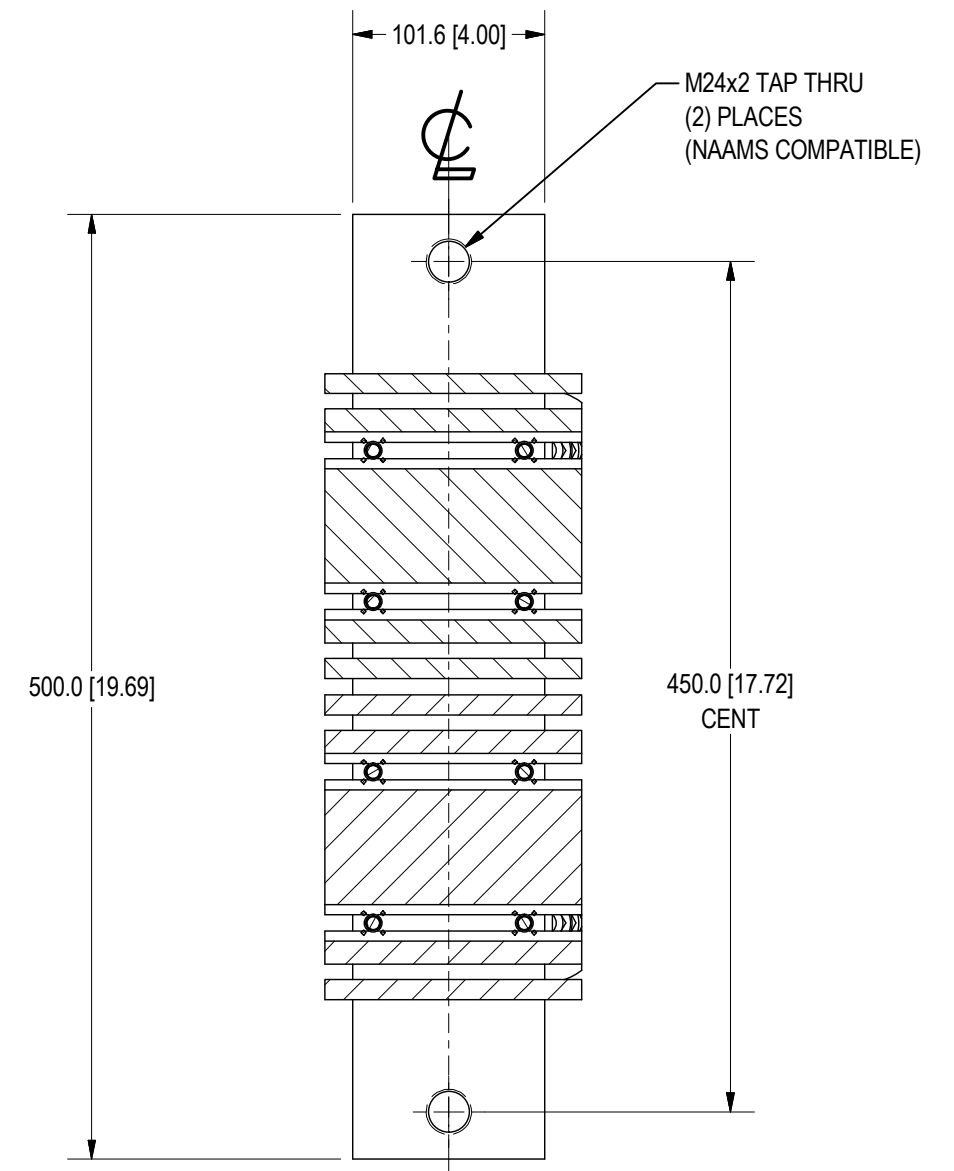
SYM	CHANGES	DATE	BY
-----	---------	------	----



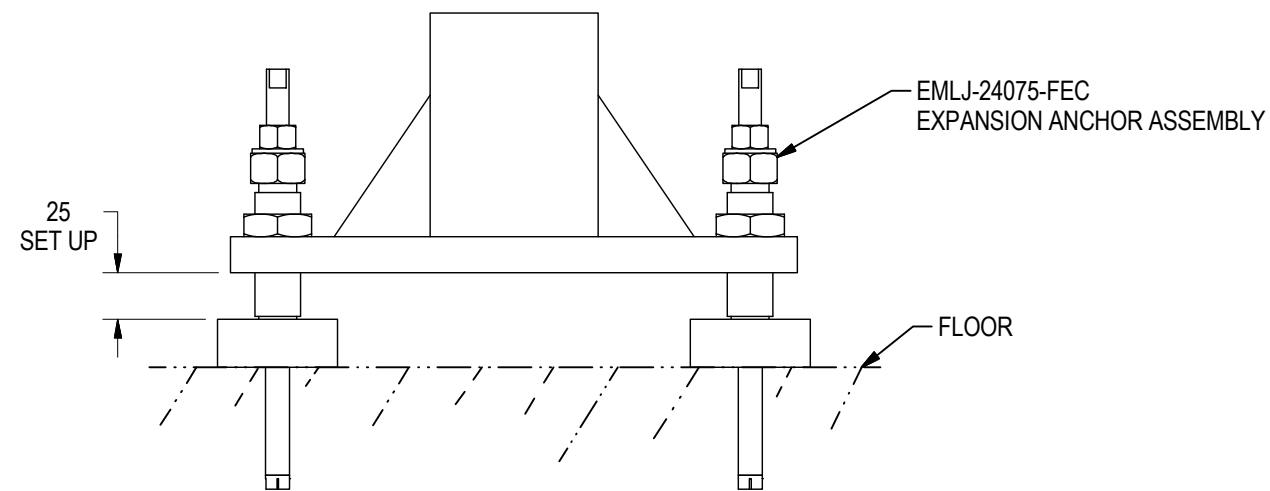
**SECTION A-A**  
LEG OPTION  
ALL STYLES



**SECTION B-B**  
SINGLE EXT MOUNT PAD  
STYLES 01 & 02



**SECTION D-D**  
DOUBLE, DOUBLE INDEP AND PUSH / PULL MOUNT PAD  
STYLES 03 THRU 08

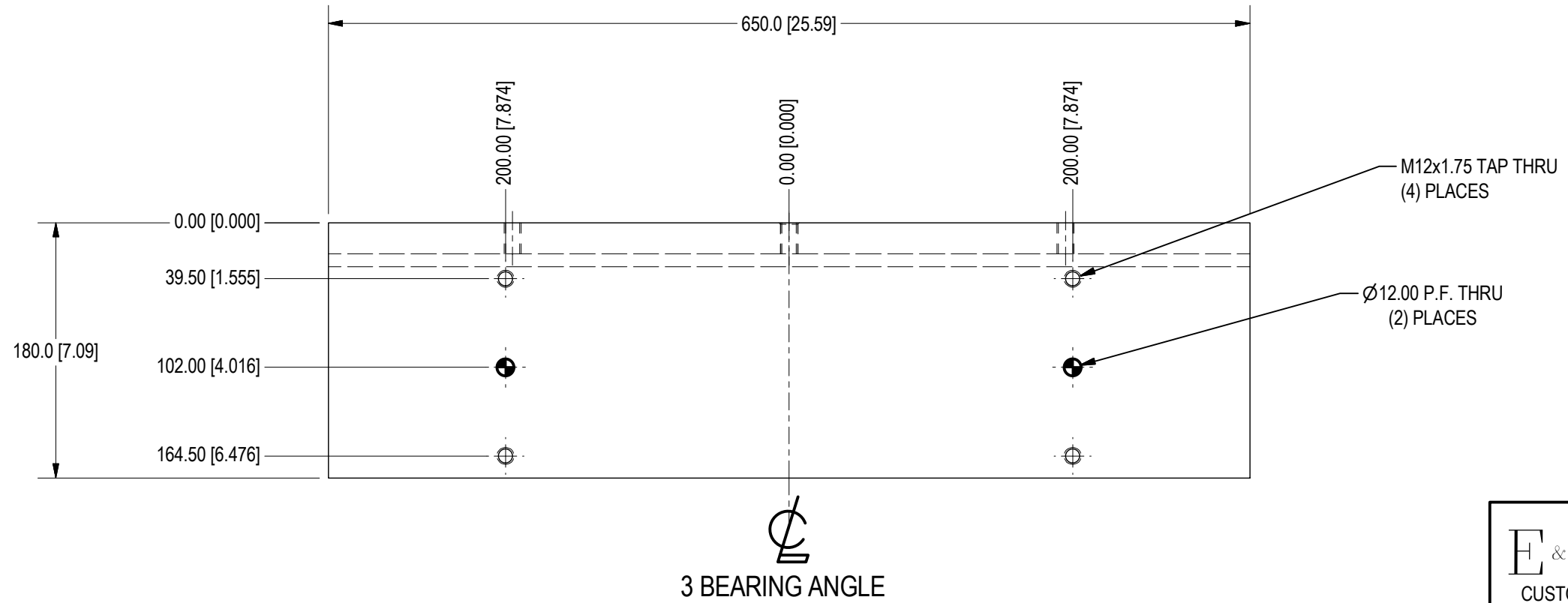
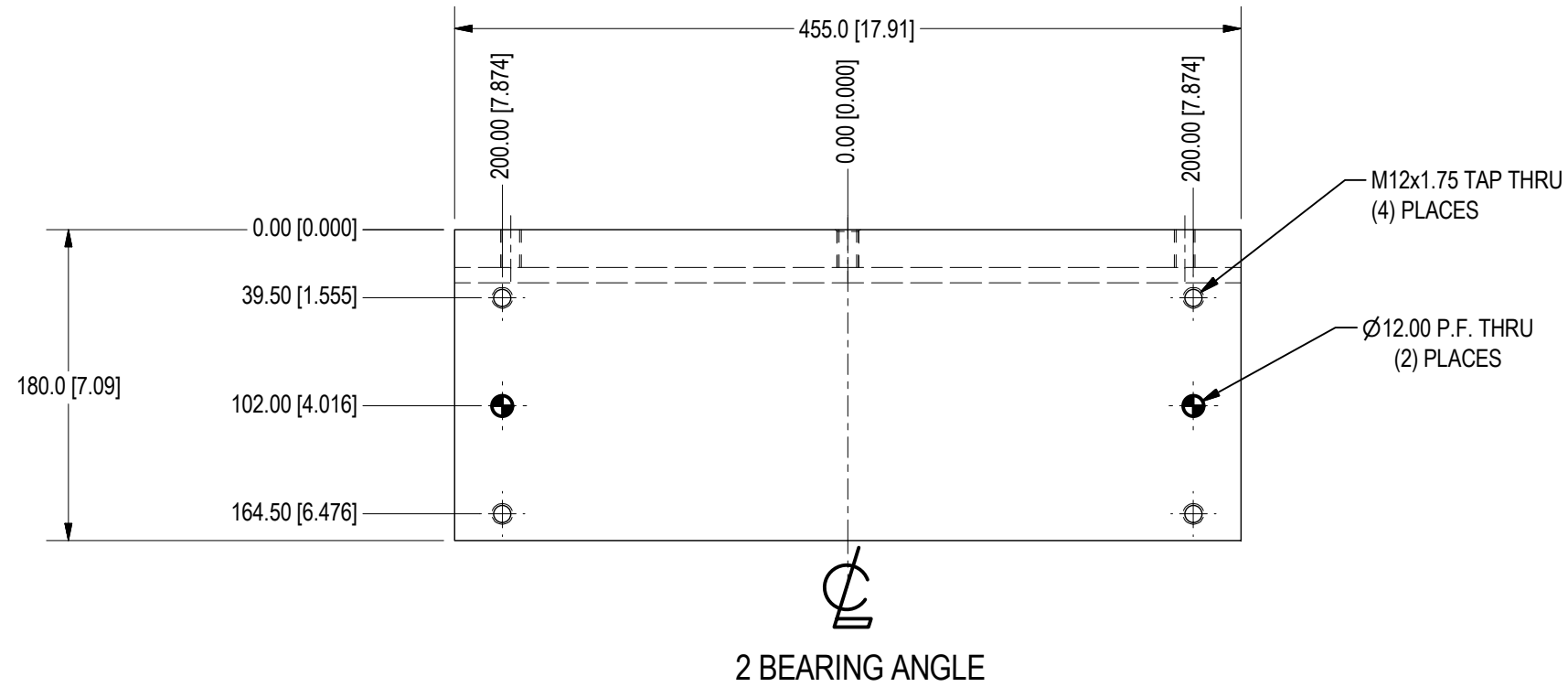


**SECTION C-C**  
LEG OPTION WITH LEVELING  
ALL STYLES

**LEG AND MOUNTING PLATE OPTIONS**

 7200 MILLER DR. WARREN, MI 48092 EE-CP.COM	NOTICE: THIS DRAWING IS PROPERTY OF E&E CUSTOM PRODUCTS INCLUDING THE PRINCIPLES OF THE DESIGN INVOLVED, AND IS SUBMITTED WITH AGREEMENT THAT IT IS NOT TO BE REPRODUCED, COPIED, OR LOANED, IN PART OR WHOLE, ACCEPTANCE OF THIS DRAWING WILL BE CONSTRUED AS AN AGREEMENT TO THE ABOVE		
	TITLE PART TRANSFER BELT DRIVE EXTRUSION SLIDE		
	PART NO.		
	DRAWN BY:	CHK'D BY:	APPR'D BY:
DATE:	DATE:	DATE:	
SCALE: 1/4	DWG. NO. PTS_BELT TEMPLATE		
SHT 6 OF 9			

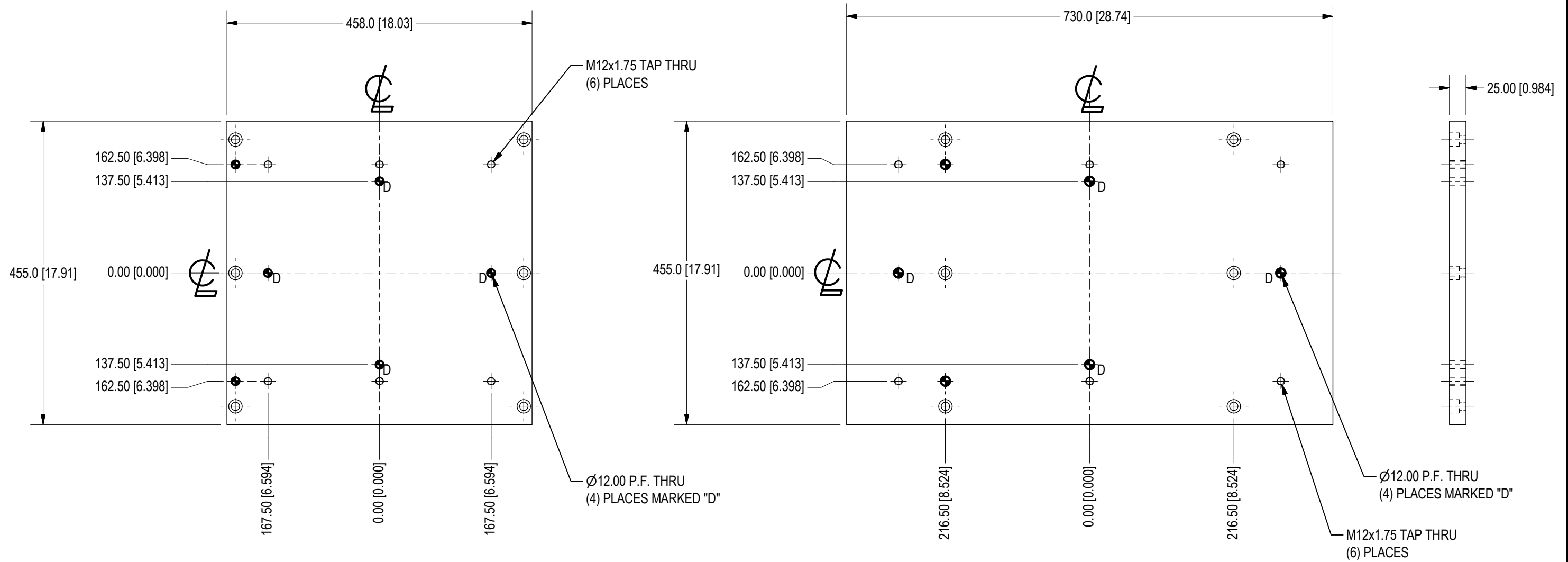
SYM	CHANGES	DATE	BY



ANGLE MOUNTING PATTERNS STYLES  
01, 02, 05, 06, 07 AND 08

	<small>NOTICE: THIS DRAWING IS PROPERTY OF E&amp;E CUSTOM PRODUCTS INCLUDING THE PRINCIPLES OF THE DESIGN INVOLVED, AND IS SUBMITTED WITH AGREEMENT THAT IT IS NOT TO BE REPRODUCED, COPIED, OR LOANED, IN PART OR WHOLE, ACCEPTANCE OF THIS DRAWING WILL BE CONSTRUED AS AN AGREEMENT TO THE ABOVE</small>		
	TITLE PART TRANSFER BELT DRIVE EXTRUSION SLIDE		
PART NO.			
DRAWN BY:	CHK'D BY:	APPR'D BY:	
DATE:	DATE:	DATE:	
SCALE: 1/4	DWG. NO. PTS_BELT TEMPLATE		
7200 MILLER DR. WARREN, MI 48092 EE-CP.COM	SHT 7 OF 9		

SYM	CHANGES	DATE	BY
-----	---------	------	----



2 BEARING NARROW MOUNTING PLATE

2 BEARING WIDE MOUNTING PLATE

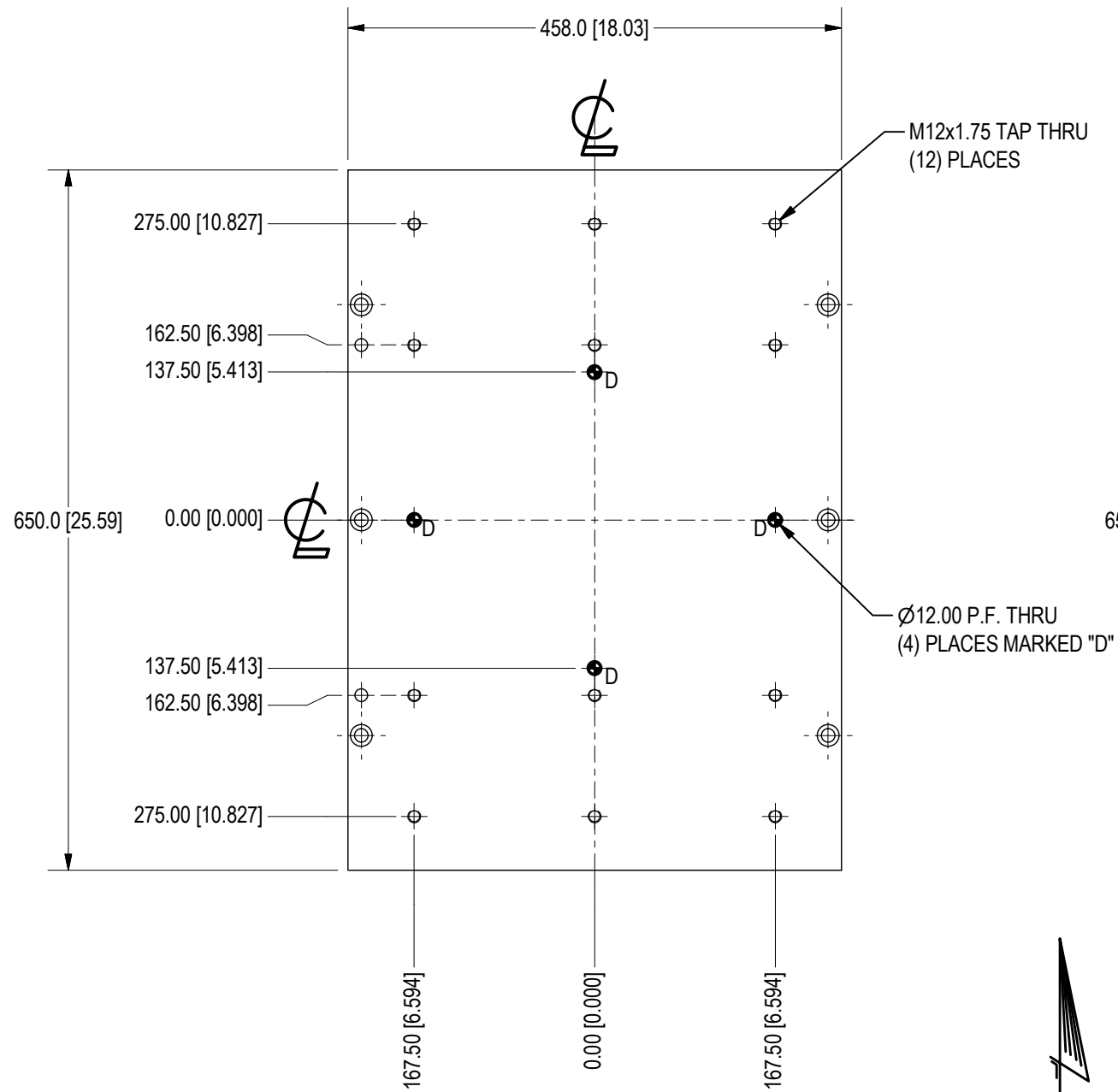


STYLES 03 AND 04 ONLY

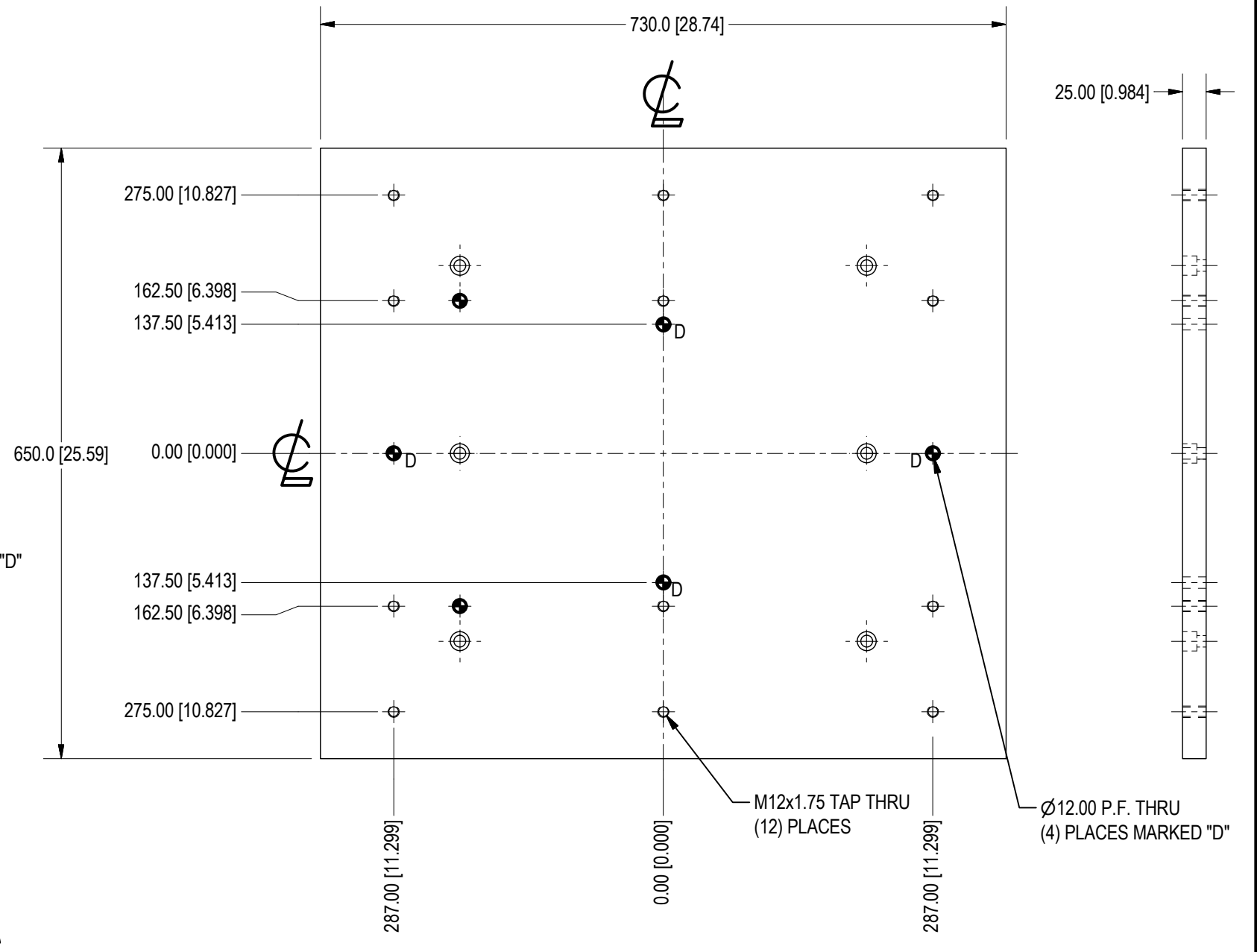
<p>7200 MILLER DR. WARREN, MI 48092 EE-CP.COM</p>	<p>NOTICE: THIS DRAWING IS PROPERTY OF E&amp;E CUSTOM PRODUCTS INCLUDING THE PRINCIPLES OF THE DESIGN INVOLVED, AND IS SUBMITTED WITH AGREEMENT THAT IT IS NOT TO BE REPRODUCED, COPIED, OR LOANED, IN PART OR WHOLE, ACCEPTANCE OF THIS DRAWING WILL BE CONSTRUED AS AN AGREEMENT TO THE ABOVE</p>		
	<p>TITLE PART TRANSFER BELT DRIVE EXTRUSION SLIDE</p>		
	<p>PART NO.</p>		
	<p>DRAWN BY:</p>	<p>CHK'D BY:</p>	<p>APPR'D BY:</p>
<p>DATE:</p>	<p>DATE:</p>	<p>DATE:</p>	
<p>SCALE: 1/6</p>	<p>DWG. NO. PTS_BELT TEMPLATE</p>		
<p>SHT 8 OF 9</p>			



SYM	CHANGES	DATE	BY
-----	---------	------	----



3 BEARING NARROW MOUNTING PLATE



3 BEARING WIDE MOUNTING PLATE



STYLES 03 AND 04 ONLY

	<small>NOTICE: THIS DRAWING IS PROPERTY OF E&amp;E CUSTOM PRODUCTS INCLUDING THE PRINCIPLES OF THE DESIGN INVOLVED, AND IS SUBMITTED WITH AGREEMENT THAT IT IS NOT TO BE REPRODUCED, COPIED, OR LOANED, IN PART OR WHOLE, ACCEPTANCE OF THIS DRAWING WILL BE CONSTRUED AS AN AGREEMENT TO THE ABOVE</small>		
	TITLE PART TRANSFER BELT DRIVE EXTRUSION SLIDE		
PART NO.			
DRAWN BY:	CHK'D BY:	APPR'D BY:	
DATE:	DATE:	DATE:	
SCALE: 1/6 SHT 9 OF 9	DWG. NO. PTS_BELT TEMPLATE		

7200 MILLER DR.  
WARREN, MI 48092  
EE-CP.COM