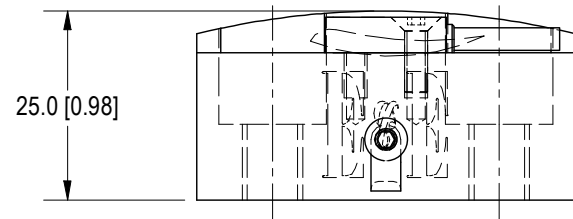
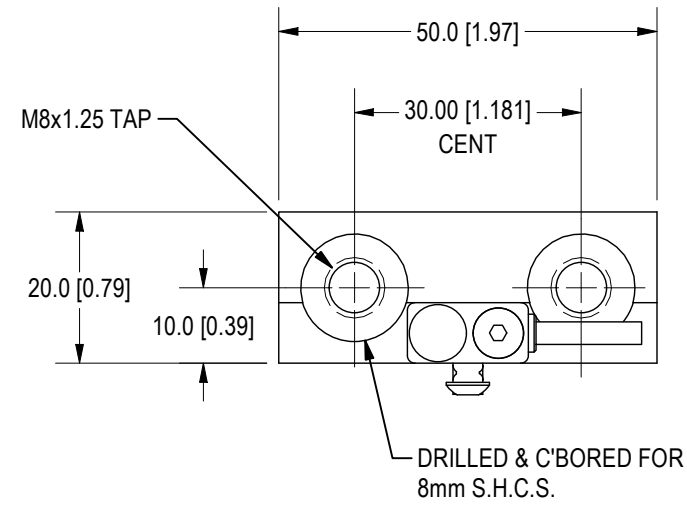
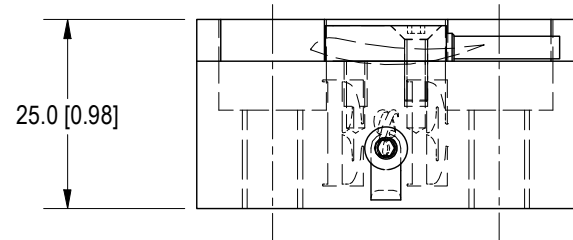


20mm WIDE INTELLIGENT STOPS



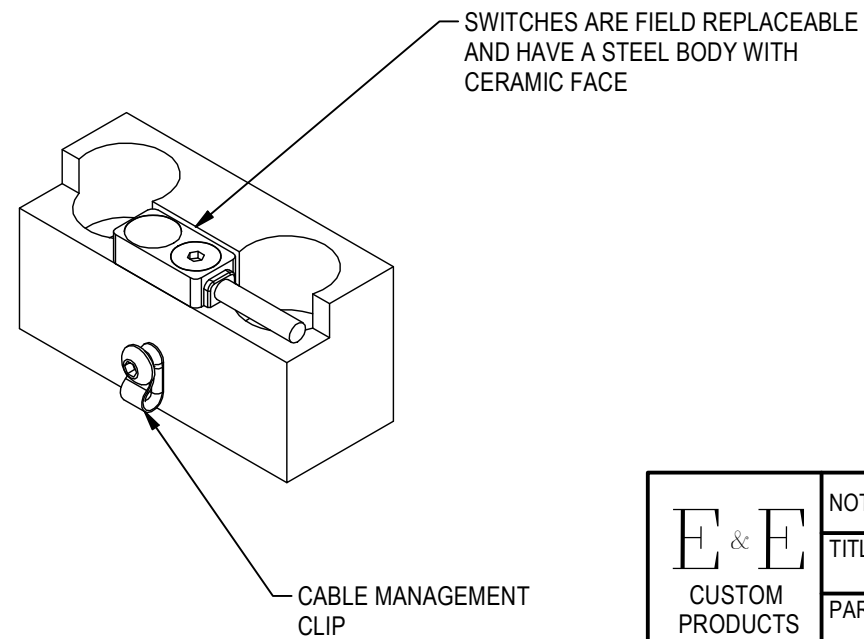
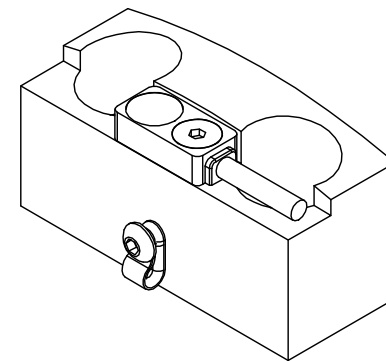
ASC018-IS
CROWNED W /C'BORES

ASC019-IS
CROWNED W/ TAPS



ASF018-IS
FLAT W / C'BORES

ASF019-IS
FLAT W/ TAPS



20mm WIDE ORDERING INFORMATION

A **S** **0** **1** **I** **S**

Type

- C Crown Block
- F Flat Block

Holes

- 8 C'Bore
- 9 Tapped

 7200 MILLER DR. WARREN, MI 48092 EE-CP.COM	NOTICE: THIS DRAWING IS PROPERTY OF E&E CUSTOM PRODUCTS INCLUDING THE PRINCIPLES OF THE DESIGN INVOLVED, AND IS SUBMITTED WITH AGREEMENT THAT IT IS NOT TO BE REPRODUCED, COPIED, OR LOANED, IN PART OR WHOLE, ACCEPTANCE OF THIS DRAWING WILL BE CONSTRUED AS AN AGREEMENT TO THE ABOVE		
	TITLE: 20mm WIDE INTELLIGENT STOPS		
	PART NO.		
	DRAWN BY:	CHK'D BY:	APPR'D BY:
DATE:	DATE:	DATE:	
SCALE: 1	DWG. NO.		
SHT 1 OF 1	20mm WIDE INTELLIGENT STOPS TEMPLATE		