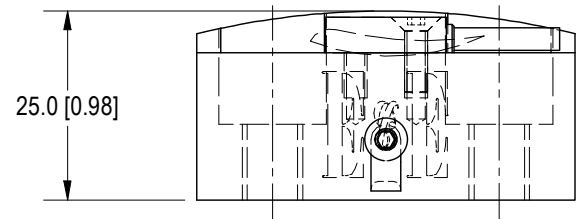
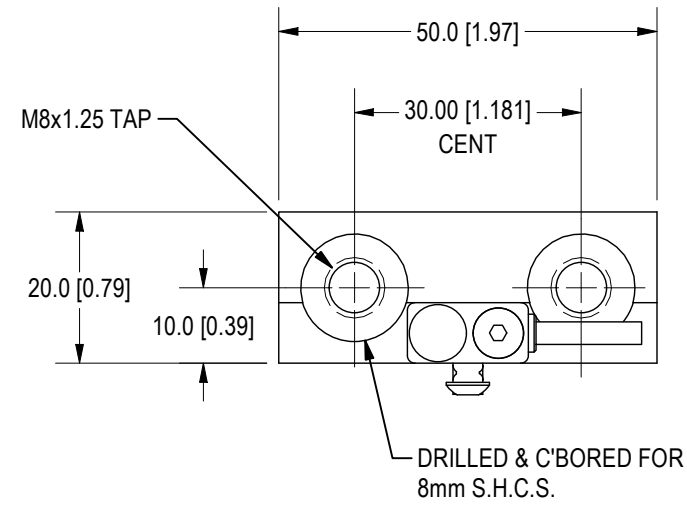
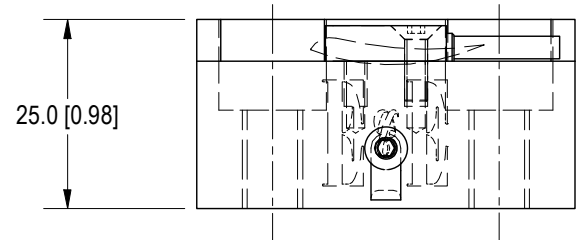


# 20mm WIDE INTELLIGENT STOPS



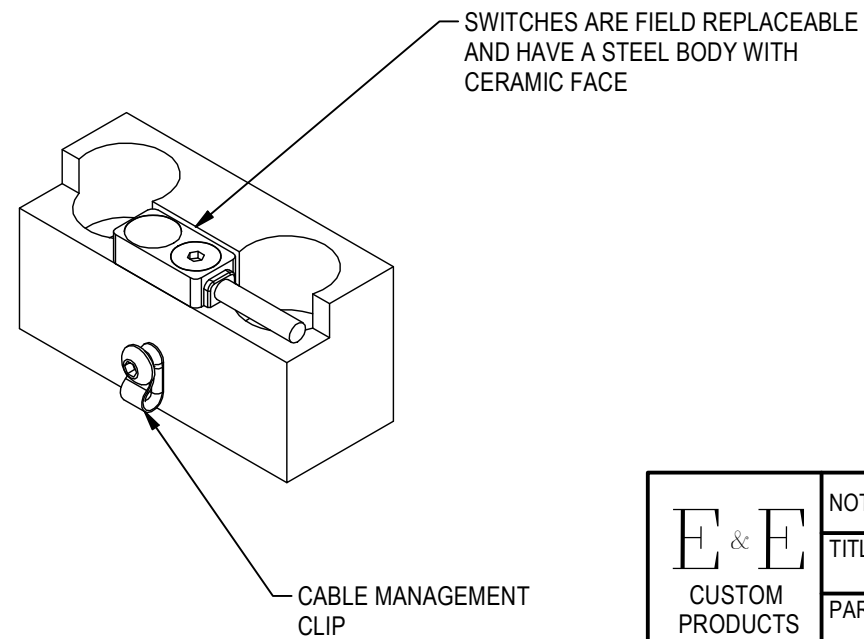
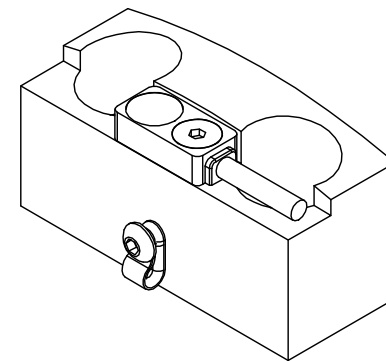
**ASC018-IS**  
CROWNED W /C'BORES

**ASC019-IS**  
CROWNED W/ TAPS



**ASF018-IS**  
FLAT W / C'BORES

**ASF019-IS**  
FLAT W/ TAPS



## 20mm WIDE ORDERING INFORMATION

**A S**   **0 1**   **I S**

**Type**

- C Crown Block
- F Flat Block

**Holes**

- 8 C'Bore
- 9 Tapped

 7200 MILLER DR. WARREN, MI 48092 EE-CP.COM	NOTICE: THIS DRAWING IS PROPERTY OF E&E CUSTOM PRODUCTS INCLUDING THE PRINCIPLES OF THE DESIGN INVOLVED, AND IS SUBMITTED WITH AGREEMENT THAT IT IS NOT TO BE REPRODUCED, COPIED, OR LOANED, IN PART OR WHOLE, ACCEPTANCE OF THIS DRAWING WILL BE CONSTRUED AS AN AGREEMENT TO THE ABOVE		
	TITLE: 20mm WIDE INTELLIGENT STOPS		
	PART NO.		
	DRAWN BY: EE DATE: 9/14/2022	CHK'D BY: EC DATE: 3/9/2023	APPR'D BY: MH DATE: 3/9/2023
SCALE: 1 SHT 1 OF 1		DWG. NO. 20mm WIDE INTELLIGENT STOPS - STELLANTIS	