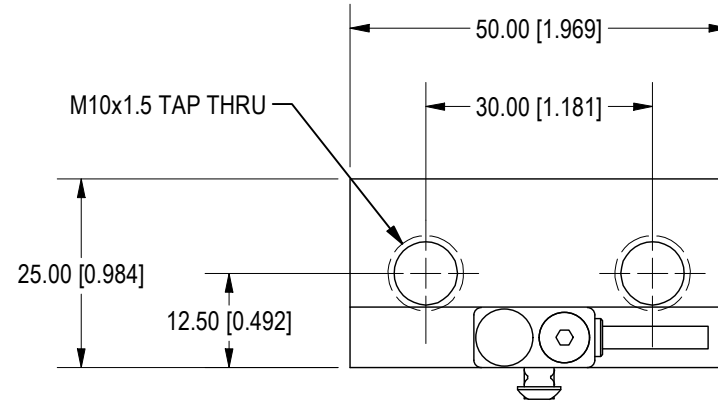
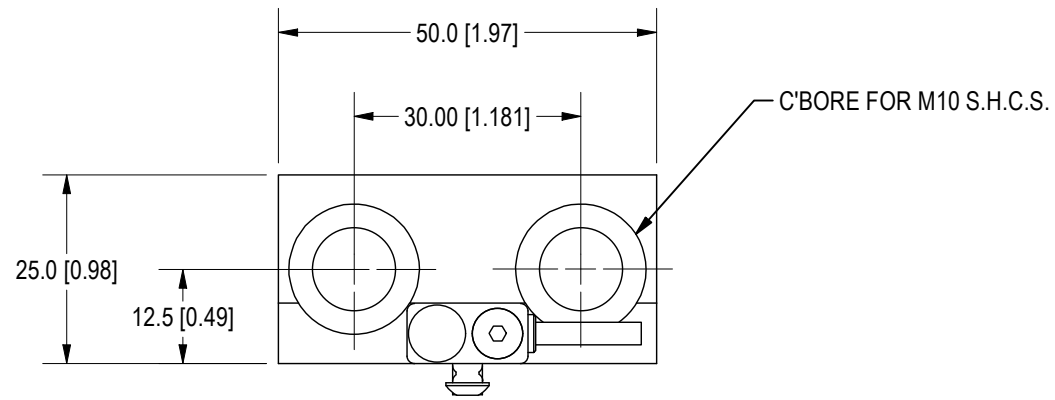


25mm WIDE INTELLIGENT STOPS



25mm WIDE ORDERING INFORMATION

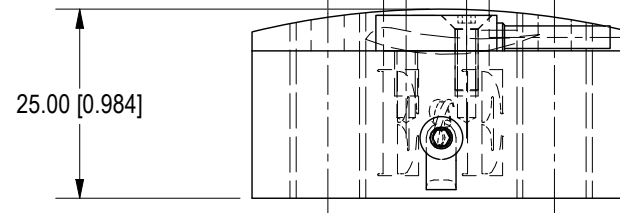
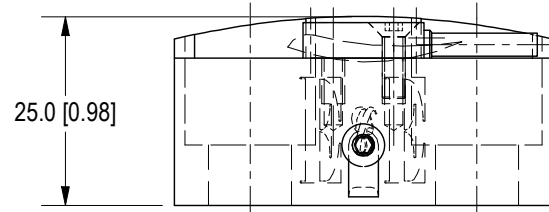
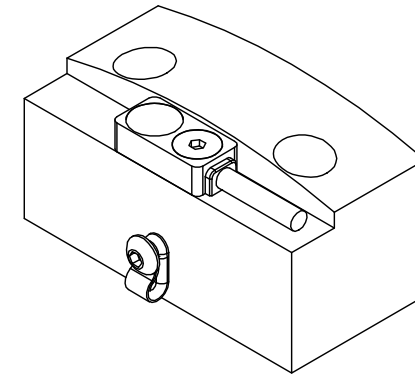
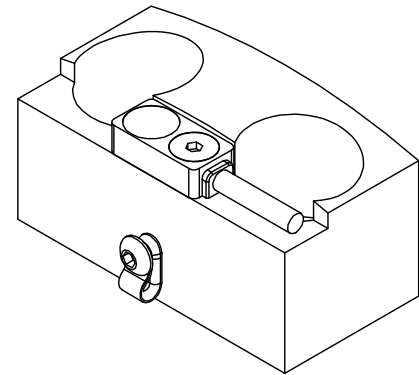
A S 0 2 I S

Type

- C Crown Block
- F Flat Block

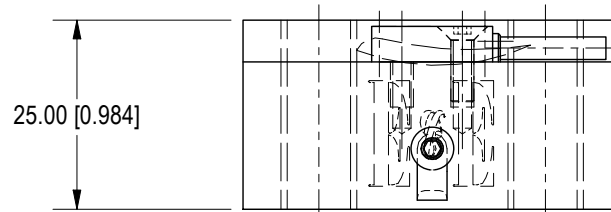
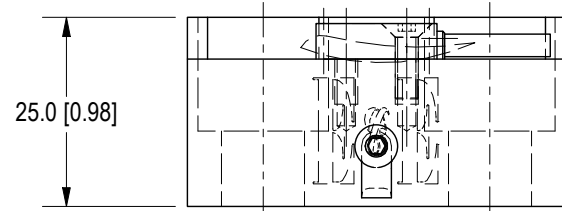
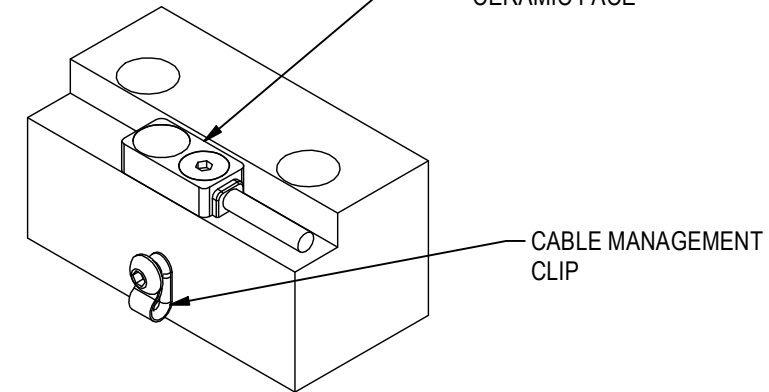
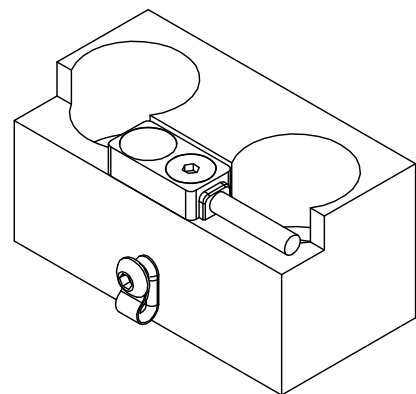
Holes

- 0 C'Bore
- 1 Tapped



ASC020-IS
CROWNED W/ C'BORE

ASC021-IS
CROWNED W/ TAPS



ASF020-IS
FLAT W/ C'BORE

ASF021-IS
FLAT W/ TAPS

 7200 MILLER DR. WARREN, MI 48092 EE-CP.COM	NOTICE: THIS DRAWING IS PROPERTY OF E&E CUSTOM PRODUCTS INCLUDING THE PRINCIPLES OF THE DESIGN INVOLVED, AND IS SUBMITTED WITH AGREEMENT THAT IT IS NOT TO BE REPRODUCED, COPIED, OR LOANED, IN PART OR WHOLE, ACCEPTANCE OF THIS DRAWING WILL BE CONSTRUED AS AN AGREEMENT TO THE ABOVE		
	TITLE: 25mm WIDE INTELLIGENT STOPS		
	PART NO.		
	DRAWN BY: EE	CHK'D BY: EC	APPR'D BY: MH
	DATE: 9/14/2022	DATE: 3/9/2023	DATE: 3/9/2023
SCALE: 1	DWG. NO.		
SHT 1 OF 1	25mm WIDE INTELLIGENT STOPS GM		