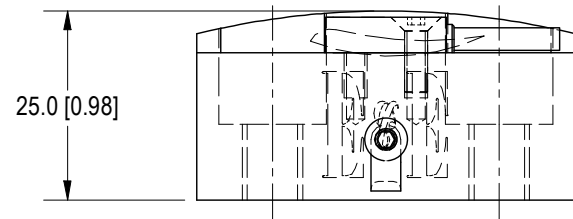
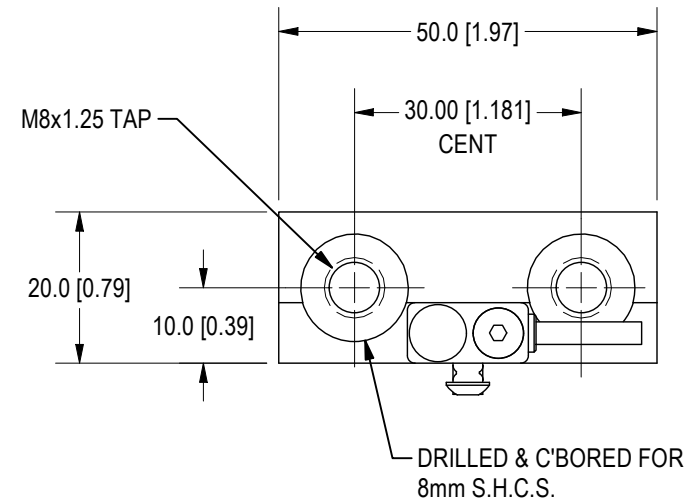
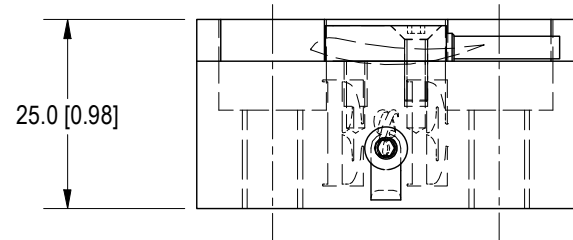


# 20mm WIDE INTELLIGENT STOPS



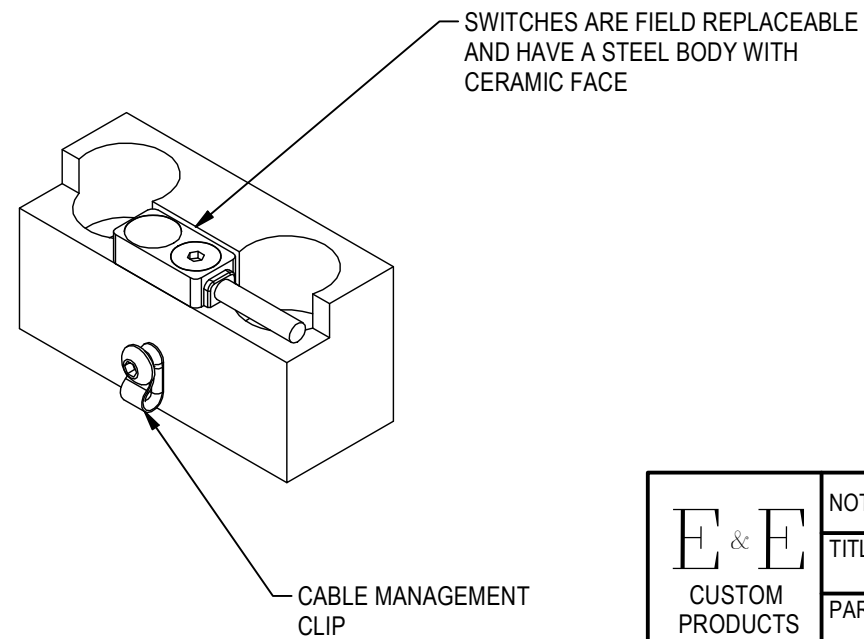
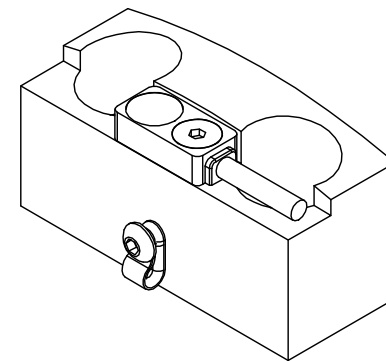
**ASC018-IS**  
CROWNED W /C'BORES

**ASC019-IS**  
CROWNED W/ TAPS



**ASF018-IS**  
FLAT W / C'BORES

**ASF019-IS**  
FLAT W/ TAPS



## 20mm WIDE ORDERING INFORMATION

**A S [ ] 0 1 [ ] I S**

**Type**

- C Crown Block
- F Flat Block

**Holes**

- 8 C'Bore
- 9 Tapped

<p><b>E &amp; E</b> CUSTOM PRODUCTS</p>	<small>NOTICE: THIS DRAWING IS PROPERTY OF E&amp;E CUSTOM PRODUCTS INCLUDING THE PRINCIPLES OF THE DESIGN INVOLVED, AND IS SUBMITTED WITH AGREEMENT THAT IT IS NOT TO BE REPRODUCED, COPIED, OR LOANED, IN PART OR WHOLE, ACCEPTANCE OF THIS DRAWING WILL BE CONSTRUED AS AN AGREEMENT TO THE ABOVE</small>		
	TITLE 20mm WIDE INTELLIGENT STOPS		
	PART NO.		
	DRAWN BY: EE	CHK'D BY: EC	APPR'D BY: MH
7200 MILLER DR. WARREN, MI 48092 EE-CP.COM	DATE: 3/21/2023 SCALE: 1 SHT 1 OF 1	DATE: 3/21/2023 DWG. NO. 20mm WIDE INTELLIGENT STOPS - GESTAMP	