

ORDERING INFORMATION

CSP24- [] [] [] N D 0 6 M 0 6 S S [] [] 0 0 E 0

Stroke
025 025, 050

Actuator
N Pneumatic - NPT Ports

Switch
S Sick (Standard) Weld Immune

Shield
S Shield (Shown - Std)

Switch Position
E S01 Ext Pos

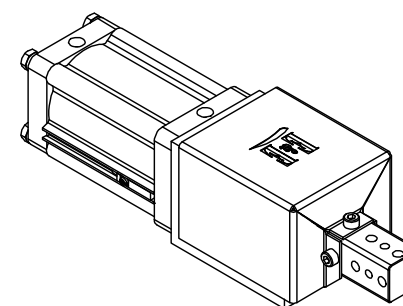
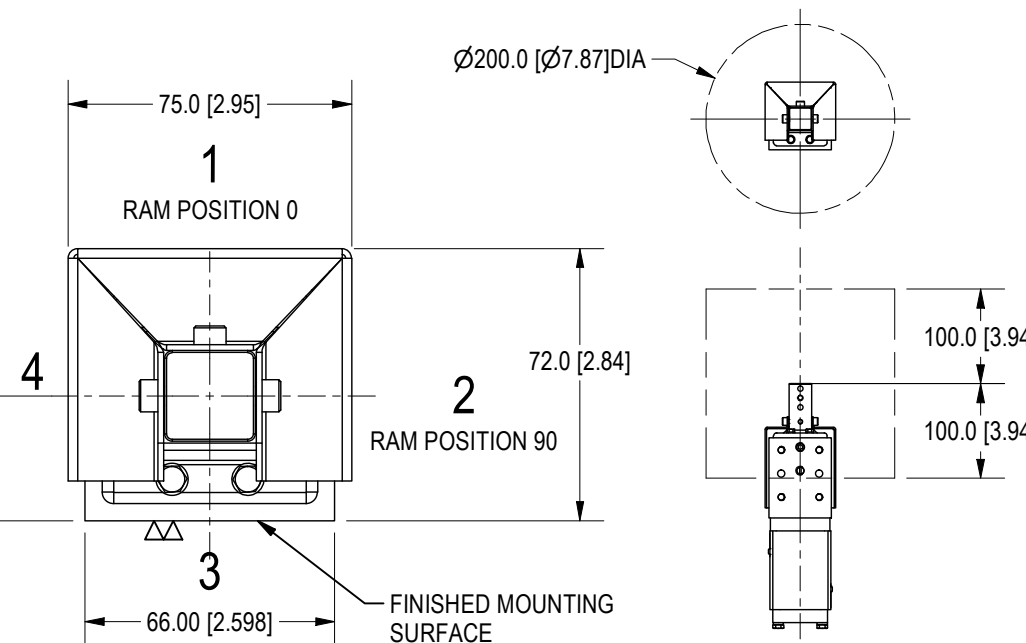
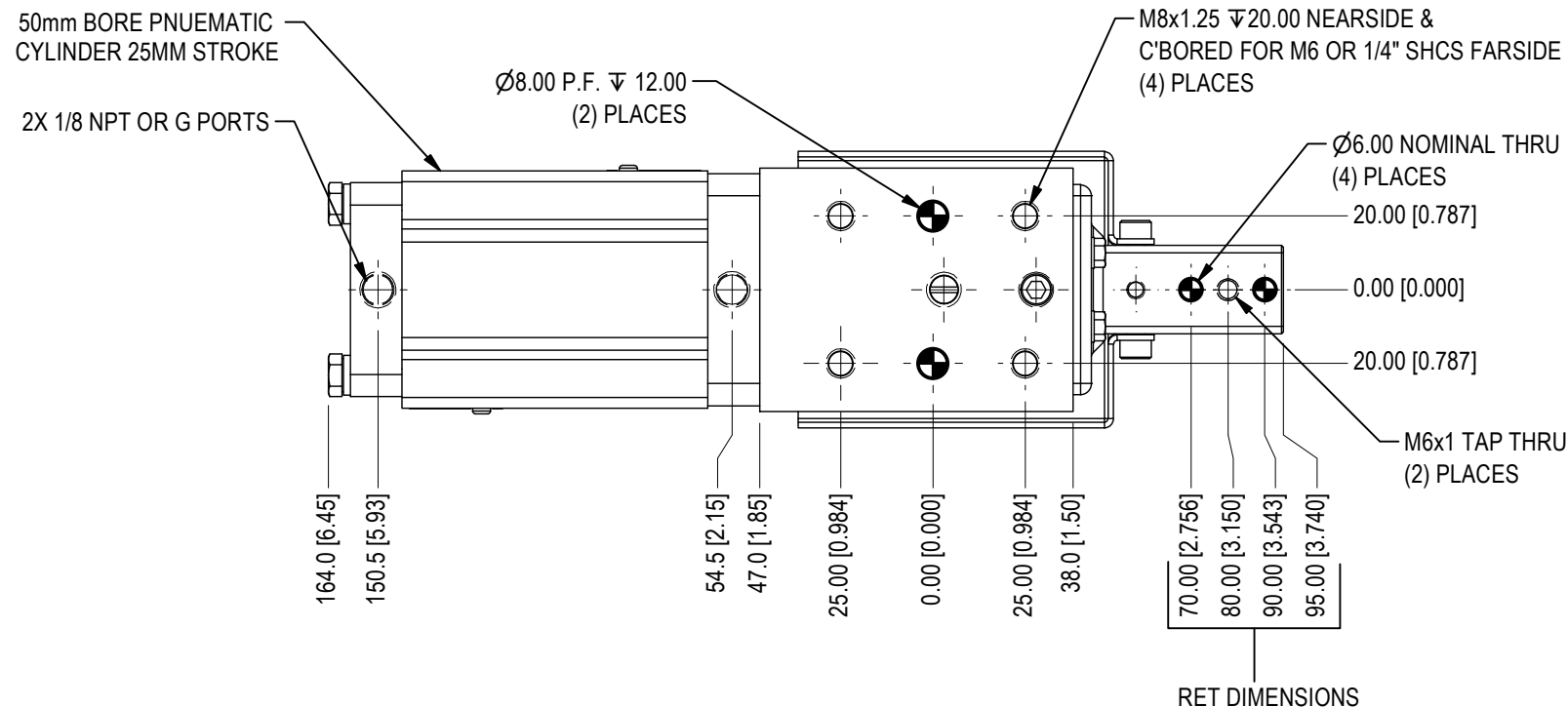
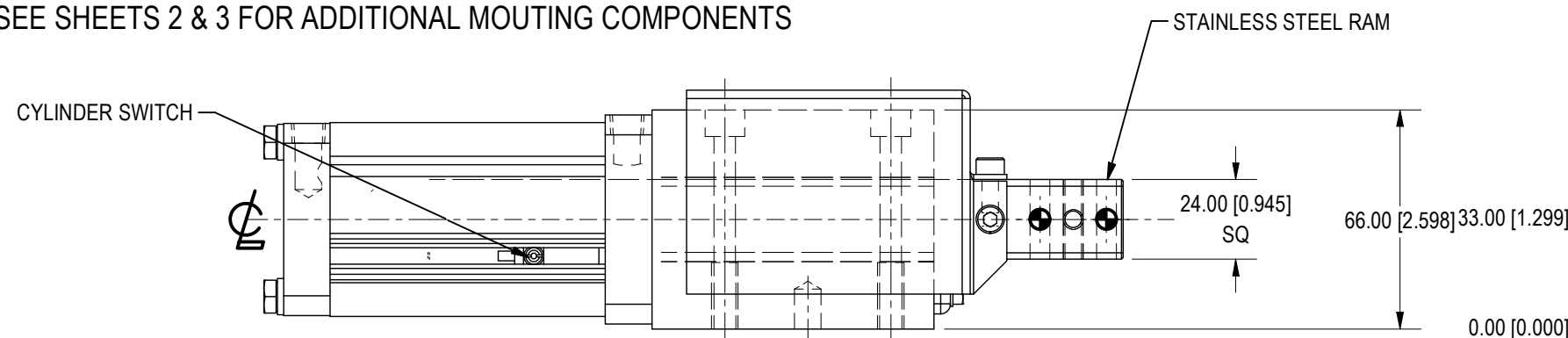
Detent (See Note)
0 None

Port Position
1 Port Position (Shown)
2 Port Position
3 Po Port Position
4 Port Position

NOTE: Detent option is intended to hold ram in extended position due to loss of air pressure. Detent is not designed to hold GEO location. Tooling weight is not to exceed 12lbs [5kg] vertical. Available for 25-50mm strokes. Body length and cylinder length will increase for 75mm Detent option. Please refer to sheet #2 for 75mm stroke detent dimension.

SYM	CHANGES	DATE	BY
-----	---------	------	----

SEE SHEETS 2 & 3 FOR ADDITIONAL MOUNTING COMPONENTS



APPLICATION WINDOW
TOOLING MUST BE WITHIN THE APPROVED APPLICATION WINDOW FROM END OF RAM

OPERATING PRESSURE - MIN 60psi = 182lbf [82.5kgf] EXT FORCE - 169lbf [76.6kgf] RETRACT FORCE
 MAX 120psi = 362lbf [164.2kgf] EXT FORCE - 338.5lbf [153.5kgf] RETRACT FORCE
 LOAD RATING - MAX TOOLING WT=22.5lbs [10kg], MAX GEO CONTACT OFFSET IS 100mm. MAX SIDE LOAD IS 55lbs [25kg]

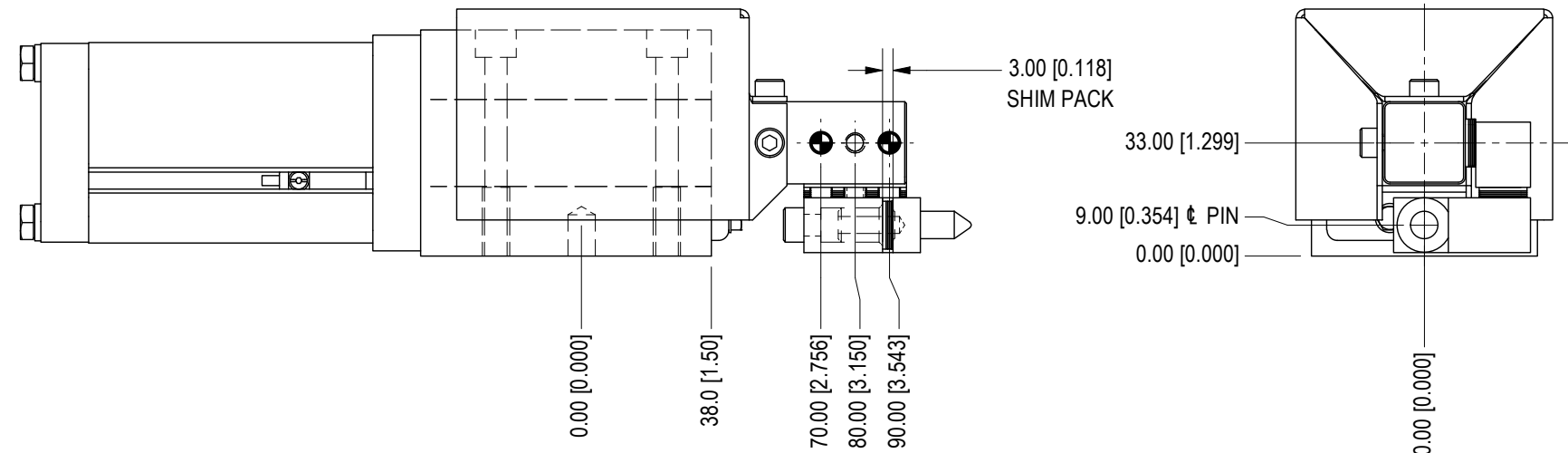
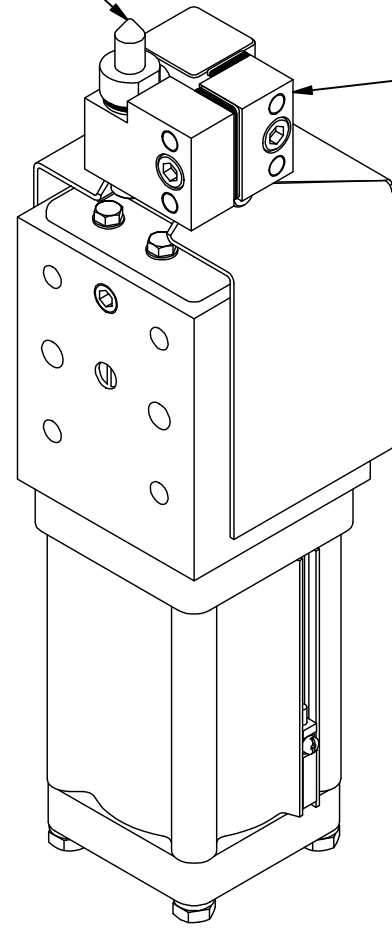
UNIT WEIGHT = 5.6 lbs

 7200 MILLER DR. WARREN, MI 48092 EE-CP.COM	NOTICE: THIS DRAWING IS PROPERTY OF E&E CUSTOM PRODUCTS INCLUDING THE PRINCIPLES OF THE DESIGN INVOLVED, AND IS SUBMITTED WITH AGREEMENT THAT IT IS NOT TO BE REPRODUCED, COPIED, OR LOANED, IN PART OR WHOLE, ACCEPTANCE OF THIS DRAWING WILL BE CONSTRUED AS AN AGREEMENT TO THE ABOVE		
	TITLE 24 SERIES COMPACT SHOT PIN		
	PART NO.		
	DRAWN BY: EE	CHK'D BY: EC	APPR'D BY: MH
	DATE: 3/21/2023	DATE: 3/21/2023	DATE: 3/21/2023
SCALE: 1/2	DWG. NO. CSP24-Template-GESTAMP		
SHT 1 OF 2			

SYM	CHANGES	DATE	BY
-----	---------	------	----

CLP-(SEE CALLOUT)
(COMPACT LOCATION PIN)

RPB-KIT
(RETRACTING PIN BLOCK KIT)



OPTIONS CAN BE MOUNTED TO
ANY SIDE OF RAM

MOUNTING CONFIGURATION SHOWN FOR REF ONLY
PLEASE SEE THE COMPACT COMPONENTS TEMPLATE FOR ORDRING INFORMATION

	<small>NOTICE: THIS DRAWING IS PROPERTY OF E&E CUSTOM PRODUCTS INCLUDING THE PRINCIPLES OF THE DESIGN INVOLVED, AND IS SUBMITTED WITH AGREEMENT THAT IT IS NOT TO BE REPRODUCED, COPIED, OR LOANED, IN PART OR WHOLE, ACCEPTANCE OF THIS DRAWING WILL BE CONSTRUED AS AN AGREEMENT TO THE ABOVE</small>		
	TITLE 24 SERIES COMPACT SHOT PIN		
PART NO.			
DRAWN BY: EE DATE: 3/21/2023	CHK'D BY: EC DATE: 3/21/2023	APPR'D BY: MH DATE: 3/21/2023	
7200 MILLER DR. WARREN, MI 48092 EE-CP.COM	SCALE: 1/2 SHT 2 OF 2	DWG. NO. CSP24-Template-GESTAMP	