

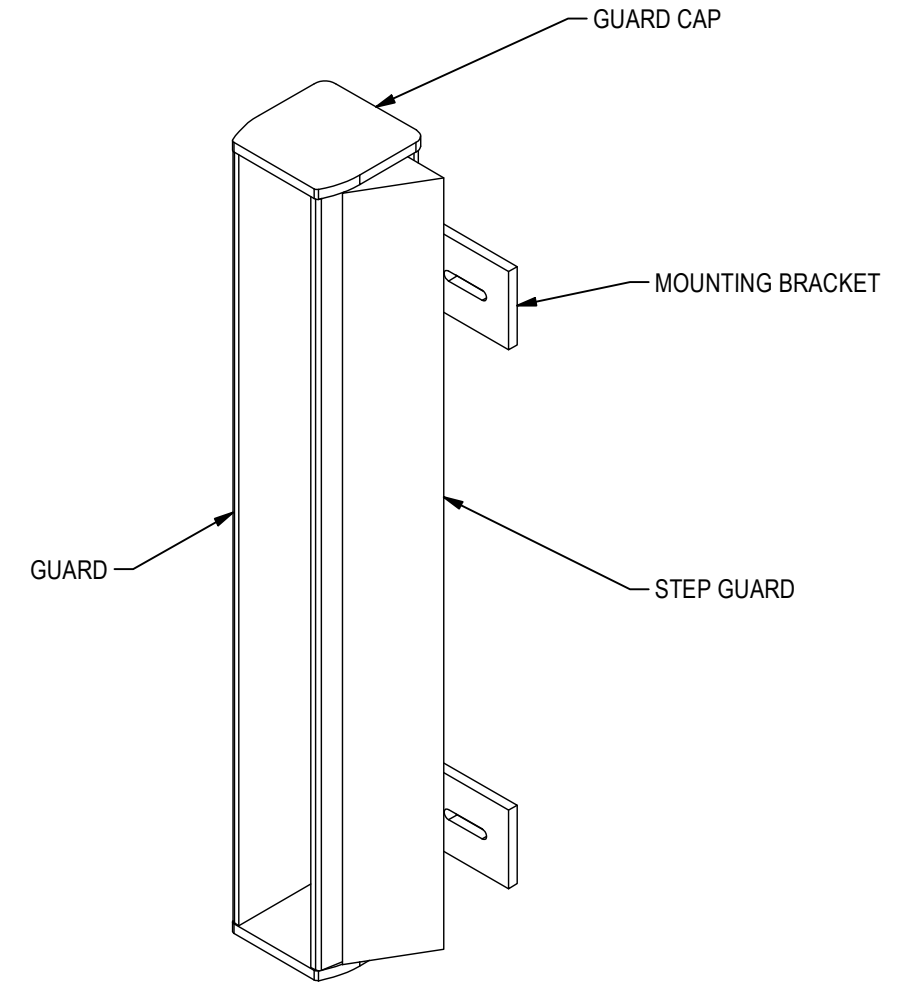
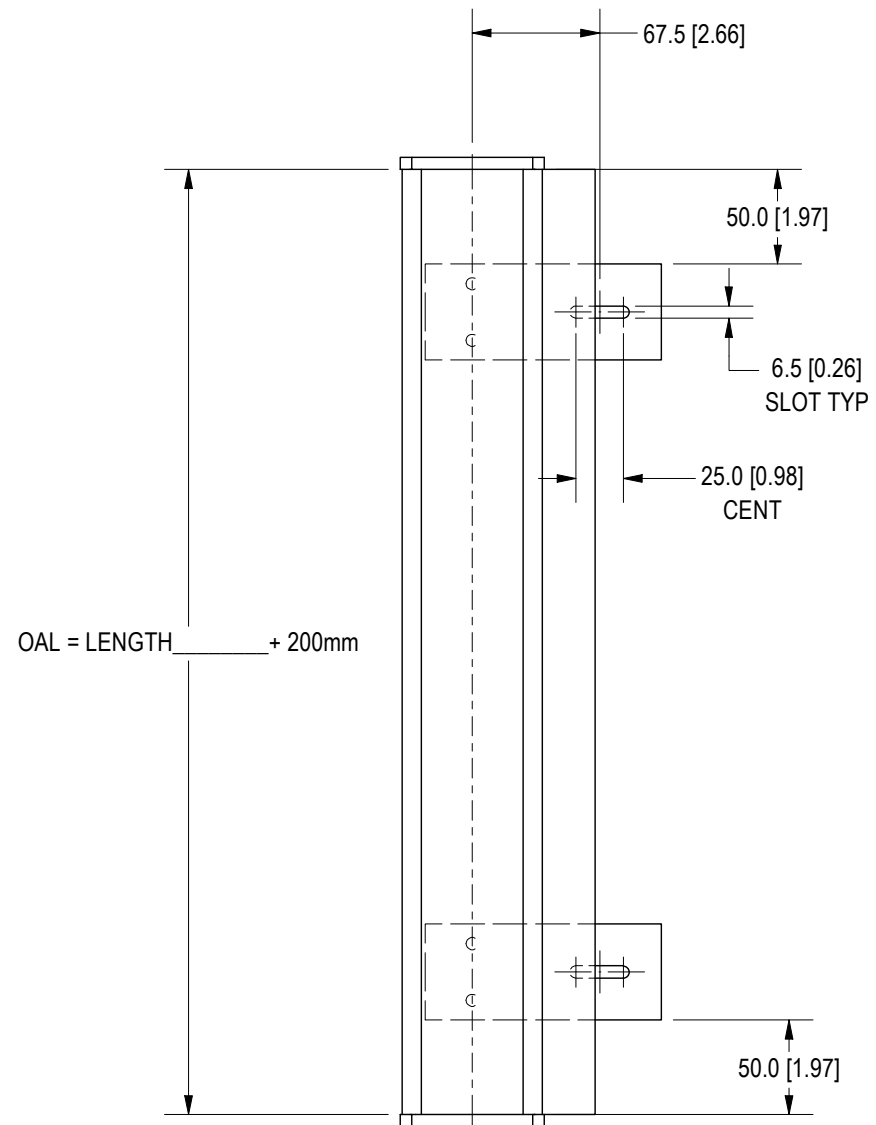
SYM	CHANGES	DATE	BY
-----	---------	------	----

ORDERING INFORMATION

FMH - [] [] [] [] 0 4 0

Length
 0300 = 300
 0300, 0600, 0900,
 1200, 1500, 1800

INCLUDED IN ASSEMBLY:
 (1) GUARD
 (1) STEP GUARD
 (2) GUARD CAPS
 (2) MOUNTING BRACKETS



 7200 MILLER DR. WARREN, MI 48092 EE-CP.COM	NOTICE: THIS DRAWING IS PROPERTY OF E&E CUSTOM PRODUCTS INCLUDING THE PRINCIPLES OF THE DESIGN INVOLVED, AND IS SUBMITTED WITH AGREEMENT THAT IT IS NOT TO BE REPRODUCED, COPIED, OR LOANED, IN PART OR WHOLE, ACCEPTANCE OF THIS DRAWING WILL BE CONSTRUED AS AN AGREEMENT TO THE ABOVE		
	TITLE FENCE MOUNT LIGHT SCREEN GUARD		
	PART NO.		
	DRAWN BY: EE DATE: 3/21/2023	CHK'D BY: EC DATE: 3/21/2023	APPR'D BY: MH DATE: 3/21/2023
SCALE: 1/4 SHT 1 OF 1		DWG. NO. FMH-LENGTH-040 TEMPLATE-GESTAMP	