

SYM	CHANGES	DATE	BY
-----	---------	------	----

### ORDERING INFORMATION

FSP - [ ] [ ] [ ] N S [ ] E

**Stroke**  
025 & 050

**Actuator**  
N Pneumatic - NPT Ports

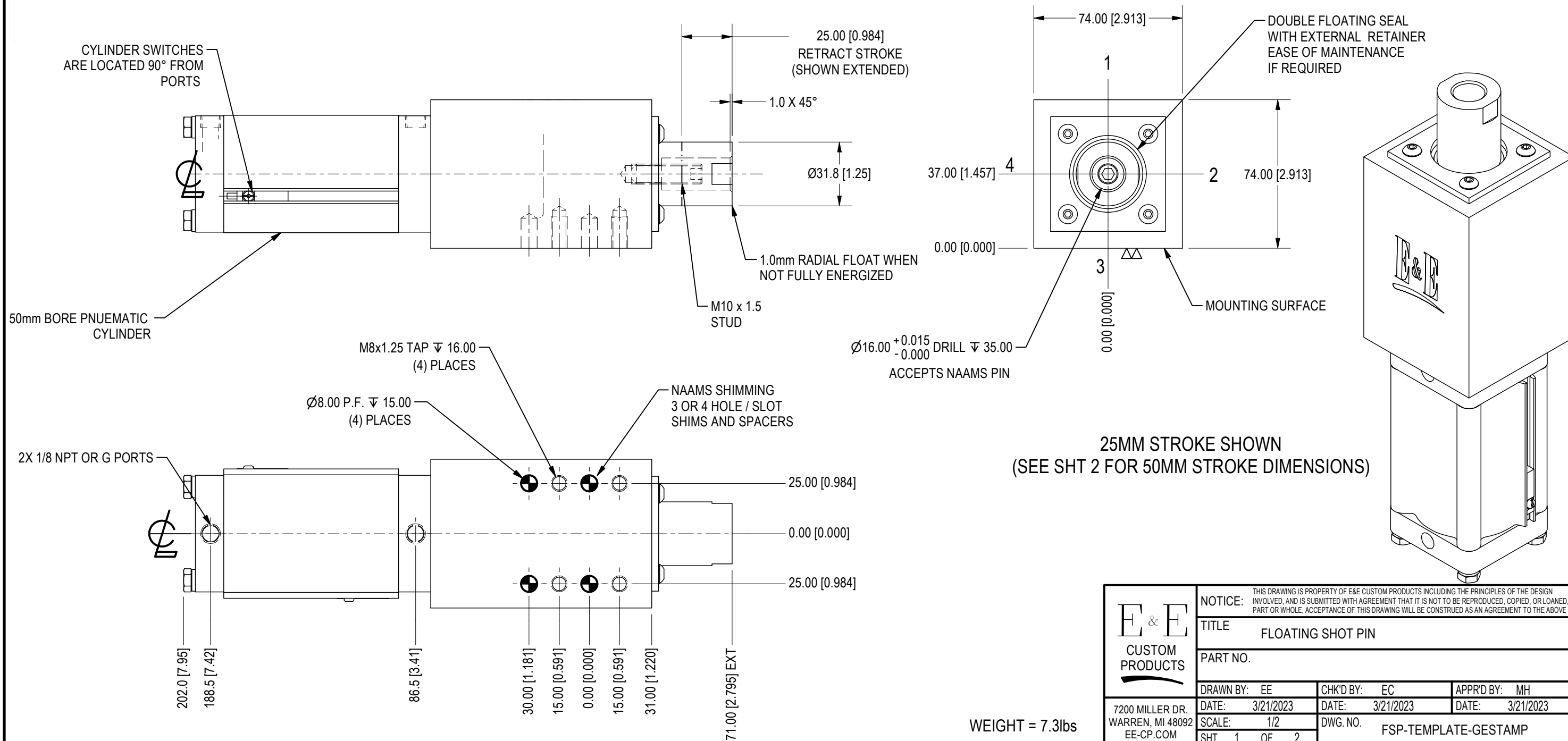
**Switch**  
S Sick (Standard) Weld Immune

**Switch Position**  
E S01 Ext Pos (Std)

**Port Position**  
1 Port Position (Shown)  
2 Port Position  
3 Port Position  
4 Port Position

\*\*ACCEPTS NAAMS STYLE PINS  
\*\*25MM AND 50MM RETRACT

**PATENT PENDING**



<p>7200 MILLER DR. WARREN, MI 48092 EE-CP.COM</p>	<p>NOTICE: THIS DRAWING IS PROPERTY OF E&amp;E CUSTOM PRODUCTS INCLUDING THE PRINCIPLES OF THE DESIGN INVOLVED, AND IS SUBMITTED WITH AGREEMENT THAT IT IS NOT TO BE REPRODUCED, COPIED, OR LOANED, IN PART OR WHOLE, ACCEPTANCE OF THIS DRAWING WILL BE CONSTRUED AS AN AGREEMENT TO THE ABOVE</p>		
	<p>TITLE FLOATING SHOT PIN</p>		
	<p>PART NO.</p>		
	<p>DRAWN BY: EE</p>	<p>CHK'D BY: EC</p>	<p>APPR'D BY: MH</p>
	<p>DATE: 3/21/2023</p>	<p>DATE: 3/21/2023</p>	<p>DATE: 3/21/2023</p>
<p>SCALE: 1/2</p>	<p>DWG. NO. FSP-TEMPLATE-GESTAMP</p>		
<p>SHT 1 OF 2</p>			

WEIGHT = 7.3lbs

