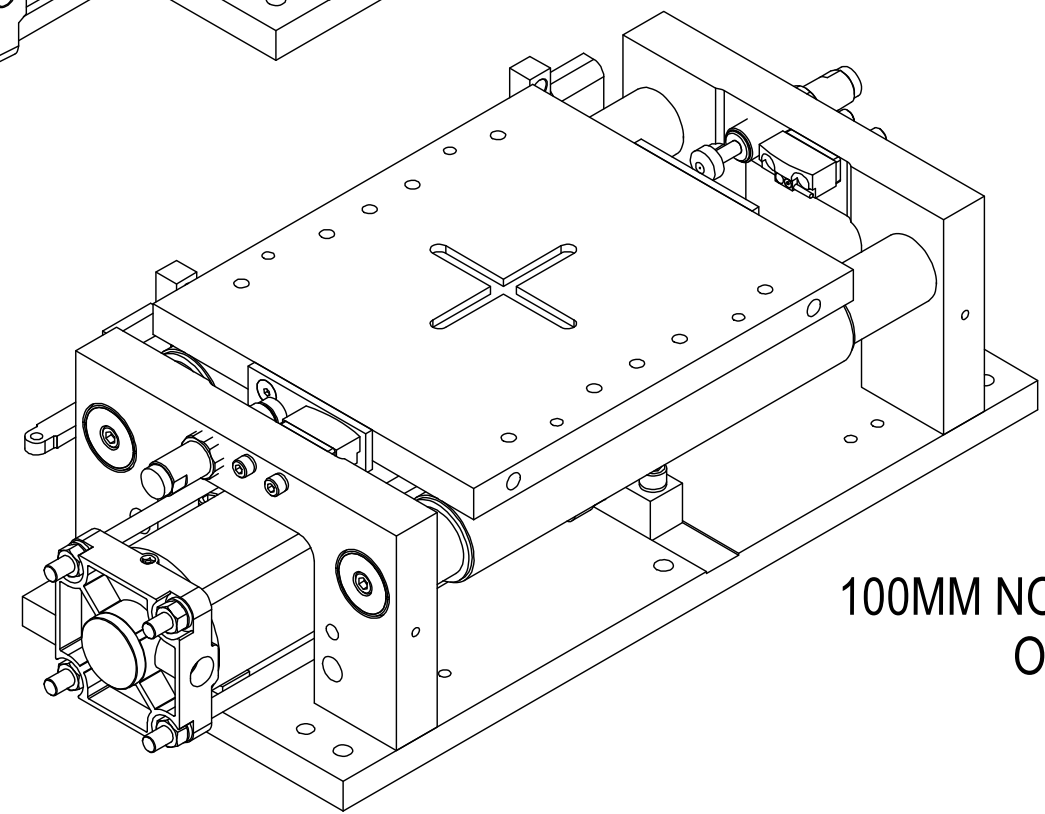


100MM BORE LOCKING CYLINDER  
OPTION SHOWN



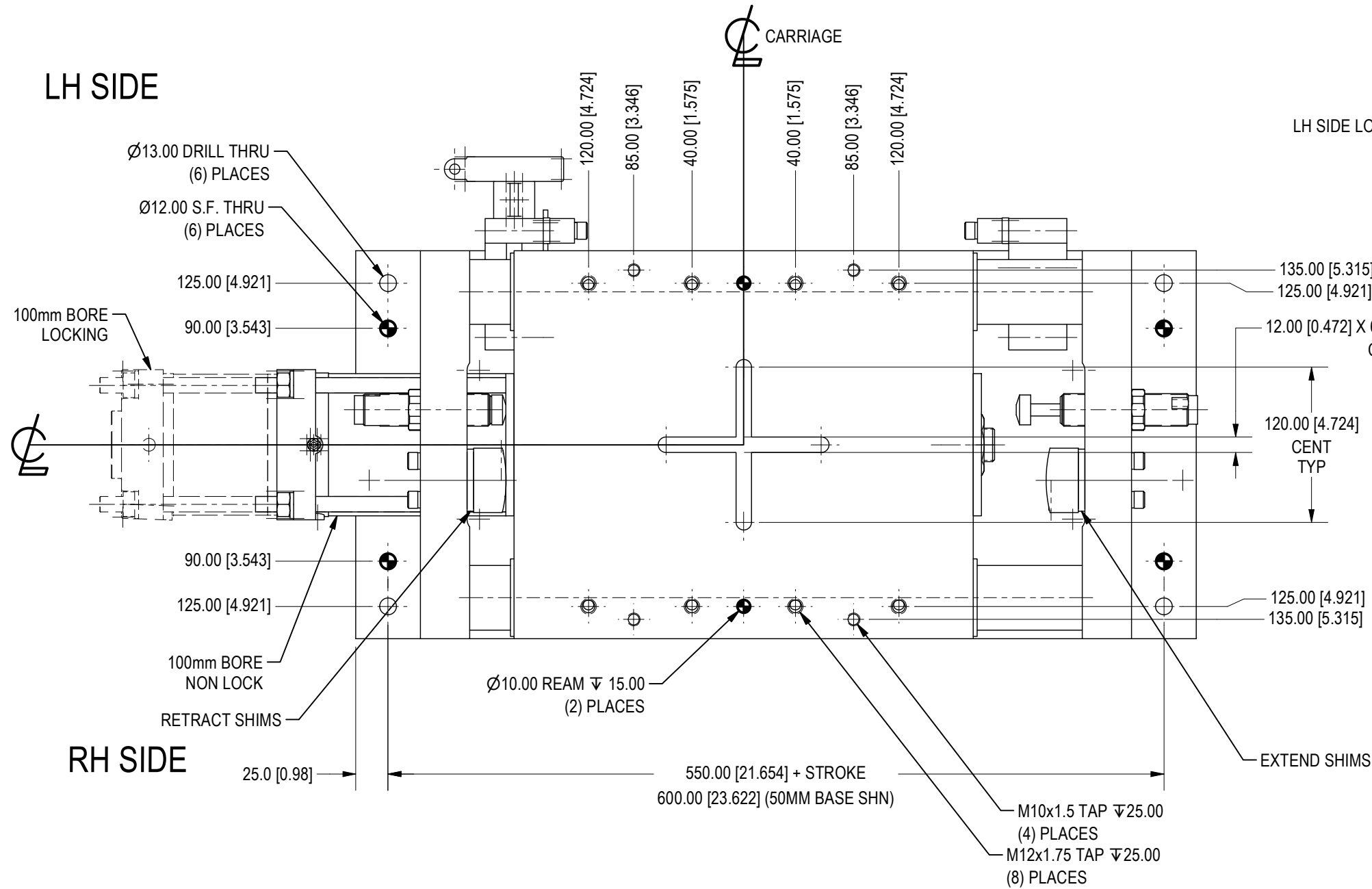
100MM NON-LOCKING CYLINDER  
OPTION SHOWN

SYM	CHANGES						DATE	BY
LS5							I	0
<b>STROKE</b>								
050	50mm to 500mm							
	25mm INCREMENTS							
<b>CYLINDER OPTIONS</b>								
0N	Non-Locking NPT Ports							
LN	Locking NPT Ports							
<b>LOCKOUT LOCATION</b>								
0	None							
R	RH Side							
L	LH Side (Shown)							
<b>RETRACT SHIMS</b>								
	Whole mm							
00	None							
<b>EXTEND SHIMS</b>								
	Whole mm							
00	None							
<b>INTELLIGENT STOP</b>								
I	E&E Intelligent Stop (Lockout can be ordered on either side)							
<b>SWITCH READY</b>								
0	None							

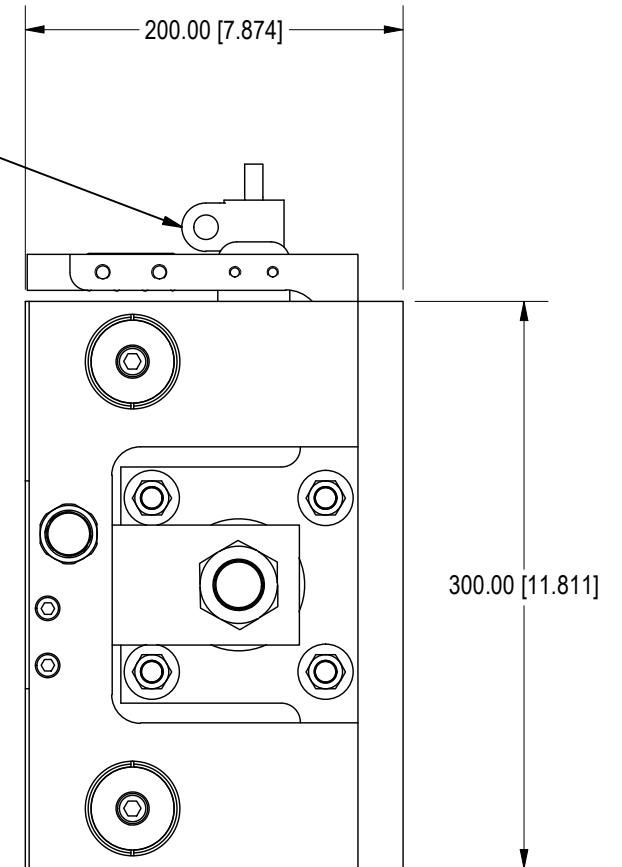
<p>7200 MILLER DR. WARREN, MI 48092 EE-CP.COM</p>	<small>NOTICE: THIS DRAWING IS PROPERTY OF E&amp;E CUSTOM PRODUCTS INCLUDING THE PRINCIPLES OF THE DESIGN INVOLVED, AND IS SUBMITTED WITH AGREEMENT THAT IT IS NOT TO BE REPRODUCED, COPIED, OR LOANED, IN PART OR WHOLE, ACCEPTANCE OF THIS DRAWING WILL BE CONSTRUED AS AN AGREEMENT TO THE ABOVE</small>		
	TITLE LS5 SLIDE		
	PART NO.		
	DRAWN BY: EE	CHK'D BY: EC	APPR'D BY: MH
	DATE: 3/27/2023	DATE: 3/27/2023	DATE: 3/27/2023
SCALE: 1/5	DWG. NO. LS5 Template GESTAMP		
SHT 1 OF 4			

SYM	CHANGES	DATE	BY
-----	---------	------	----

LH SIDE

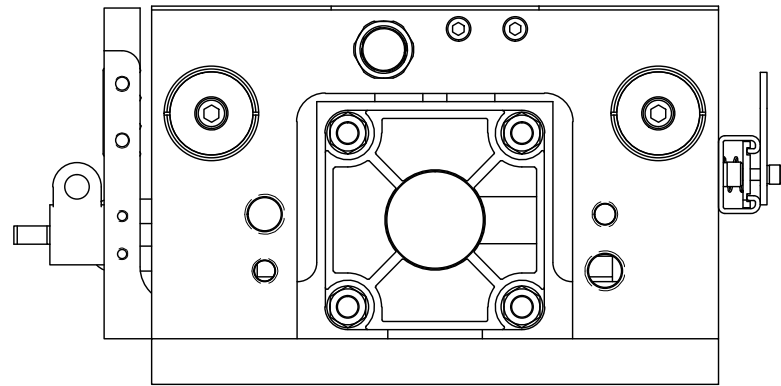


RH SIDE

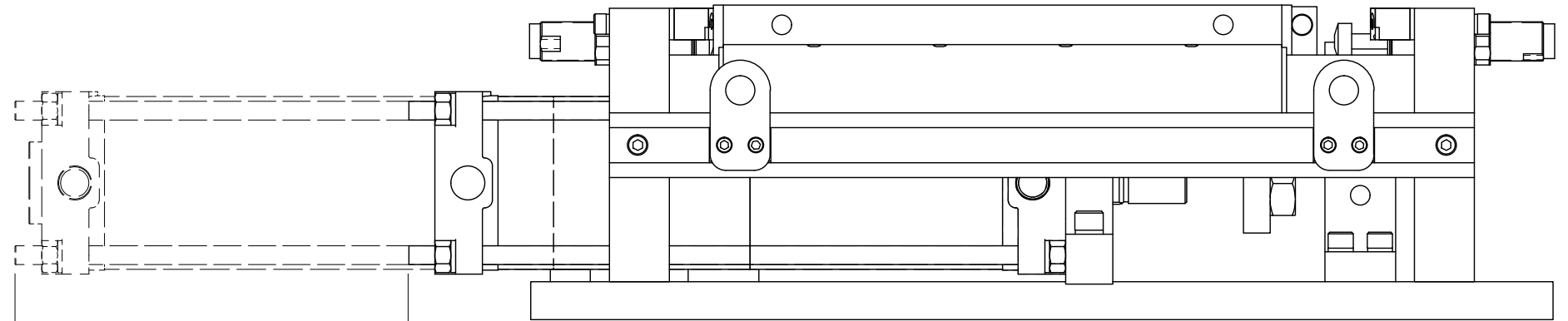


	<small>NOTICE: THIS DRAWING IS PROPERTY OF E&amp;E CUSTOM PRODUCTS INCLUDING THE PRINCIPLES OF THE DESIGN INVOLVED, AND IS SUBMITTED WITH AGREEMENT THAT IT IS NOT TO BE REPRODUCED, COPIED, OR LOANED, IN PART OR WHOLE, ACCEPTANCE OF THIS DRAWING WILL BE CONSTRUED AS AN AGREEMENT TO THE ABOVE</small>		
	TITLE LS5 SLIDE		
	PART NO.		
	DRAWN BY: EE	CHK'D BY: EC	APPR'D BY: MH
7200 MILLER DR. WARREN, MI 48092 EE-CP.COM	DATE: 3/27/2023	DATE: 3/27/2023	DATE: 3/27/2023
	SCALE: 1/4	DWG. NO. LS5 Template GESTAMP	
	SHT 2 OF 4		

SYM	CHANGES	DATE	BY
-----	---------	------	----

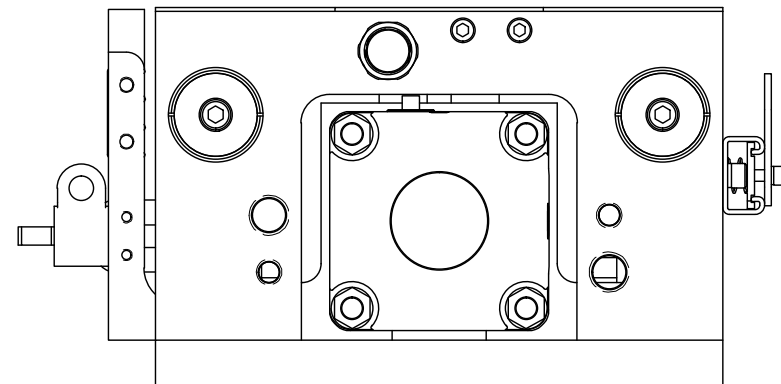


NON LOCK OPTION  
(SWITCH READY RH SIDE SHOWN)

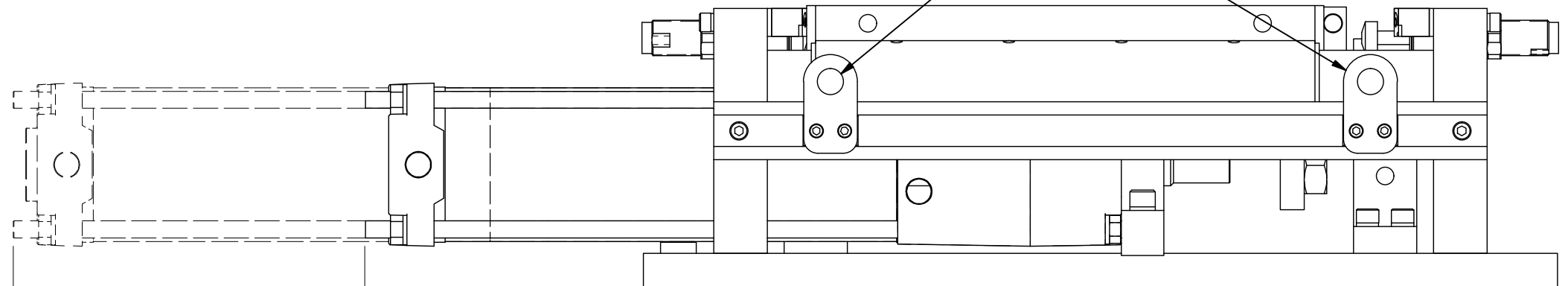


328.00 [12.913]  
(251mm TO 500mm STROKE)

78.00 [3.071]  
(5mm TO 250mm STROKE)



LOCKING OPTION  
(SWITCH READY RH SIDE SHOWN)



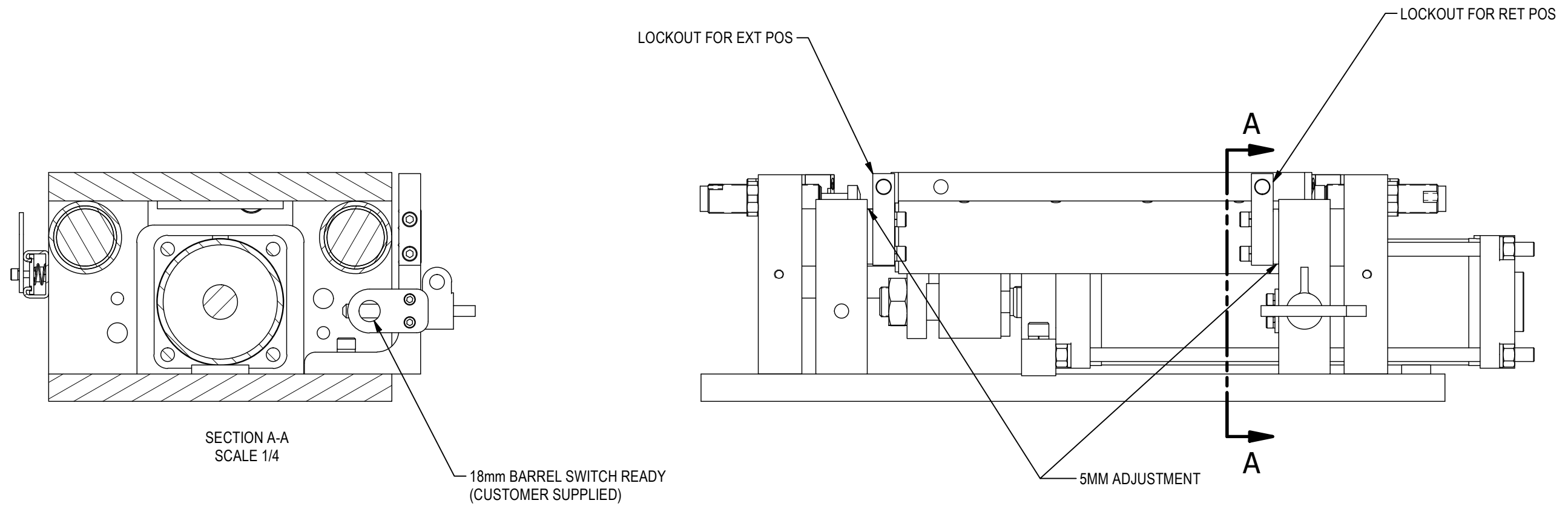
448.00 [17.638]  
(251mm TO 500mm STROKE)

198.00 [7.795]  
(5mm TO 250mm STROKE)

18mm SWITCH READY  
(CUSTOMER SUPPLIED)

<p>7200 MILLER DR. WARREN, MI 48092 EE-CP.COM</p>	<small>NOTICE: THIS DRAWING IS PROPERTY OF E&amp;E CUSTOM PRODUCTS INCLUDING THE PRINCIPLES OF THE DESIGN INVOLVED, AND IS SUBMITTED WITH AGREEMENT THAT IT IS NOT TO BE REPRODUCED, COPIED, OR LOANED, IN PART OR WHOLE, ACCEPTANCE OF THIS DRAWING WILL BE CONSTRUED AS AN AGREEMENT TO THE ABOVE</small>		
	TITLE LS5 SLIDE		
	PART NO.		
	DRAWN BY: EE	CHK'D BY: EC	APPR'D BY: MH
DATE: 3/27/2023	DATE: 3/27/2023	DATE: 3/27/2023	
SCALE: 1/4	DWG. NO. LS5 Template GESTAMP		
SHT 3 OF 4			

SYM	CHANGES	DATE	BY
-----	---------	------	----



LH LOCKOUT  
LOCATION SHOWN

NOTE: SHIMS REMOVED FROM STOP BLOCKS ARE TO BE PLACED  
BEHIND THE LOCKOUT BLOCK USED FOR THAT POSITON

	<small>THIS DRAWING IS PROPERTY OF E&amp;E CUSTOM PRODUCTS INCLUDING THE PRINCIPLES OF THE DESIGN INVOLVED, AND IS SUBMITTED WITH AGREEMENT THAT IT IS NOT TO BE REPRODUCED, COPIED, OR LOANED, IN PART OR WHOLE, ACCEPTANCE OF THIS DRAWING WILL BE CONSTRUED AS AN AGREEMENT TO THE ABOVE</small>		
	TITLE LS5 SLIDE		
	PART NO.		
	DRAWN BY: EE	CHK'D BY: EC	APPR'D BY: MH
7200 MILLER DR. WARREN, MI 48092 EE-CP.COM	DATE: 3/27/2023	DATE: 3/27/2023	DATE: 3/27/2023
	SCALE: 1/4	DWG. NO. LS5 Template GESTAMP	
	SHT 4 OF 4		