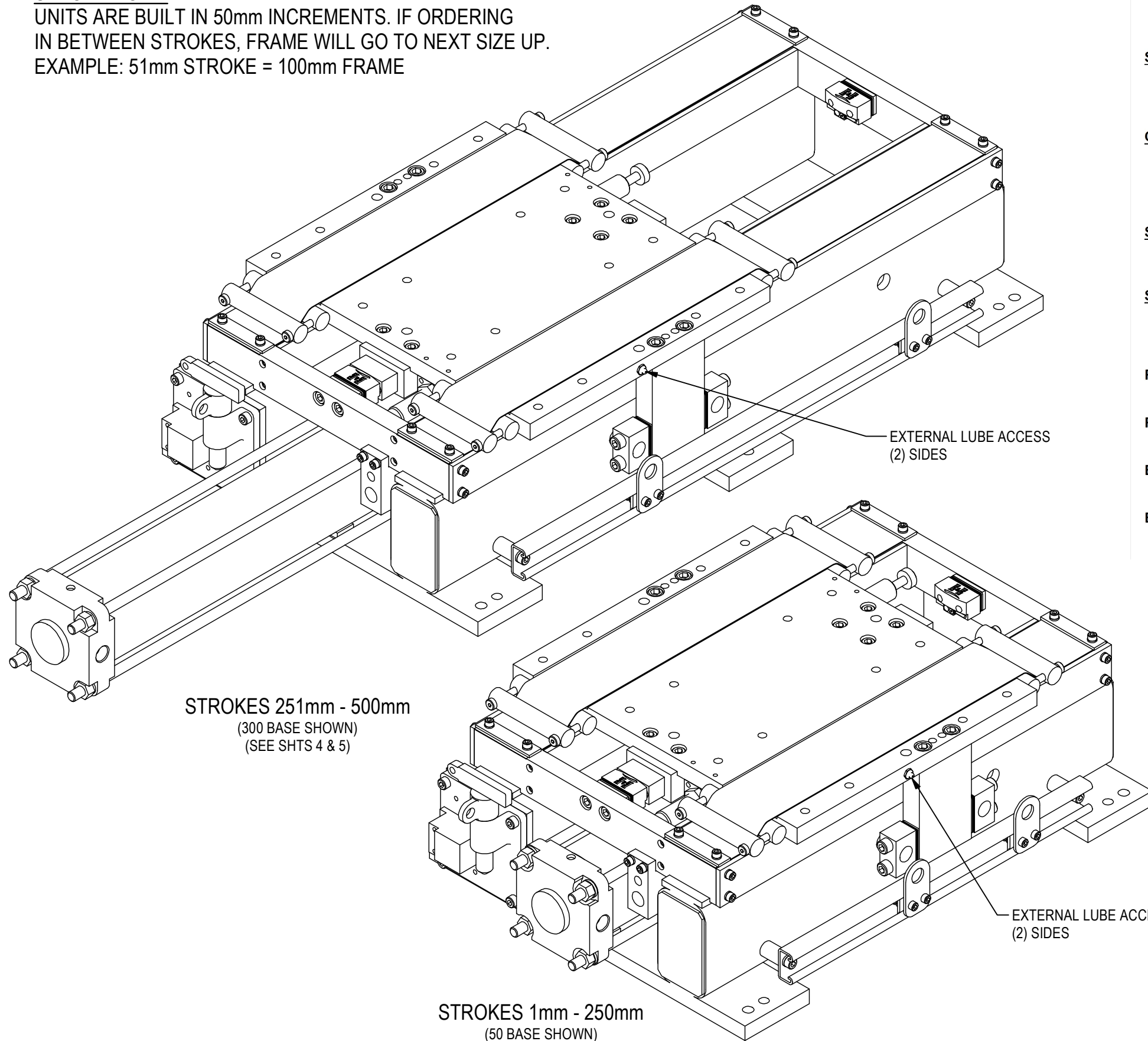


STROKE NOTE:

UNITS ARE BUILT IN 50mm INCREMENTS. IF ORDERING IN BETWEEN STROKES, FRAME WILL GO TO NEXT SIZE UP.
EXAMPLE: 51mm STROKE = 100mm FRAME



STROKES 251mm - 500mm
(300 BASE SHOWN)
(SEE SHTS 4 & 5)

STROKES 1mm - 250mm
(50 BASE SHOWN)
(SEE SHEETS 2 & 3)

ORDERING INFORMATION

PS100 I 0

Stroke
001 50mm TO 500mm
In 1mm INCREMENTS
(See Stroke Note)

Cylinder Options
ON Non-Locking NPT Ports
LN Locking NPT Ports

Switch
I Intelligent Stop (Lockout accessible both sides)

Switch Ready
0 None

Retract Shims - Whole mm
0 See Shim Chart

Retract Shims - Quarter mm
0 See Shim Chart

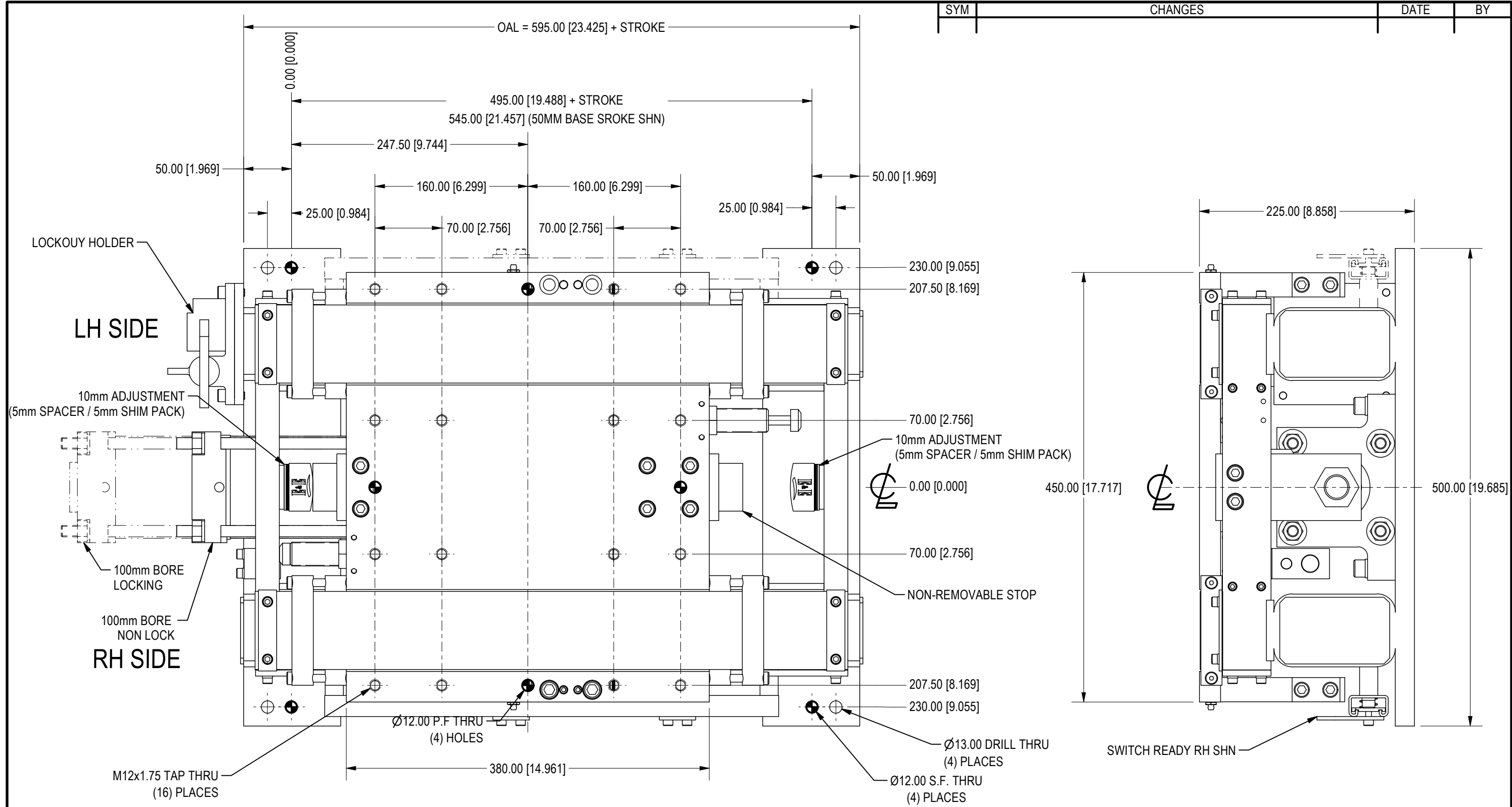
Extend Shims - Whole mm
0 See Shim Chart

Extend Shims - Quarter mm
0 See Shim Chart

SHORT STROKE SHIM CHART					
WHOLE MILLIMETER CODE				QUARTER MM CODES	
CODE	THK-mm	CODE	THK-mm	CODE	THK-mm
0	0	G	16	0	0.00
1	1	H	17	A	0.25
2	2	J	18	B	0.50
3	3	K	19	C	0.75
4	4	L	20		
5	5	M	21		
6	6	N	22		
7	7	P	23		
8	8	R	24		
9	9	S	25		
A	10	T	26		
B	11	U	27		
C	12	V	28		
D	13	W	29		
E	14	X	30		
F	15				

<p>7200 MILLER DR. WARREN, MI 48092 EE-CP.COM</p>	<p>NOTICE: THIS DRAWING IS PROPERTY OF E&E CUSTOM PRODUCTS INCLUDING THE PRINCIPLES OF THE DESIGN INVOLVED, AND IS SUBMITTED WITH AGREEMENT THAT IT IS NOT TO BE REPRODUCED, COPIED, OR LOANED, IN PART OR WHOLE, ACCEPTANCE OF THIS DRAWING WILL BE CONSTRUED AS AN AGREEMENT TO THE ABOVE</p>		
	<p>TITLE 100mm BORE PNEUMATIC SLIDE</p>		
	<p>PART NO.</p>		
	<p>DRAWN BY:</p>	<p>CHK'D BY:</p>	<p>APPR'D BY:</p>
<p>DATE:</p>	<p>DATE:</p>	<p>DATE:</p>	
<p>SCALE: 1/5</p>	<p>DWG. NO. PS100-TEMPLATE GESTAMP</p>		
<p>SHT 1 OF 5</p>			

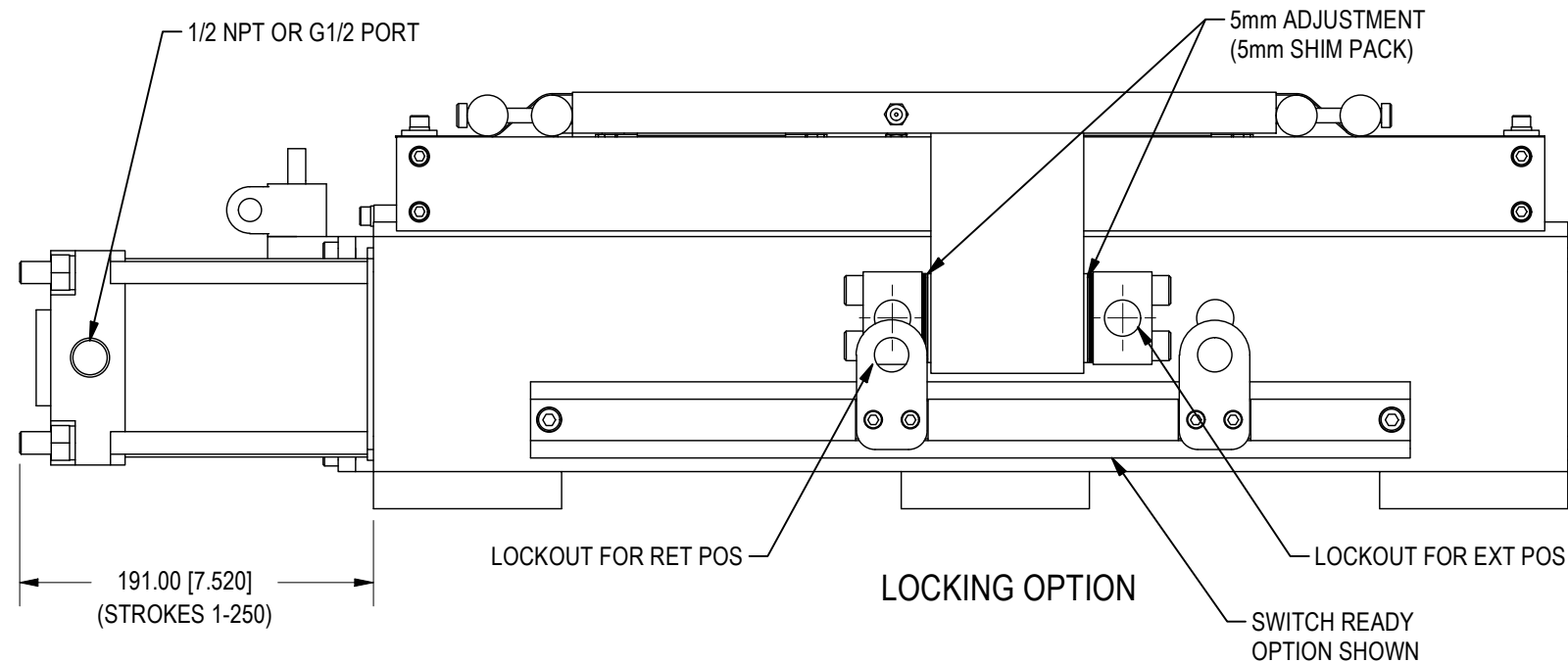
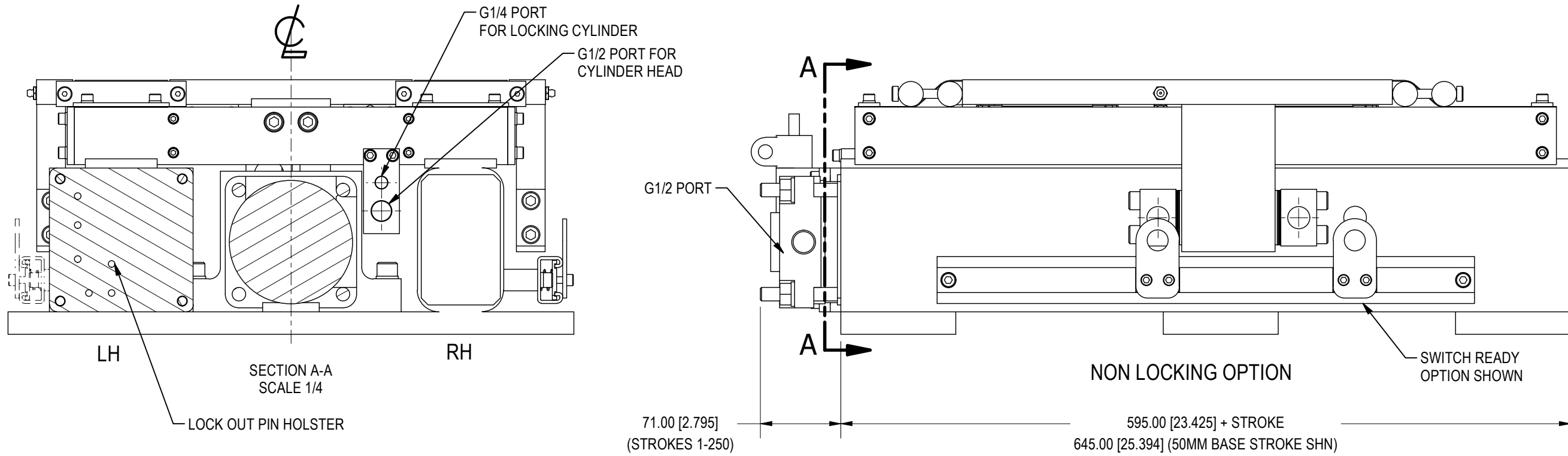
SYM	CHANGES	DATE	BY
-----	---------	------	----



CYLINDER PORTS ALWAYS FACE RH SIDE

 7200 MILLER DR. WARREN, MI 48092 EE-CP.COM	NOTICE: THIS DRAWING IS PROPERTY OF E&E CUSTOM PRODUCTS INCLUDING THE PRINCIPLES OF THE DESIGN INVOLVED, AND IS SUBMITTED WITH AGREEMENT THAT IT IS NOT TO BE REPRODUCED, COPIED, OR LOANED, IN PART OR WHOLE, ACCEPTANCE OF THIS DRAWING WILL BE CONSTRUED AS AN AGREEMENT TO THE ABOVE		
	TITLE 100mm BORE PNEUMATIC SLIDE		
	PART NO.		
	DRAWN BY:	CHK'D BY:	APPR'D BY:
	DATE:	DATE:	DATE:
SCALE: 1/4 SHT 2 OF 5		DWG. NO. PS100-TEMPLATE GESTAMP	

SYM	CHANGES	DATE	BY
-----	---------	------	----

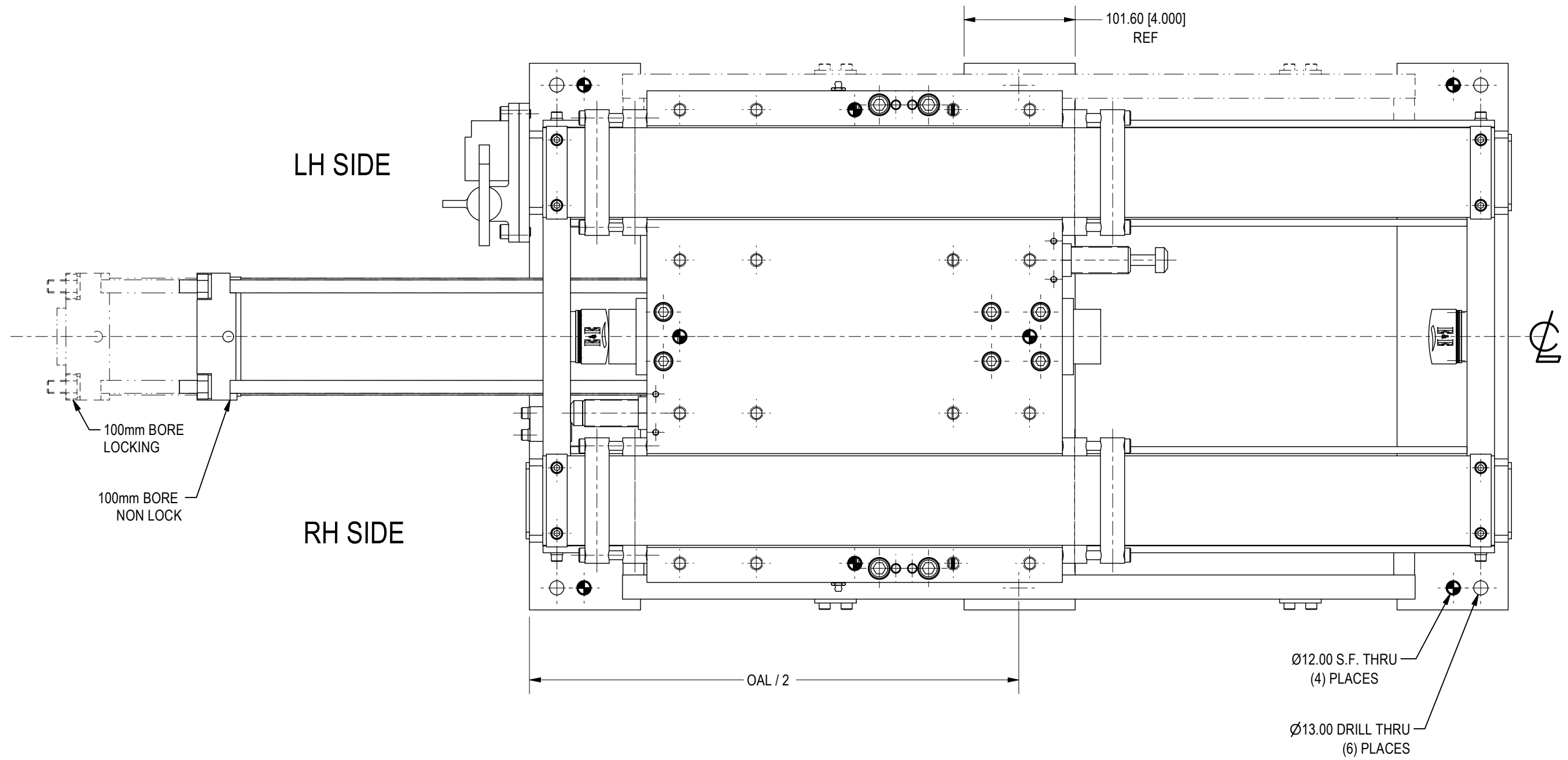


NOTE:
IF SHIMS ARE REMOVED FROM STOP BLOCK, SHIMS MUST ALSO BE REMOVED FROM LOCKOUT CLOSEST TO ALTERED STOP.
IF SHORT STROKE IS DESIRED, THE AMOUNT OF SHIMMING ADDED TO THE STOP BLOCK ALSO NEEDS TO BE ADDED TO LOCKOUT BLOCK CLOSEST TO THE ALTERED STOP.

FOR STROKES BETWEEN 1mm - 250mm

 7200 MILLER DR. WARREN, MI 48092 EE-CP.COM	NOTICE: THIS DRAWING IS PROPERTY OF E&E CUSTOM PRODUCTS INCLUDING THE PRINCIPLES OF THE DESIGN INVOLVED, AND IS SUBMITTED WITH AGREEMENT THAT IT IS NOT TO BE REPRODUCED, COPIED, OR LOANED, IN PART OR WHOLE, ACCEPTANCE OF THIS DRAWING WILL BE CONSTRUED AS AN AGREEMENT TO THE ABOVE		
	TITLE 100mm BORE PNEUMATIC SLIDE		
	PART NO.		
	DRAWN BY:	CHK'D BY:	APPR'D BY:
DATE:	DATE:	DATE:	
SCALE: 1/4	DWG. NO. PS100-TEMPLATE GESTAMP		
SHT 3 OF 5			

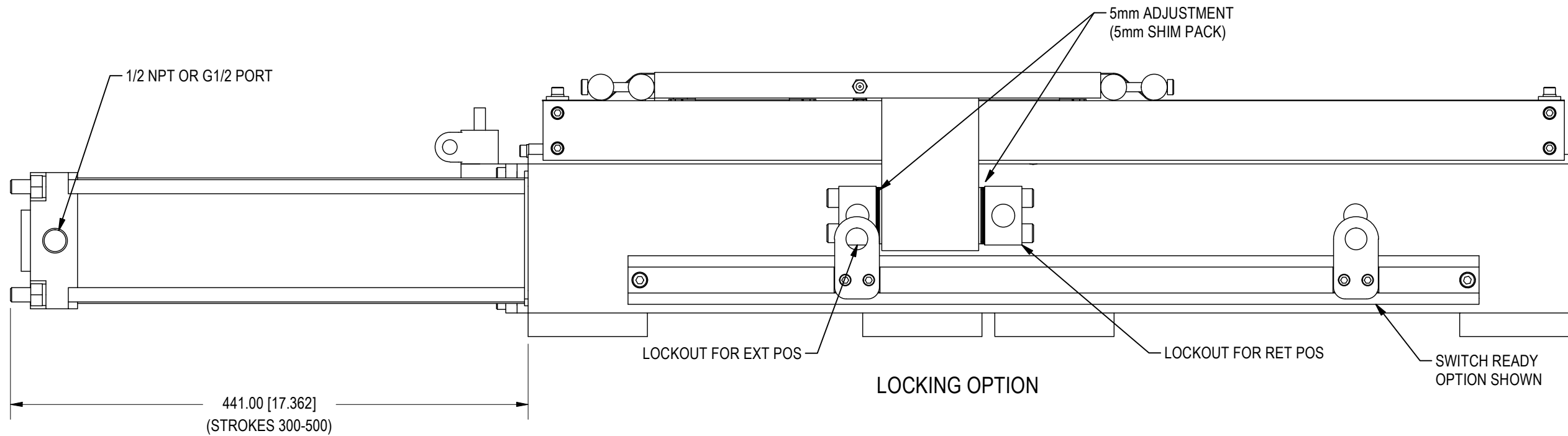
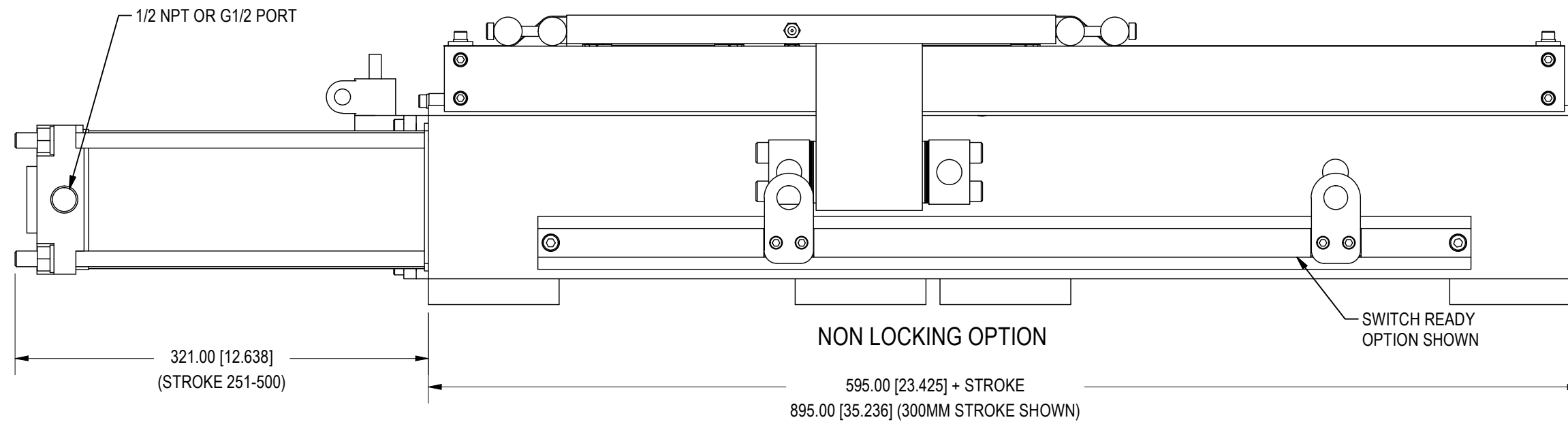
SYM	CHANGES	DATE	BY
-----	---------	------	----



FOR STROKES BETWEEN 251mm - 500mm
SEE SHT 2 FOR BASE DIMENSIONS

 7200 MILLER DR. WARREN, MI 48092 EE-CP.COM	NOTICE: THIS DRAWING IS PROPERTY OF E&E CUSTOM PRODUCTS INCLUDING THE PRINCIPLES OF THE DESIGN INVOLVED, AND IS SUBMITTED WITH AGREEMENT THAT IT IS NOT TO BE REPRODUCED, COPIED, OR LOANED, IN PART OR WHOLE, ACCEPTANCE OF THIS DRAWING WILL BE CONSTRUED AS AN AGREEMENT TO THE ABOVE		
	TITLE 100mm BORE PNEUMATIC SLIDE		
	PART NO.		
	DRAWN BY:	CHK'D BY:	APPR'D BY:
DATE:	DATE:	DATE:	
SCALE: 1/4	DWG. NO. PS100-TEMPLATE GESTAMP		
SHT 4 OF 5			

SYM	CHANGES	DATE	BY
-----	---------	------	----



NOTE:
 IF SHIMS ARE REMOVED FROM STOP BLOCK, SHIMS MUST ALSO BE REMOVED FROM LOCKOUT CLOSEST TO ALTERED STOP.
 IF SHORT STROKE IS DESIRED, THE AMOUNT OF SHIMING ADDED TO THE STOP BLOCK ALSO NEEDS TO BE ADDED TO LOCKOUT BLOCK CLOSEST TO THE ALTERED STOP.

FOR STROKES BETWEEN 251mm - 500mm

 7200 MILLER DR. WARREN, MI 48092 EE-CP.COM	NOTICE: THIS DRAWING IS PROPERTY OF E&E CUSTOM PRODUCTS INCLUDING THE PRINCIPLES OF THE DESIGN INVOLVED, AND IS SUBMITTED WITH AGREEMENT THAT IT IS NOT TO BE REPRODUCED, COPIED, OR LOANED, IN PART OR WHOLE, ACCEPTANCE OF THIS DRAWING WILL BE CONSTRUED AS AN AGREEMENT TO THE ABOVE		
	TITLE 100mm BORE PNEUMATIC SLIDE		
	PART NO.		
	DRAWN BY:	CHK'D BY:	APPR'D BY:
	DATE:	DATE:	DATE:
SCALE: 1/4	DWG. NO. PS100-TEMPLATE GESTAMP		
SHT 5 OF 5			