

**ORDERING INFORMATION**

SWP-1001- L N S

**Pin Style**  
 D 3-Finger Contact Datum  
 C 2-Finger Contact 2-Way  
 M 3-Finger Contact - Floating Pin

**Part Hole Size**  
 14.00 - 20.00mm  
 (19.00mm Dia Shown)

**Actuator Option**  
 L Locking Option

**Mounting Option**  
 0 No Mounting option - (Pin Clamp Only)  
 S Standard (Pilot mounted)  
 I Inverted mount  
 T Top mount

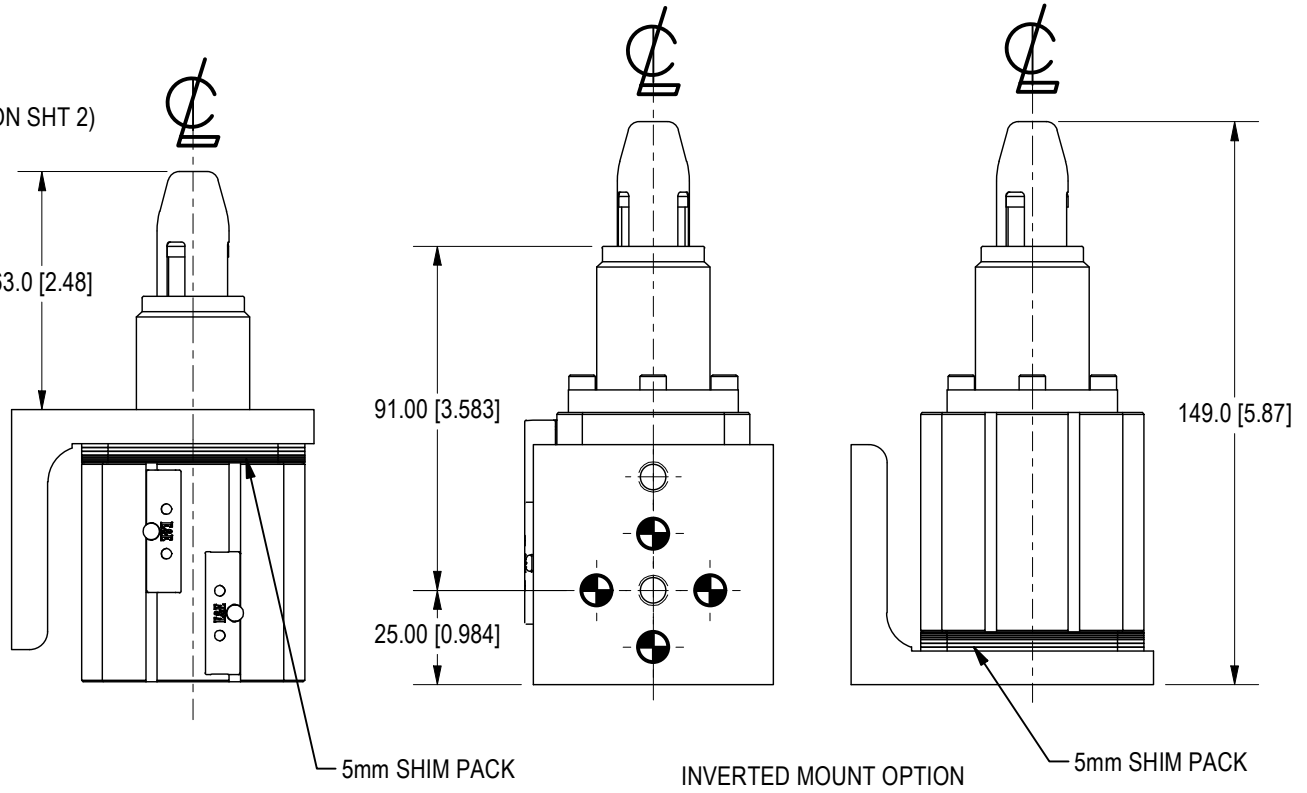
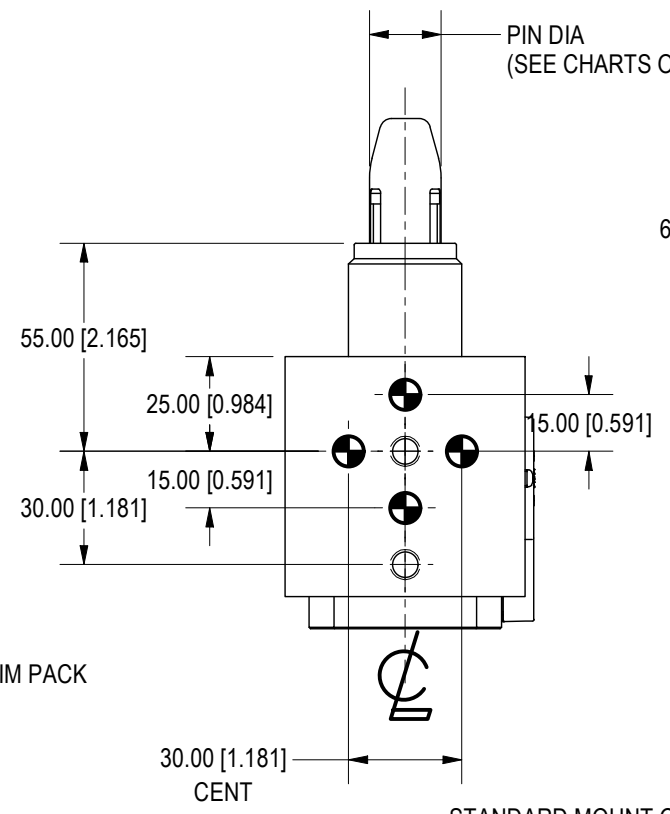
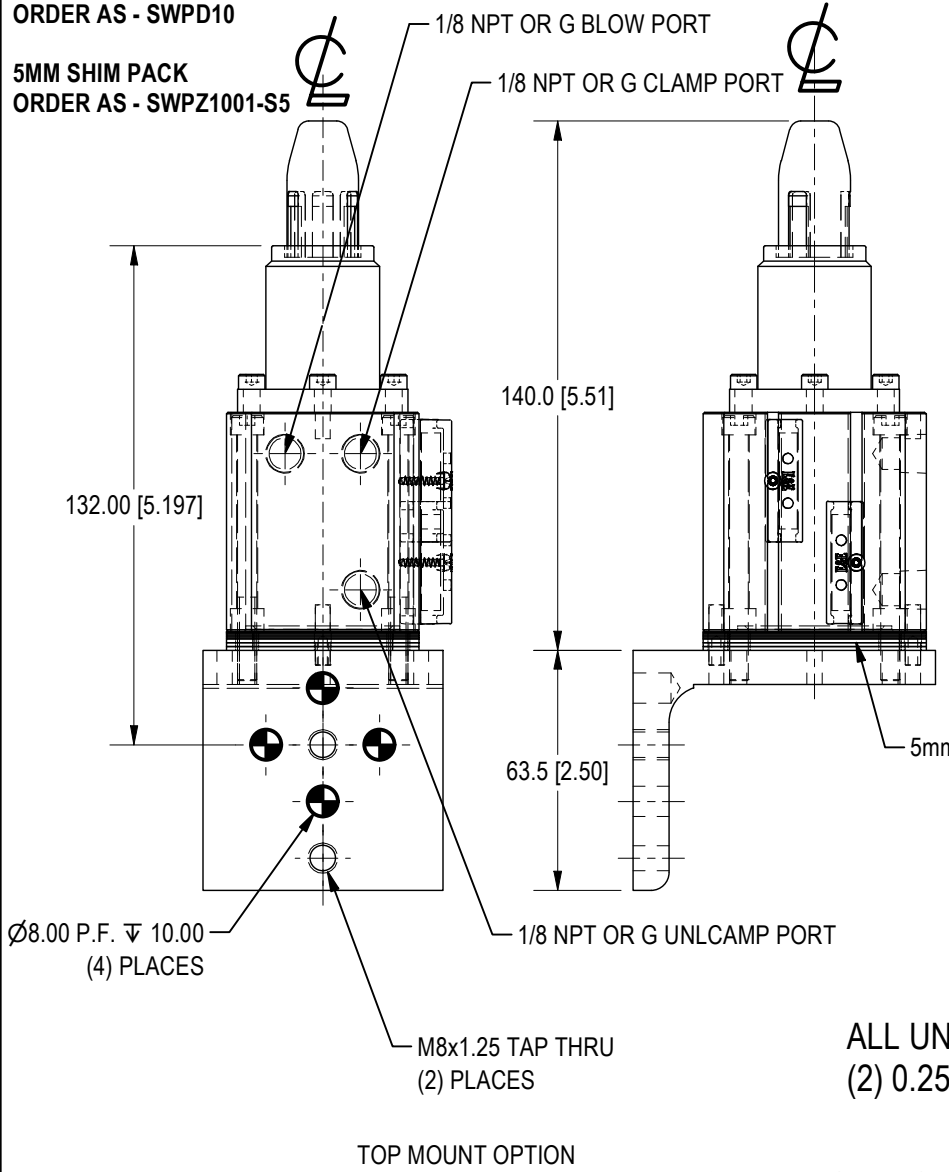
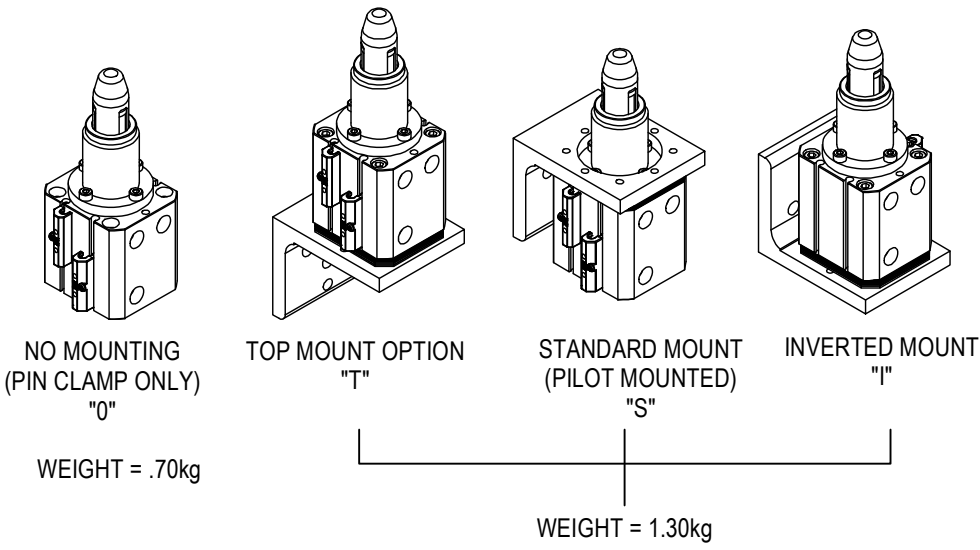
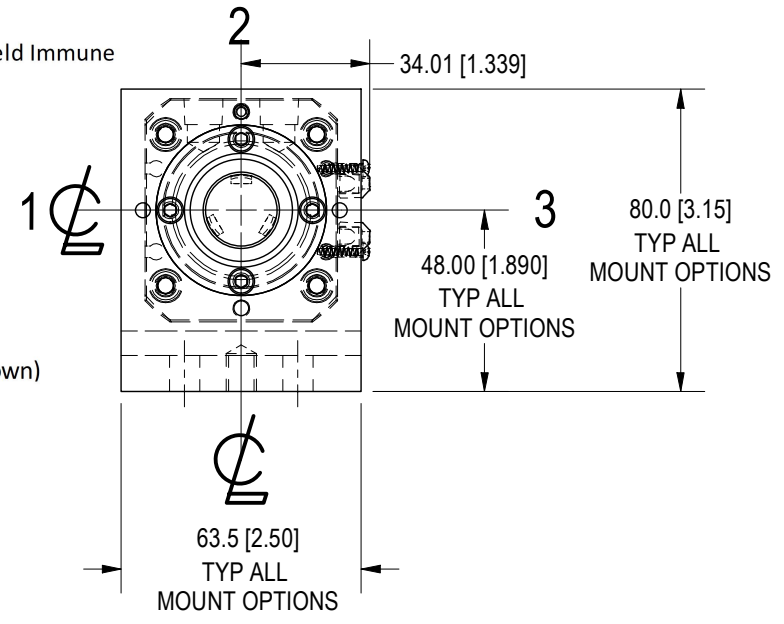
**INDIVIDUAL MOUNTING BRACKET**  
 ORDER AS - SWPD10

**5MM SHIM PACK**  
 ORDER AS - SWPZ1001-S5

**Switch**  
 S Sick (Standard) Weld Immune

**Port**  
 N NPT Ports

**Port Position**  
 1 Port Position  
 2 Port Position (Shown)  
 3 Port Position



ALL UNITS COME STANDARD WITH A 5mm SHIM PACK CONSISTING OF:  
 (2) 0.25mm (3) 0.50mm (3) 1.00mm

SEE FOLLOWING SHEETS FOR ADDITIONAL INFORMATION

SYM	CHANGES	DATE	BY

<p>7200 MILLER DR.                  WARREN, MI 48092                  EE-CP.COM</p>	NOTICE: THIS DRAWING IS PROPERTY OF E&E CUSTOM PRODUCTS INCLUDING THE PRINCIPLES OF THE DESIGN INVOLVED, AND IS SUBMITTED WITH AGREEMENT THAT IT IS NOT TO BE REPRODUCED, COPIED, OR LOANED, IN PART OR WHOLE, ACCEPTANCE OF THIS DRAWING WILL BE CONSTRUED AS AN AGREEMENT TO THE ABOVE		
	TITLE 1001 SERIES PIN CLAMP		
	PART NO.		
	DRAWN BY: EE	CHK'D BY: EC	APPR'D BY: MH
	DATE: 3/27/2023	DATE: 3/27/2023	DATE: 3/27/2023
SCALE: 1/2	DWG. NO. SWP1001-TEMPLATE GESTAMP		
SHT 1 OF 1	SHT 1 OF 1		