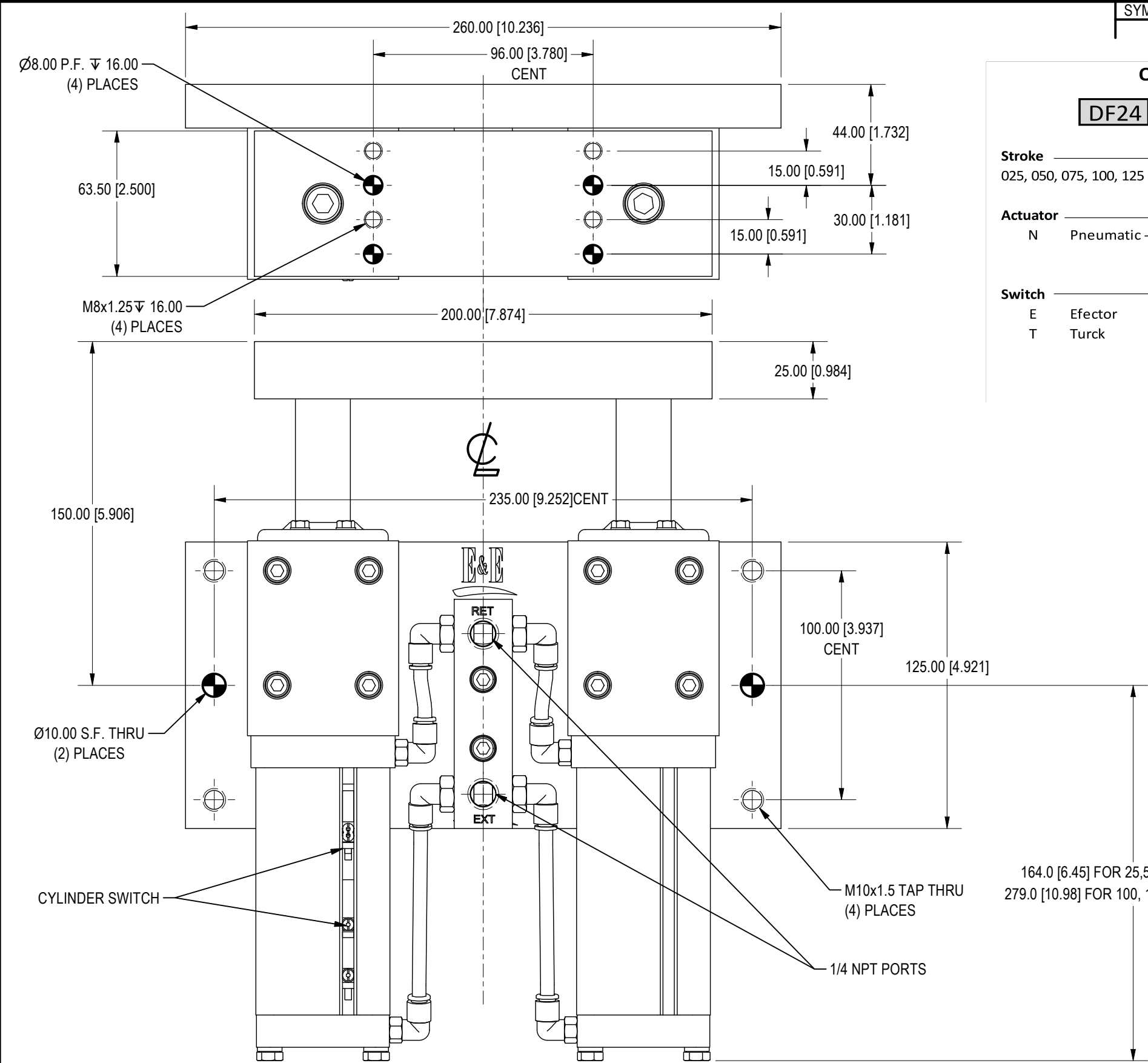


SYM	CHANGES	DATE	BY
-----	---------	------	----



### ORDERING INFORMATION

**DF24** - [ ] [ ] [ ] **N** [ ] [ ] **O** **C** [ ] **O**

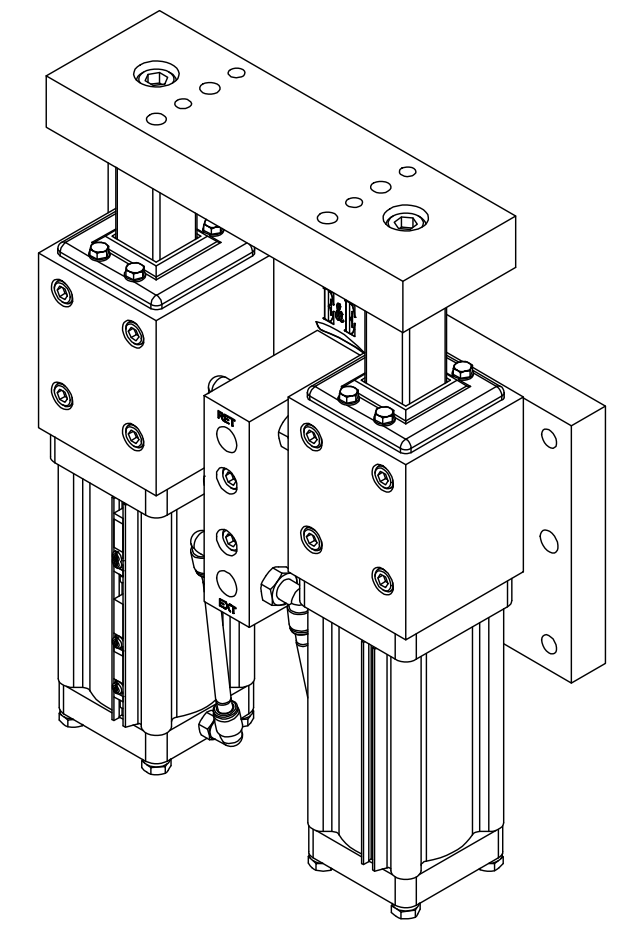
**Stroke**  
025, 050, 075, 100, 125 & 150mm

**Actuator**  
N Pneumatic - NPT Ports

**Switch**  
E Efactor  
T Turck

**Switch Position**  
E S01 Ext Pos  
R S01 Ret Pos

**Switch Type**  
C Cylinder Switch



OPERATING PRESSURE - MIN 60psi = 364lbf [165.1kgf] EXT FORCE - 338lbf [153.3kgf] RETRACT FORCE  
 MAX 120psi = 724lbf [328.3kgf] EXT FORCE - 677.0lbf [307.0kgf] RETRACT FORCE

WEIGHTS =  
 30.0lbs for 25mm, 50mm & 75mm Strokes  
 34.0lbs for 100mm, 125mm & 150mm Strokes

<p>7200 MILLER DR. WARREN, MI 48092 EE-CP.COM</p>	NOTICE: THIS DRAWING IS PROPERTY OF E&E CUSTOM PRODUCTS INCLUDING THE PRINCIPLES OF THE DESIGN INVOLVED, AND IS SUBMITTED WITH AGREEMENT THAT IT IS NOT TO BE REPRODUCED, COPIED, OR LOANED, IN PART OR WHOLE, ACCEPTANCE OF THIS DRAWING WILL BE CONSTRUED AS AN AGREEMENT TO THE ABOVE		
	TITLE 24 SERIES DUAL FORCE SHOT PIN		
	PART NO.		
	DRAWN BY: EE	CHK'D BY: EC	APPR'D BY: MH
	DATE: 6/4/2022	DATE: 9/18/2023	DATE: 9/18/2023
SCALE: 1/2	DWG. NO. DF24-TEMPLATE-FLEXCAN		
SHT 1 OF 1			