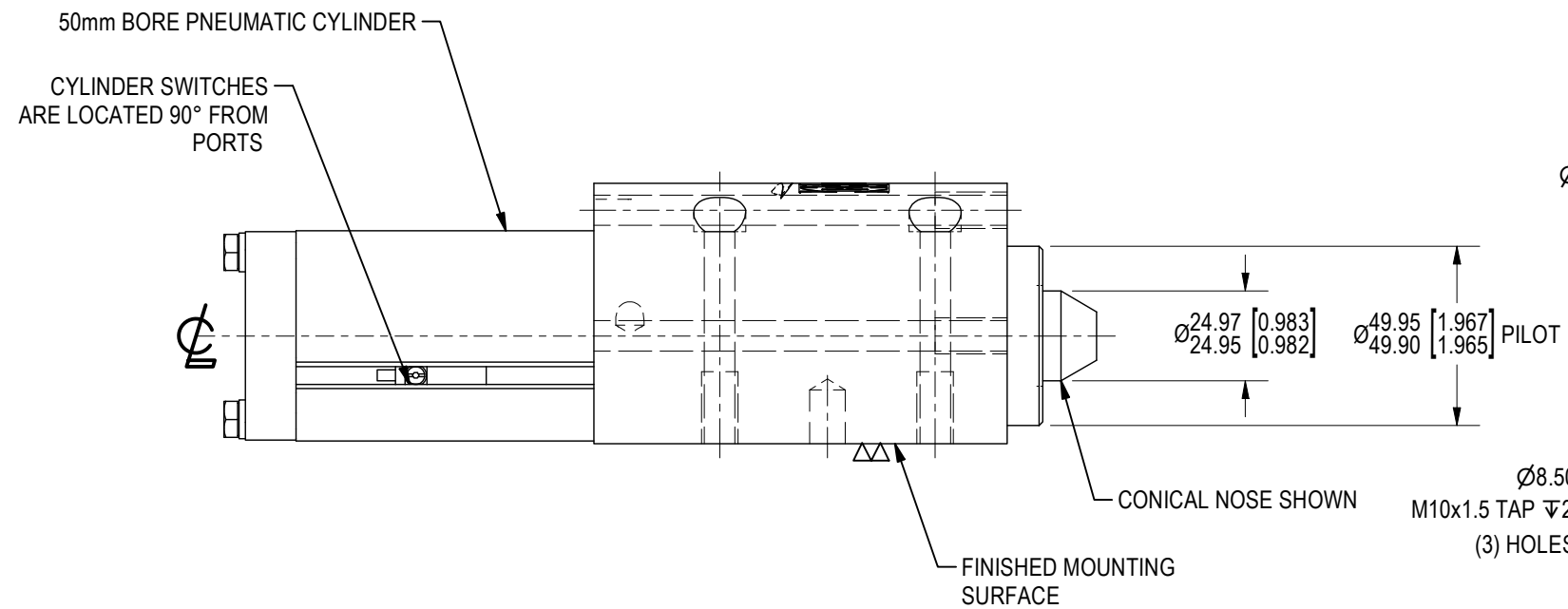
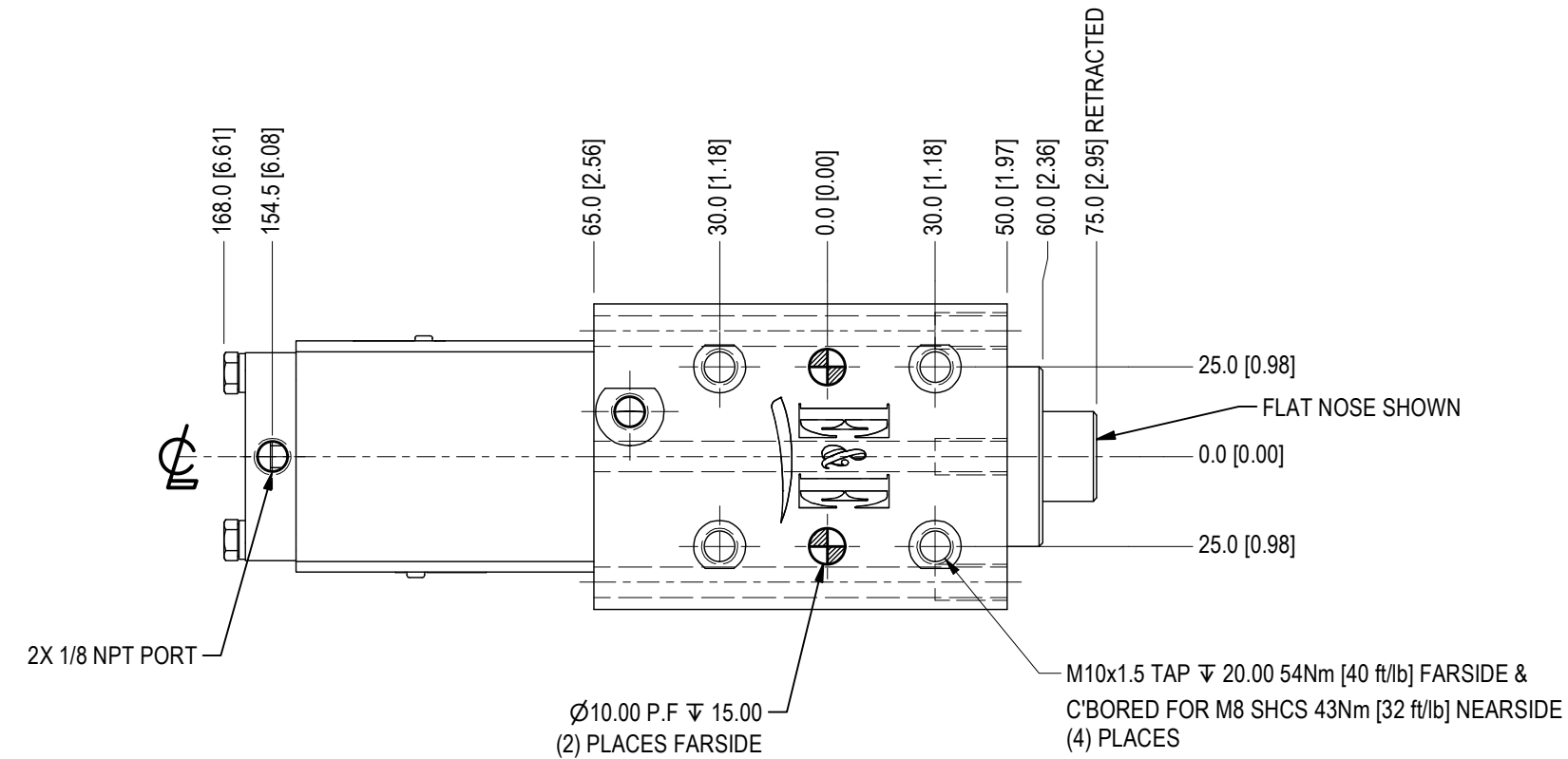


SYM	CHANGES	DATE	BY

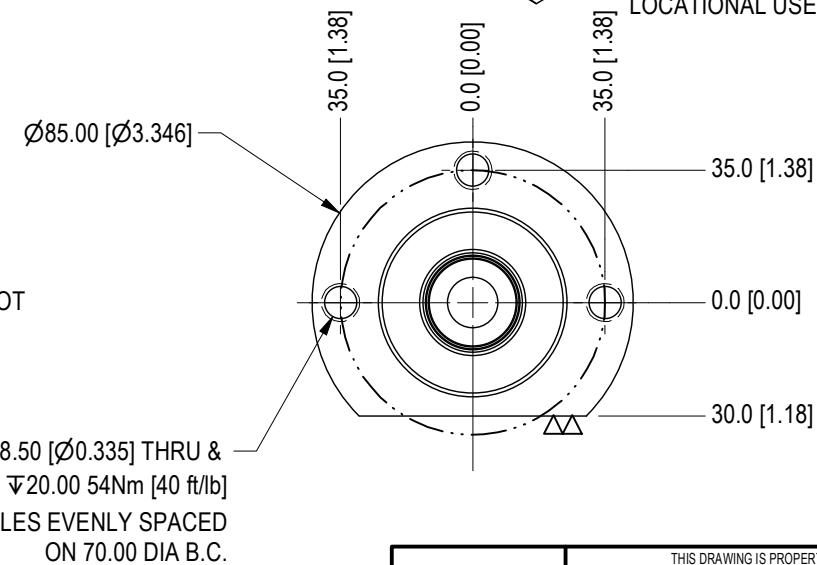
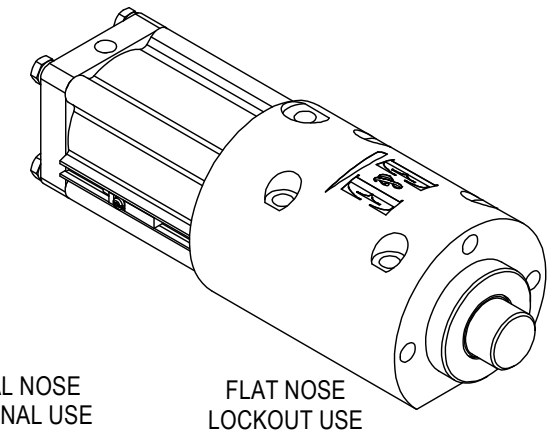
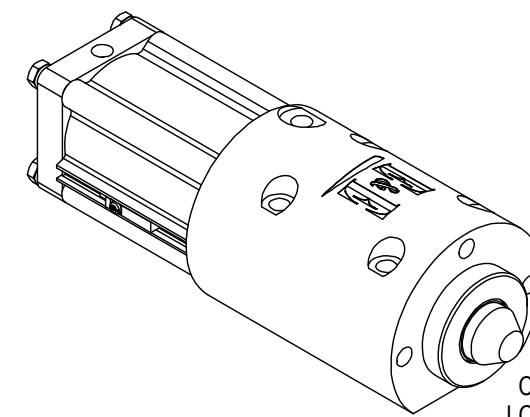


ORDERING INFORMATION

ALP25- [] [] [] N [] S S O O

- Stroke**
025 25mm Stroke
050 50mm Stroke
- Actuator**
N Pneumatic - NPT Ports
- Pin**
C Conical
F Flat
- Spring**
0 None (Use only if required)
S Spring
- Switch**
S Sick

NOTE: Switch is 90 degrees from port position, either side



25mm STROKE USES REMOVABLE CYLINDER STOP TUBE
OPERATING PRESSURE - MIN 60psi = 182lbf [82.5kgf] EXT FORCE - 137lbf [62.1kgf] RETRACT FORCE
MAX 120psi = 362lbf [164.2kgf] EXT FORCE - 274lbf [124.3kgf] RETRACT FORCE
SPRING FORCE EXTEND = 30lbf [13.6kg] 25mm STROKE - 20lbf [9.1kg] 50mm STROKE - 40lbf [18.1kg] RETURNED
LOCKOUT LOAD CAPACITY = 2,500lbs (1,133kg)

WEIGHT = 6.25lbs (2.8kg)

<p>7200 MILLER DR. WARREN, MI 48092 EE-CP.COM</p>	<p>NOTICE: THIS DRAWING IS PROPERTY OF E&E CUSTOM PRODUCTS INCLUDING THE PRINCIPLES OF THE DESIGN INVOLVED, AND IS SUBMITTED WITH AGREEMENT THAT IT IS NOT TO BE REPRODUCED, COPIED, OR LOANED, IN PART OR WHOLE, ACCEPTANCE OF THIS DRAWING WILL BE CONSTRUED AS AN AGREEMENT TO THE ABOVE</p>		
	<p>TITLE 25mm PNEUMATIC LOCKOUT</p>		
	<p>PART NO.</p>		
	<p>DRAWN BY:</p>	<p>CHK'D BY: EC</p>	<p>APPR'D BY: TT</p>
	<p>DATE: 3/8/2022</p>	<p>DATE: 10/19/2023</p>	<p>DATE: 10/19/2023</p>
<p>SCALE: 1/2</p>	<p>DWG. NO. ALP25_TEMPLATE- STELLANTIS</p>		
<p>SHT 1 OF 1</p>			