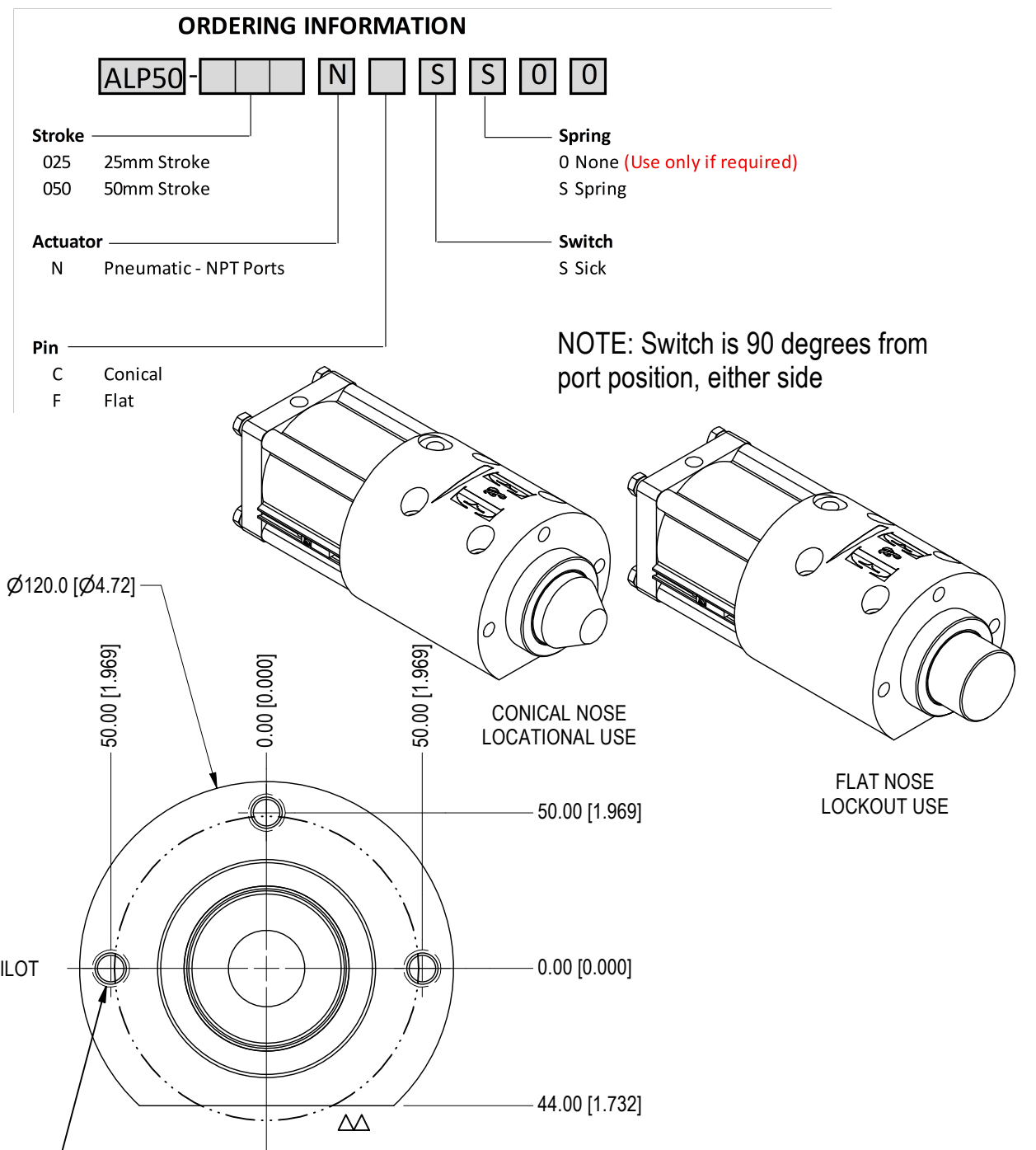
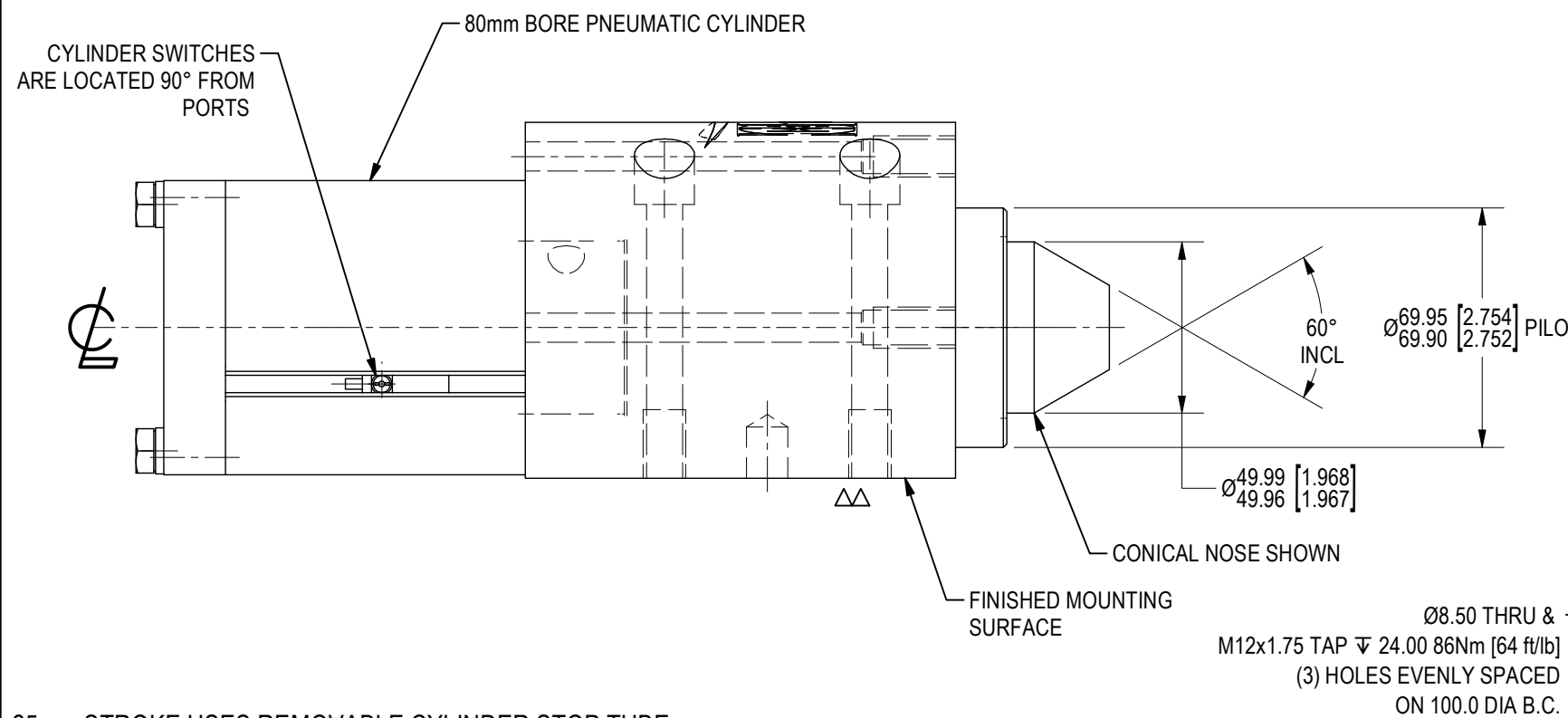
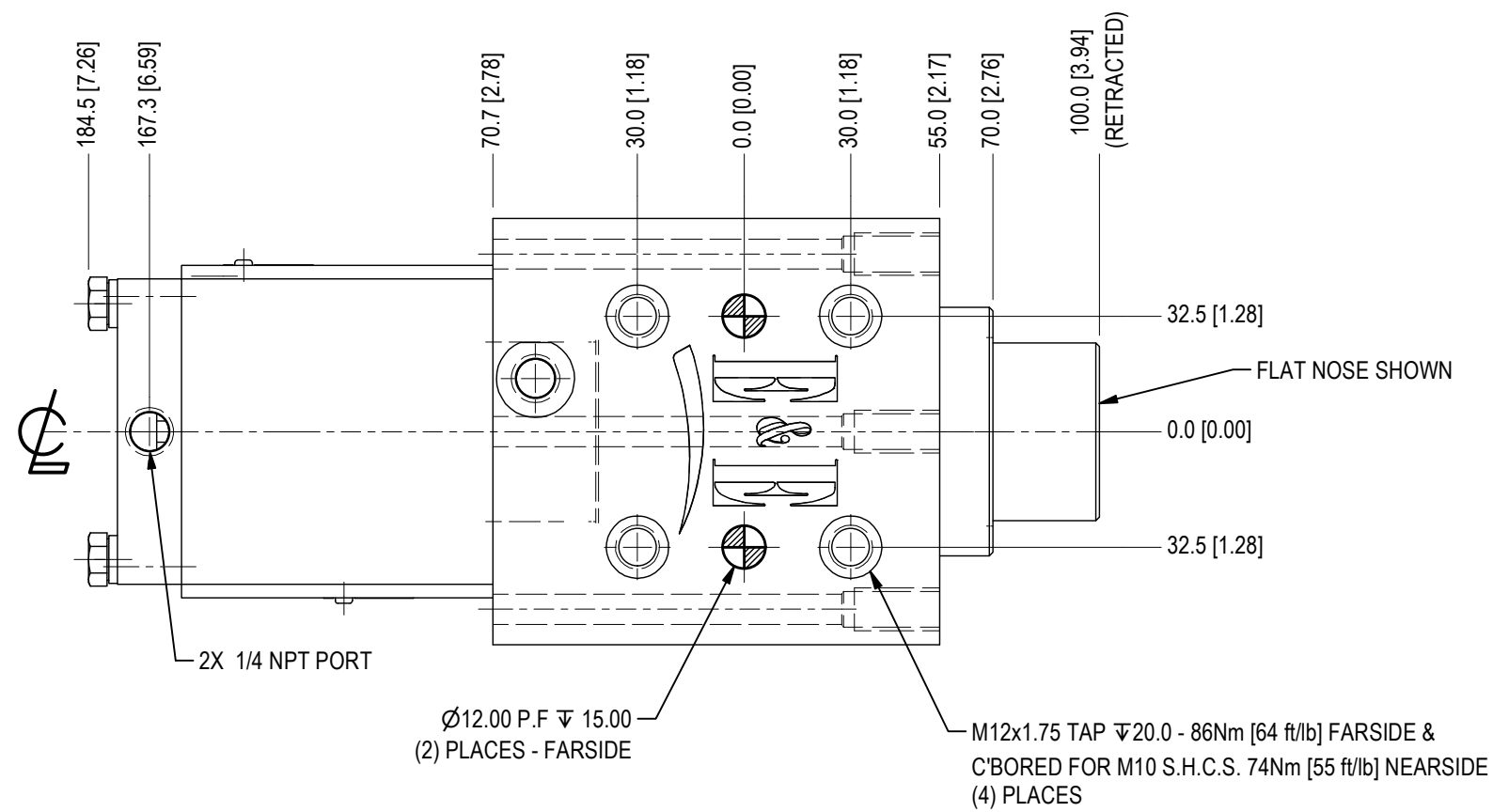


SYM	CHANGES	DATE	BY
-----	---------	------	----



25mm STROKE USES REMOVABLE CYLINDER STOP TUBE  
 OPERATING PRESSURE - MIN 60psi = 467.3lbf [211.9kgf] EXT FORCE - 284.4lbf [129kgf] RETRACT FORCE  
 MAX 120psi = 934.5lbf [423.8kgf] EXT FORCE - 568.8lbf [258kgf] RETRACT FORCE  
 SPRING FORCE EXTEND = 100lbf [45.4kg] 25mm STROKE - 80lbf [36.3kg] 50mm STROKE - 115lbf [52.2kg] RETURNED  
 LOCKOUT LOAD CAPACITY = 5,000lbs (2,267.6kg)  
 WEIGHT = 18lbs (8.2kg)

<p>7200 MILLER DR. WARREN, MI 48092 EE-CP.COM</p>	NOTICE: THIS DRAWING IS PROPERTY OF E&E CUSTOM PRODUCTS INCLUDING THE PRINCIPLES OF THE DESIGN INVOLVED, AND IS SUBMITTED WITH AGREEMENT THAT IT IS NOT TO BE REPRODUCED, COPIED, OR LOANED, IN PART OR WHOLE, ACCEPTANCE OF THIS DRAWING WILL BE CONSTRUED AS AN AGREEMENT TO THE ABOVE		
	TITLE 50mm PNEUMATIC LOCKOUT		
	PART NO.		
	DRAWN BY:	CHK'D BY: EC	APPR'D BY: TT
	DATE: 4/16/2019	DATE: 10/19/2023	DATE: 10/19/2023
SCALE: 1/4	DWG. NO. ALP50_TEMPLATE - STELLANTIS		
SHT 1 OF 1			