

**ORDERING INFORMATION**

ASP24- [ ] [ ] N D06 C09 S [ ] [ ] [ ] [ ] [ ] [ ] [ ] [ ]

**Stroke**  
100 & 125

**Actuator**  
N Pneumatic - NPT Ports

**Ram Dowels**  
D06 (Dowels are Nominal)

**Ram Holes**  
C09 Clearance holes

**Switch**  
S Sick (Standard) Weld Immune

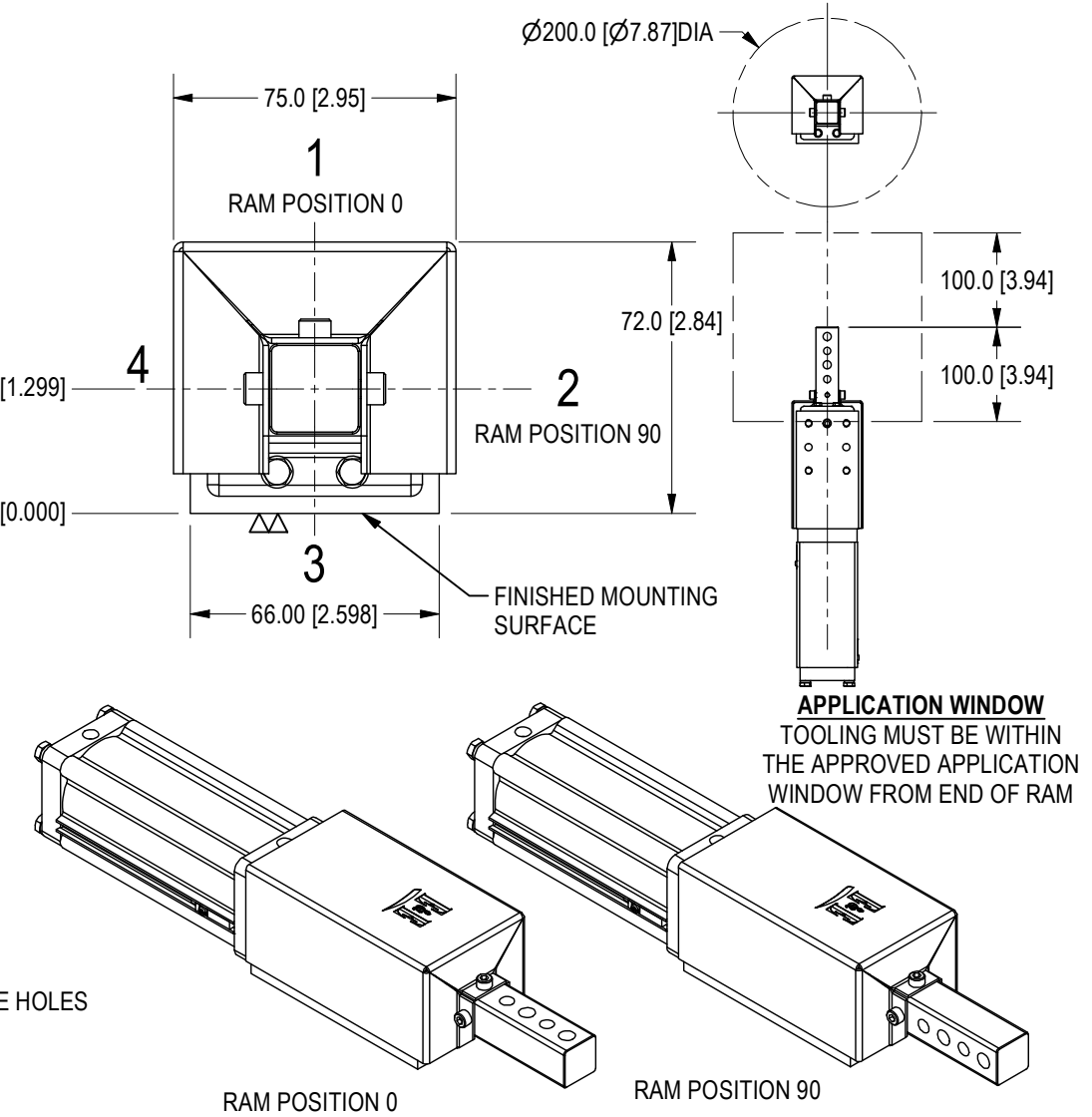
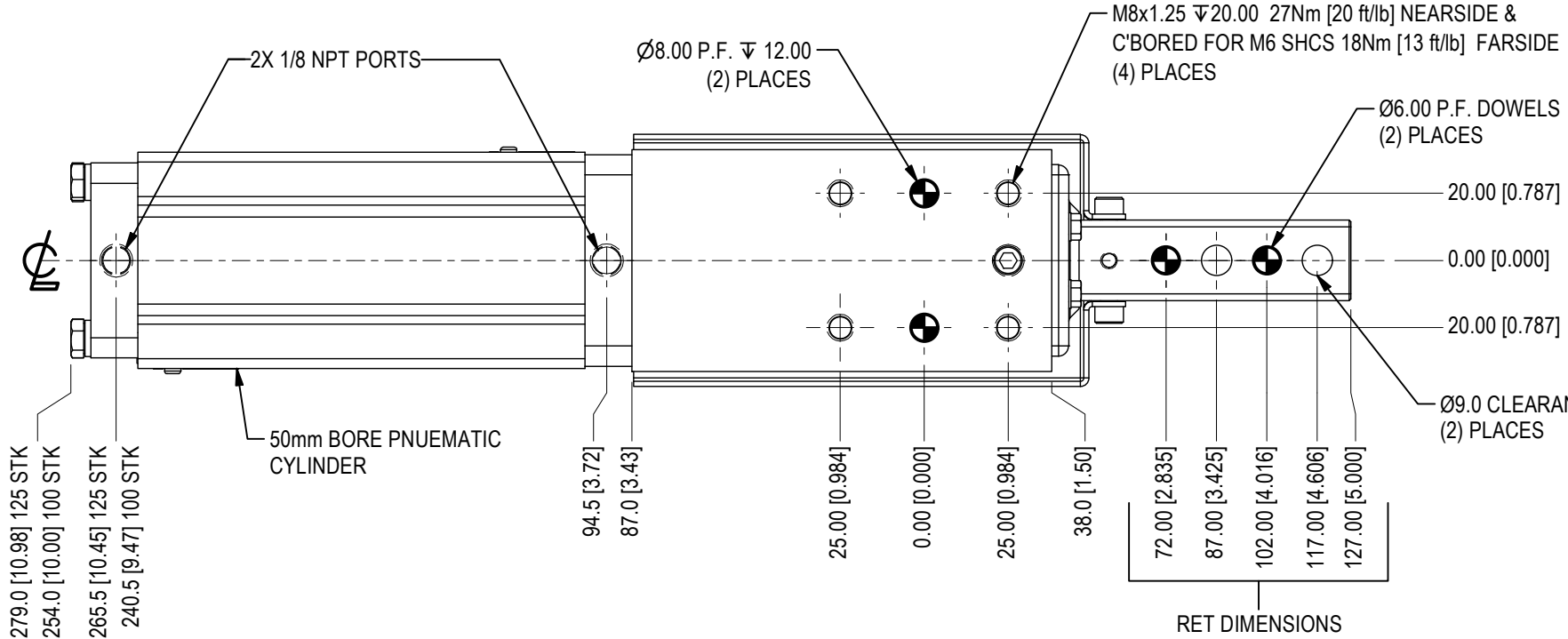
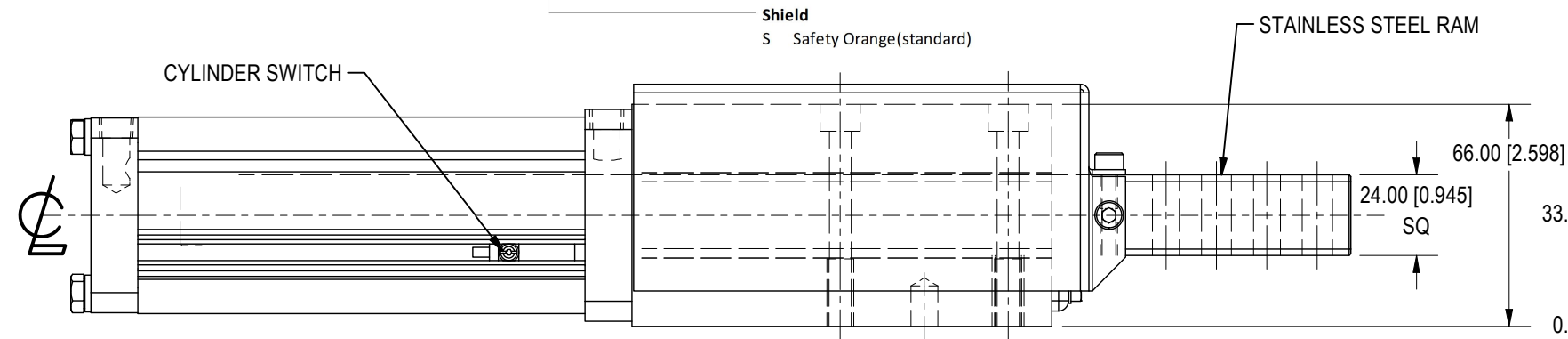
**Switch Position**  
E S01 Ext Pos  
R S01 Ret Pos (Use only if required)

**Ram Position**  
0 0 Degree (Shown)  
9 90 Degree

**Port Position**  
1 Port Position (Shown)  
2 Port Position  
3 Port Position  
4 Port Position

**Shield**  
S Safety Orange(standard)

SYM	CHANGES	DATE	BY
-----	---------	------	----



OPERATING PRESSURE - MIN 60psi = 182lbf [82.5kgf] EXT FORCE - 169lbf [76.6kgf] RETRACT FORCE  
 MAX 120psi = 362lbf [164.2kgf] EXT FORCE - 338.5lbf [153.5kgf] RETRACT FORCE  
 LOAD RATING - MAX TOOLING WT=22.5lbs [10kg], MAX GEO CONTACT OFFSET IS 100mm. MAX SIDE LOAD IS 55lbs [25kg]

WEIGHTS =  
 8.5lbs for 100mm Stroke  
 9.0lbs for 125mm Stroke

 7200 MILLER DR. WARREN, MI 48092 EE-CP.COM	NOTICE: THIS DRAWING IS PROPERTY OF E&E CUSTOM PRODUCTS INCLUDING THE PRINCIPLES OF THE DESIGN INVOLVED, AND IS SUBMITTED WITH AGREEMENT THAT IT IS NOT TO BE REPRODUCED, COPIED, OR LOANED, IN PART OR WHOLE, ACCEPTANCE OF THIS DRAWING WILL BE CONSTRUED AS AN AGREEMENT TO THE ABOVE		
	TITLE 24 SERIES LONG STROKE SHOT PIN		
	PART NO.		
	DRAWN BY:	CHK'D BY: EC	APPR'D BY: TT
	DATE:	DATE: 10/18/2023	DATE: 10/18/2023
SCALE: 1/2	DWG. NO.		
SHT 1 OF 1	ASP24-Long Stroke Template - Stellantis		