

ORDERING INFORMATION

ASP24- [] [] N D 0 8 [] [] S S [] [] 0 [] [] 0

Stroke
025, 050 & 075mm

Actuator
N Pneumatic - NPT Ports

Ram Dowels
D08 (Dowels are Nominal)

Ram Holes
C11 Clearance holes
M10 Tapped Holes

Switch
S Sick (Standard) Weld Immune

Switch Position
E S01 Ext Pos
R S01 Ret Pos

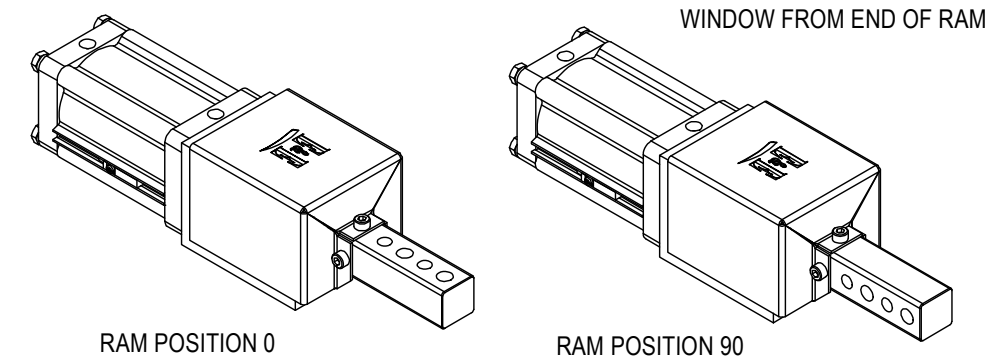
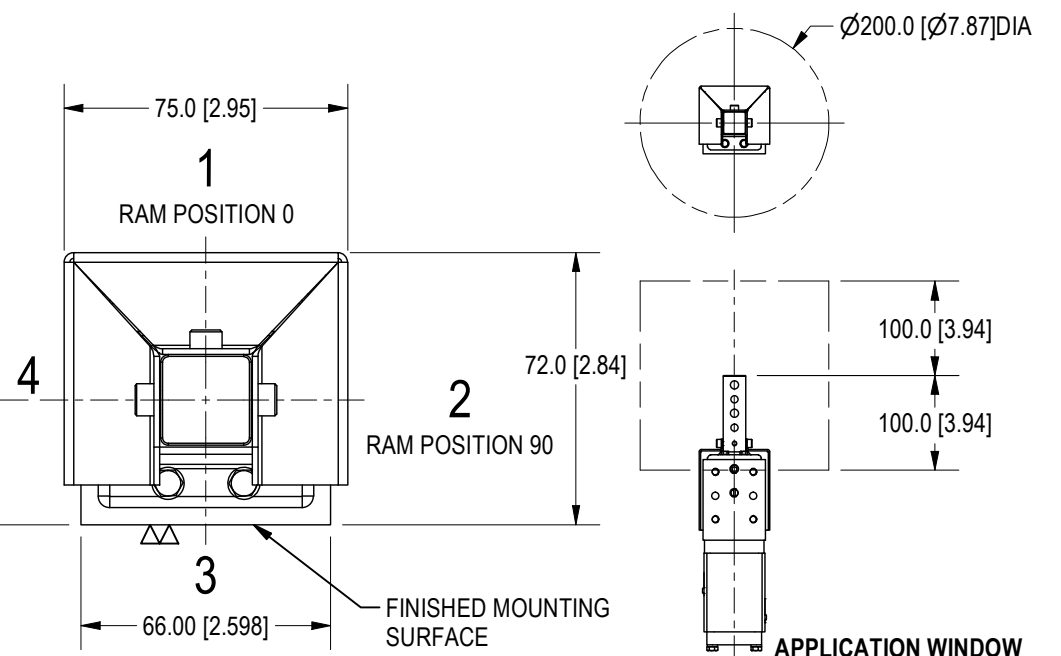
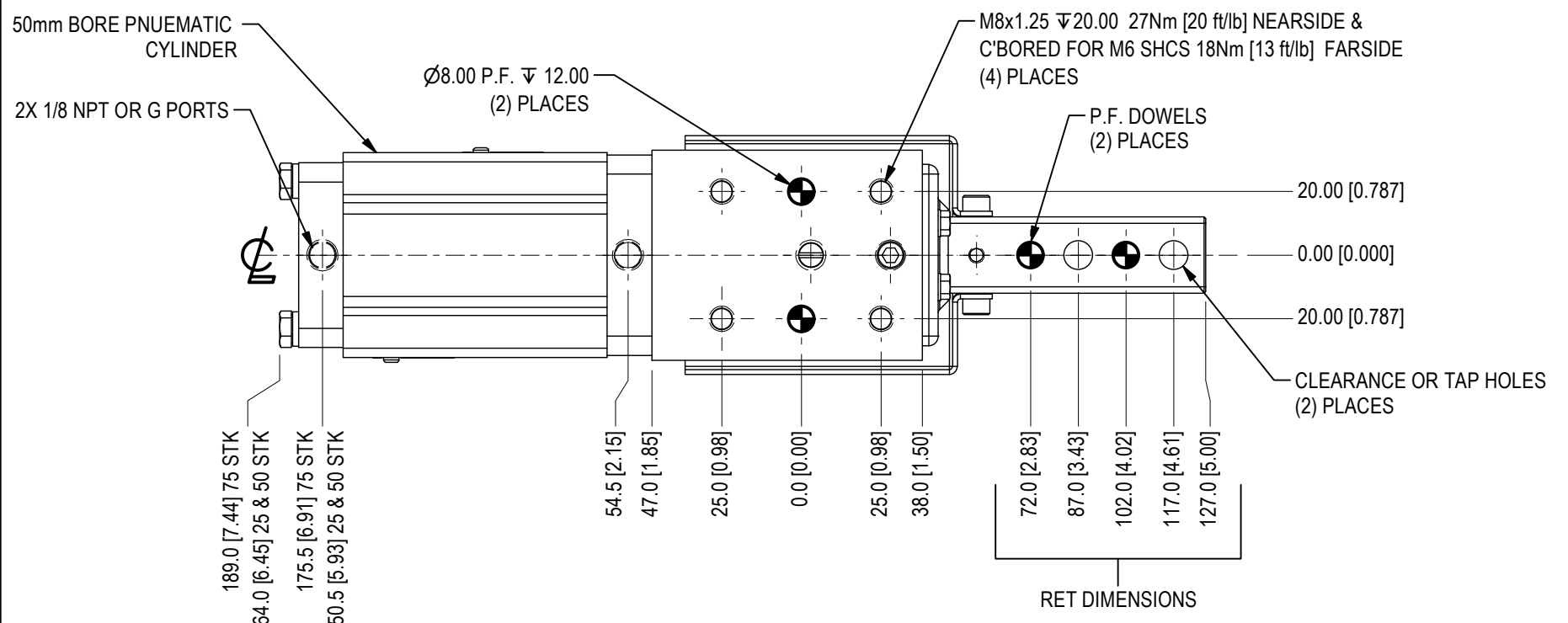
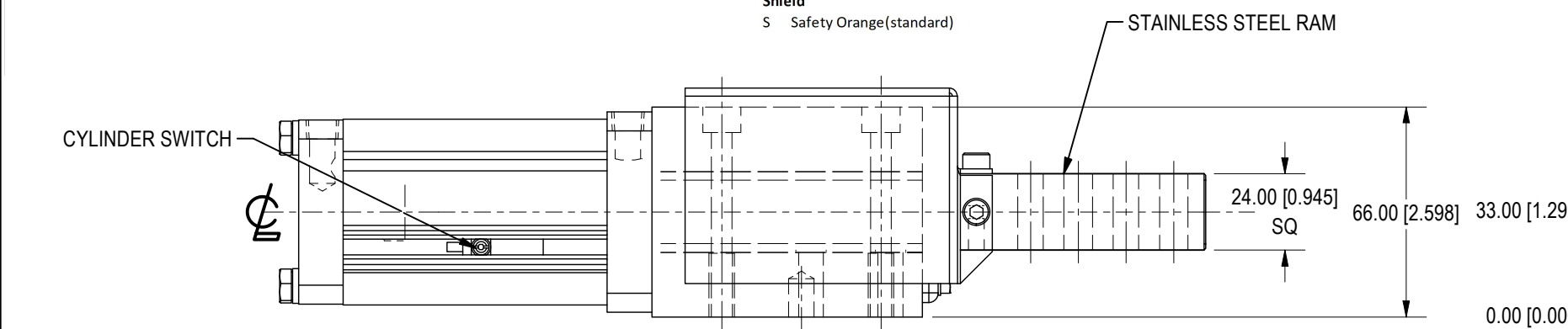
Ram Position
0 0 Degree (Shown)
9 90 Degree

Port Position
1 Port Position (Shown)
2 Port Position
3 Pi Port Position
4 Port Position

Shield
S Safety Orange(standard)

NOTE: Detent option is intended to hold ram in extended position due to loss of air pressure. Detent is not designed to hold GEO location. Tooling weight is not to exceed 12lbs [5kg] vertical. Available for 25-50mm strokes. Body length and cylinder length will increase for 75mm Detent option. Please refer to sheet #2 for 75mm stroke detent dimension.

SYM	CHANGES	DATE	BY
-----	---------	------	----



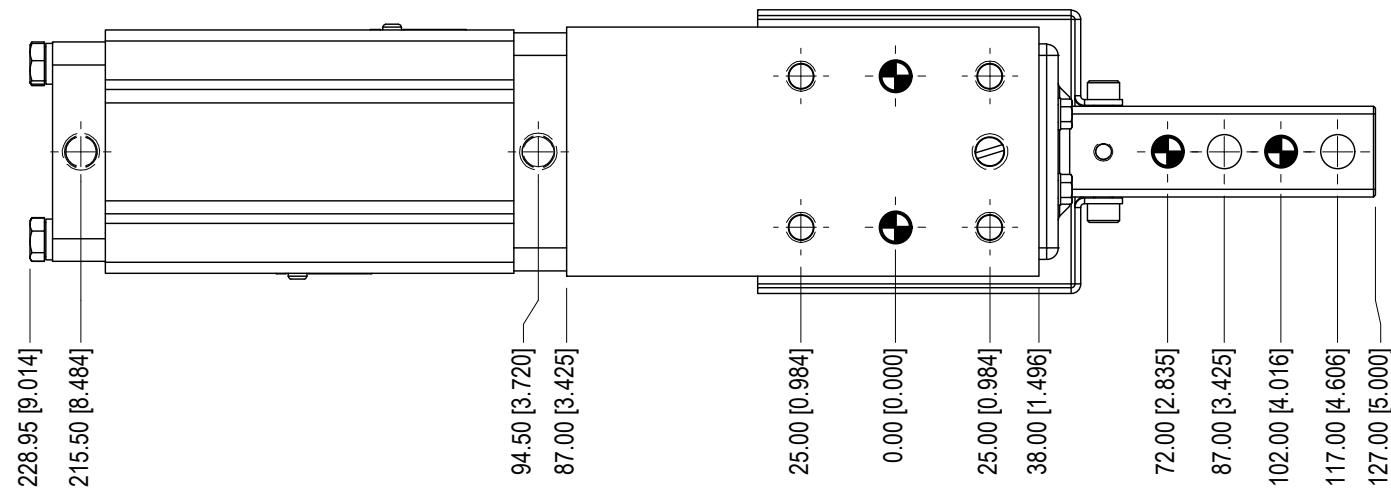
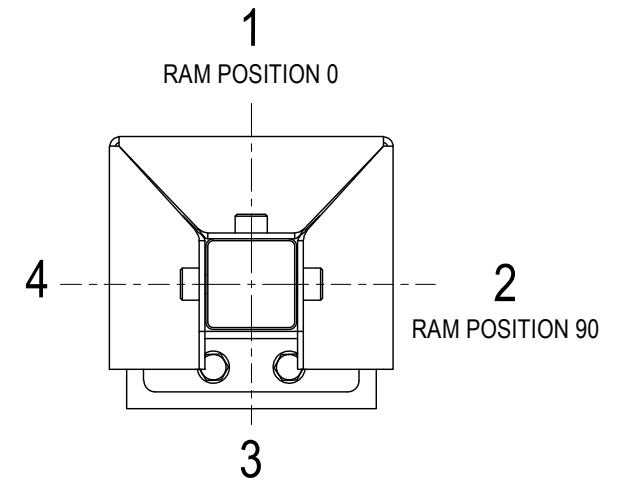
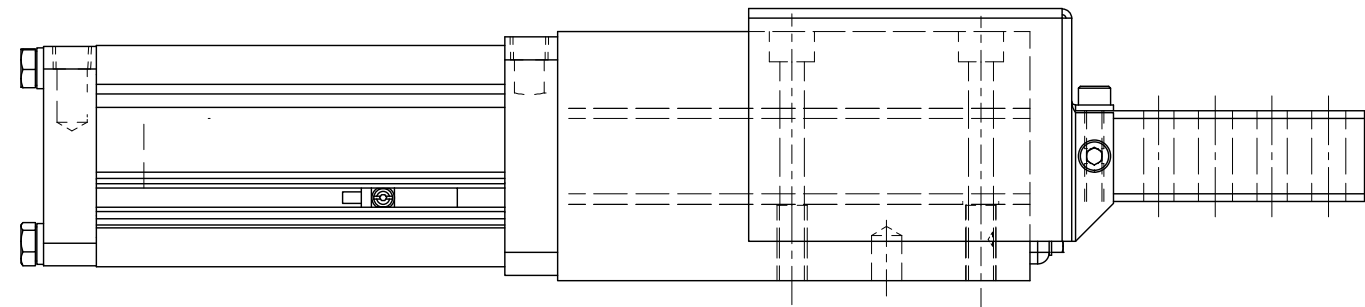
APPLICATION WINDOW
TOOLING MUST BE WITHIN THE APPROVED APPLICATION WINDOW FROM END OF RAM

25mm STROKE USES REMOVABLE CYLINDER STOP TUBE
 OPERATING PRESSURE - MIN 60psi = 182lbf [82.5kgf] EXT FORCE - 169lbf [76.6kgf] RETRACT FORCE
 MAX 120psi = 362lbf [164.2kgf] EXT FORCE - 338.5lbf [153.5kgf] RETRACT FORCE
 LOAD RATING - MAX TOOLING WT=22.5lbs [10kg], MAX GEO CONTACT OFFSET IS 100mm. MAX SIDE LOAD IS 55lbs [25kg]

WEIGHTS =
 6.5lbs for 25mm & 50mm Strokes
 7.2lbs for 75mm Stroke
 8.0lbs for 75mm Stroke - Detent Option

<p>E & E CUSTOM PRODUCTS</p> <p>7200 MILLER DR. WARREN, MI 48092 EE-CP.COM</p>	NOTICE: THIS DRAWING IS PROPERTY OF E&E CUSTOM PRODUCTS INCLUDING THE PRINCIPLES OF THE DESIGN INVOLVED, AND IS SUBMITTED WITH AGREEMENT THAT IT IS NOT TO BE REPRODUCED, COPIED, OR LOANED, IN PART OR WHOLE, ACCEPTANCE OF THIS DRAWING WILL BE CONSTRUED AS AN AGREEMENT TO THE ABOVE		
	TITLE 24 SERIES SHOT PIN		
	PART NO.		
	DRAWN BY: EE	CHK'D BY: EC	APPR'D BY: MH
	DATE: 4/20/2023	DATE: 10/18/2023	DATE: 10/18/2023
SCALE: 1/2	DWG. NO. ASP24-Template-GESTAMP		
SHT 1 OF 2			

SYM	CHANGES	DATE	BY
-----	---------	------	----



THIS SHEET IS FOR 75mm STROKE DETENT OPTION ONLY

	<small>NOTICE: THIS DRAWING IS PROPERTY OF E&E CUSTOM PRODUCTS INCLUDING THE PRINCIPLES OF THE DESIGN INVOLVED, AND IS SUBMITTED WITH AGREEMENT THAT IT IS NOT TO BE REPRODUCED, COPIED, OR LOANED, IN PART OR WHOLE, ACCEPTANCE OF THIS DRAWING WILL BE CONSTRUED AS AN AGREEMENT TO THE ABOVE</small>		
	TITLE 24 SERIES SHOT PIN		
	PART NO.		
	DRAWN BY: EE DATE: 4/20/2023	CHK'D BY: EC DATE: 10/18/2023	APPR'D BY: MH DATE: 10/18/2023
7200 MILLER DR. WARREN, MI 48092 EE-CP.COM	SCALE: 1/2 SHT 2 OF 2	DWG. NO. ASP24-Template-GESTAMP	

ORDERING INFORMATION

ASP24- [] [] [] [] N D 0 8 [] [] [] S S [] [] 0 [] [] [] 0

Stroke
100 & 125

Actuator
N Pneumatic - NPT Ports

Ram Dowels
D08 (Dowels are Nominal)

Ram Holes
C11 Clearance holes
M10 Tapped Holes

Switch
S Sick (Standard) Weld Immune

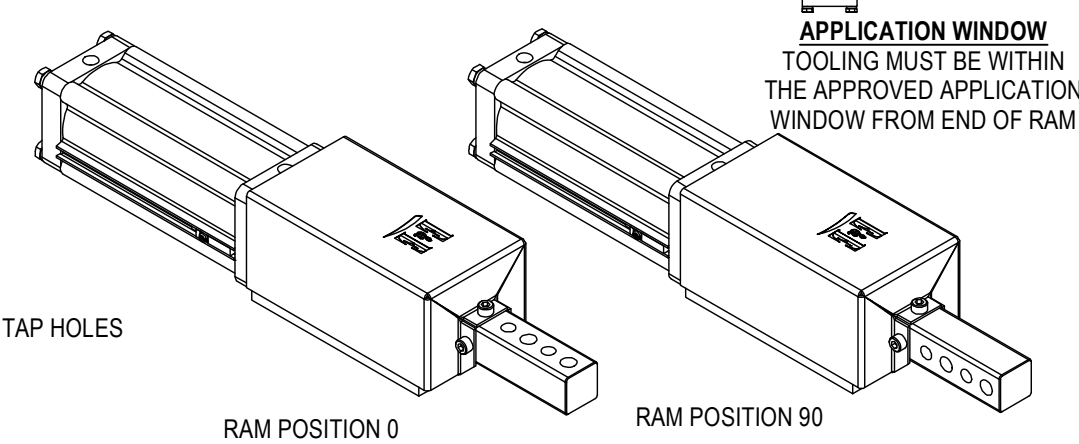
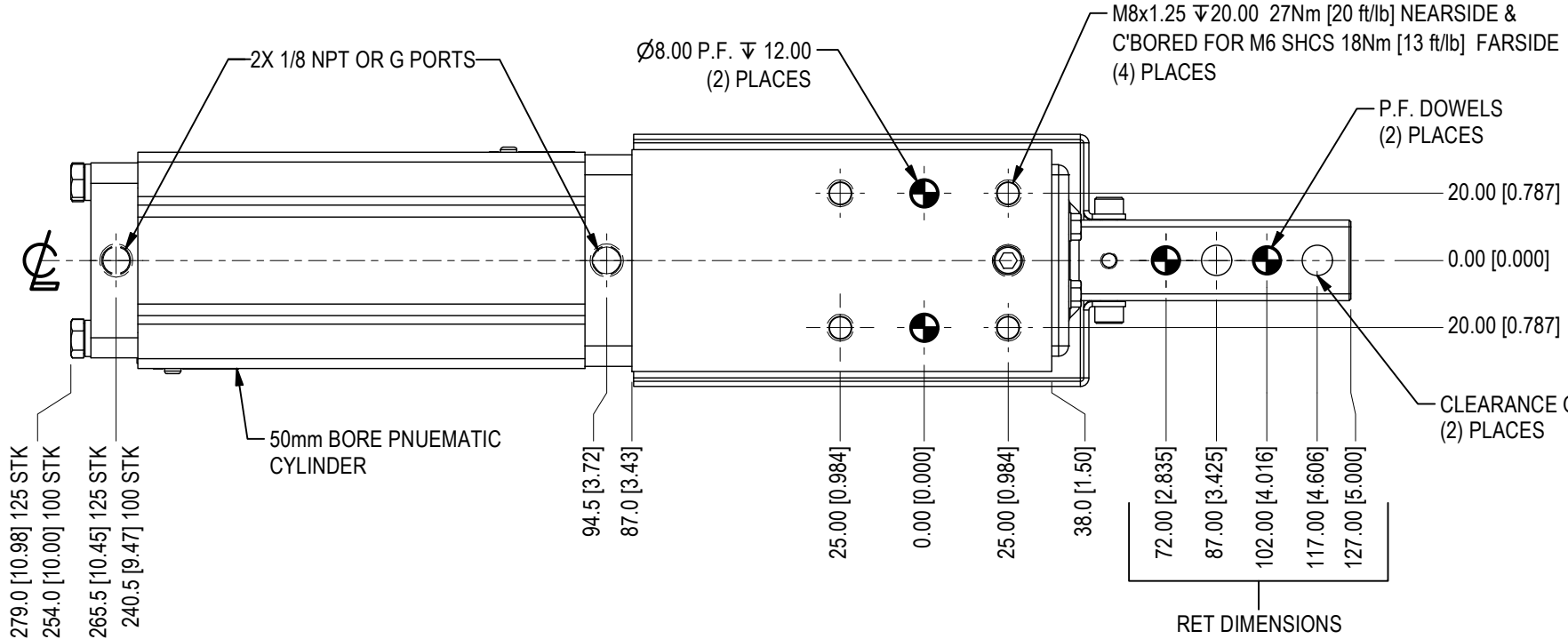
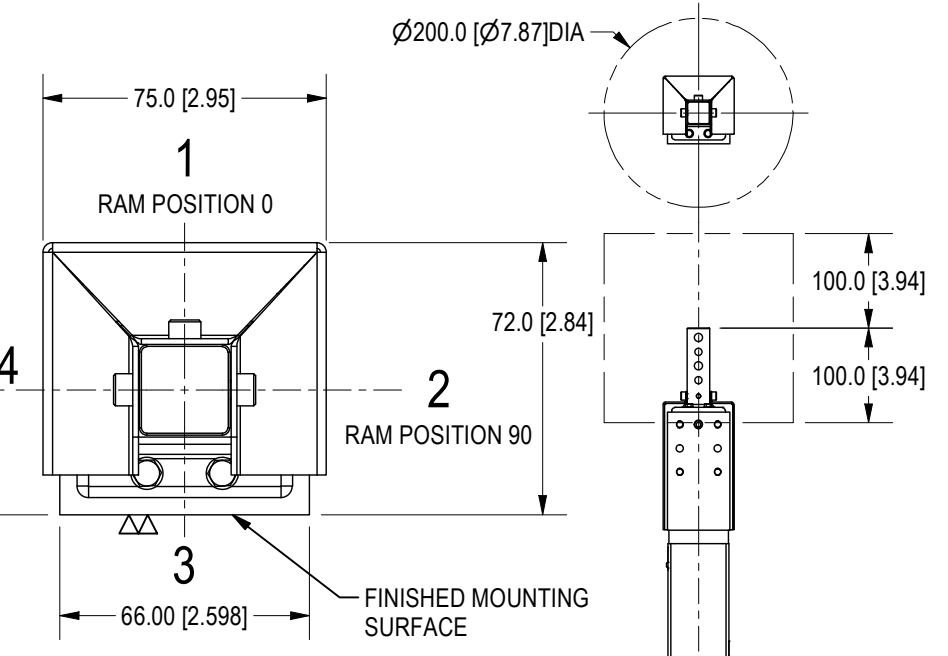
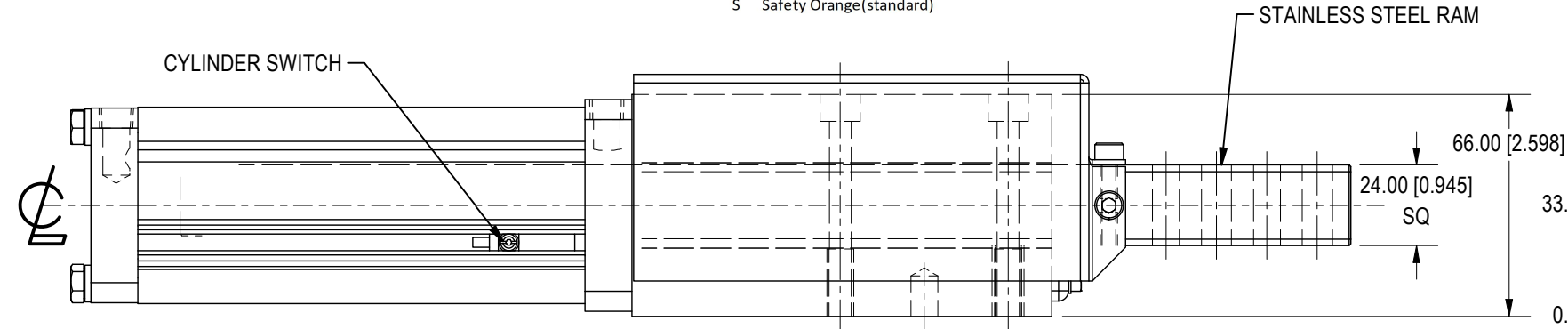
Switch Position
E S01 Ext Pos
R S01 Ret Pos

Ram Position
0 0 Degree (Shown)
9 90 Degree

Port Position
1 Port Position (Shown)
2 Port Position
3 Pi Port Position
4 Port Position

Shield
S Safety Orange (standard)

SYM	CHANGES	DATE	BY
-----	---------	------	----



OPERATING PRESSURE - MIN 60psi = 182lbf [82.5kgf] EXT FORCE - 169lbf [76.6kgf] RETRACT FORCE
 MAX 120psi = 362lbf [164.2kgf] EXT FORCE - 338.5lbf [153.5kgf] RETRACT FORCE
 LOAD RATING - MAX TOOLING WT=22.5lbs [10kg], MAX GEO CONTACT OFFSET IS 100mm. MAX SIDE LOAD IS 55lbs [25kg]

WEIGHTS =
 8.5lbs for 100mm Stroke
 9.0lbs for 125mm Stroke

<p>E & E CUSTOM PRODUCTS</p> <p>7200 MILLER DR. WARREN, MI 48092 EE-CP.COM</p>	NOTICE: THIS DRAWING IS PROPERTY OF E&E CUSTOM PRODUCTS INCLUDING THE PRINCIPLES OF THE DESIGN INVOLVED, AND IS SUBMITTED WITH AGREEMENT THAT IT IS NOT TO BE REPRODUCED, COPIED, OR LOANED, IN PART OR WHOLE, ACCEPTANCE OF THIS DRAWING WILL BE CONSTRUED AS AN AGREEMENT TO THE ABOVE		
	TITLE 24 SERIES LONG STROKE SHOT PIN		
	PART NO.		
	DRAWN BY: EE DATE: 4/20/2023 SCALE: 1/2 SHT 1 OF 1	CHK'D BY: EC DATE: 10/18/2023 DWG. NO. ASP24-Long Stroke Template-GESTAMP	APPR'D BY: MH DATE: 10/18/2023