

ORDERING INFORMATION

ASP24- [] [] [] N D 0 8 C 0 9 E S [] O [] E O

Stroke
025, 050 & 075mm

Actuator
N Pneumatic - G Ports

Ram Dowels
D08

Ram Holes
C09 Clearance holes

Switch
E Efector Weld Immune

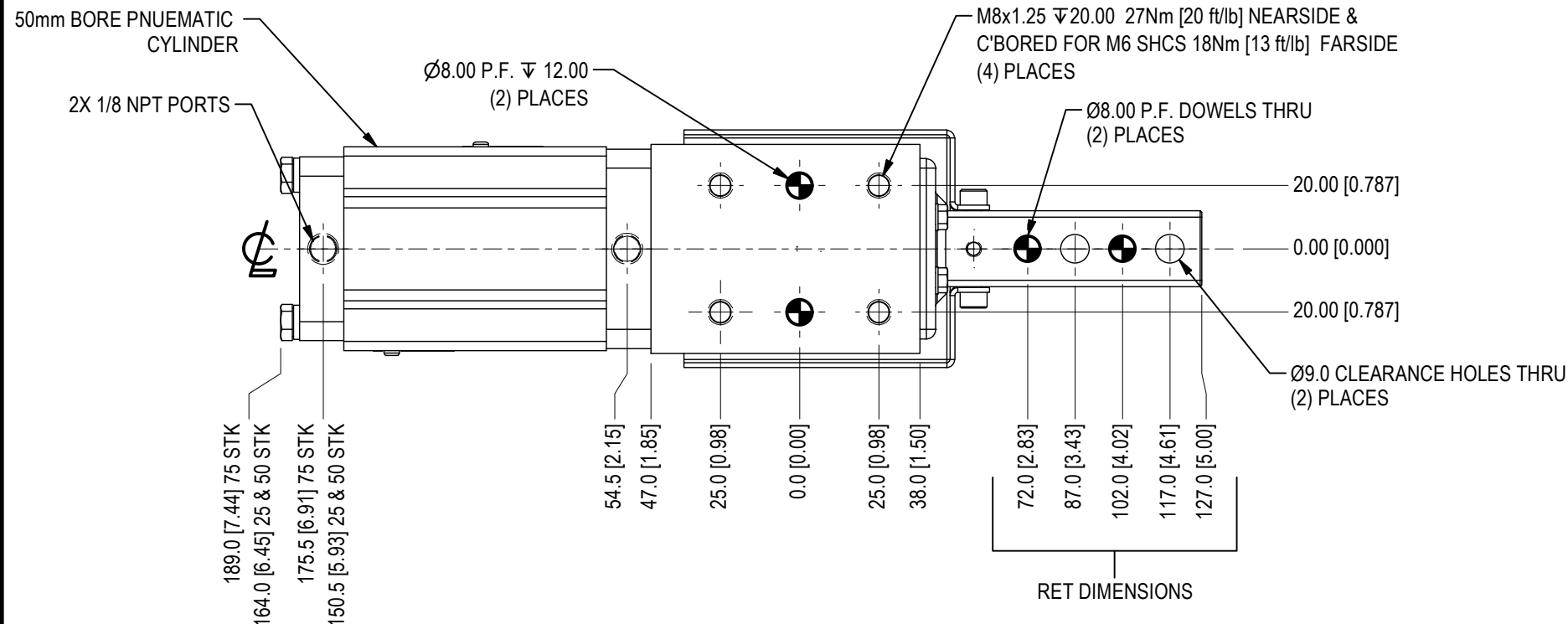
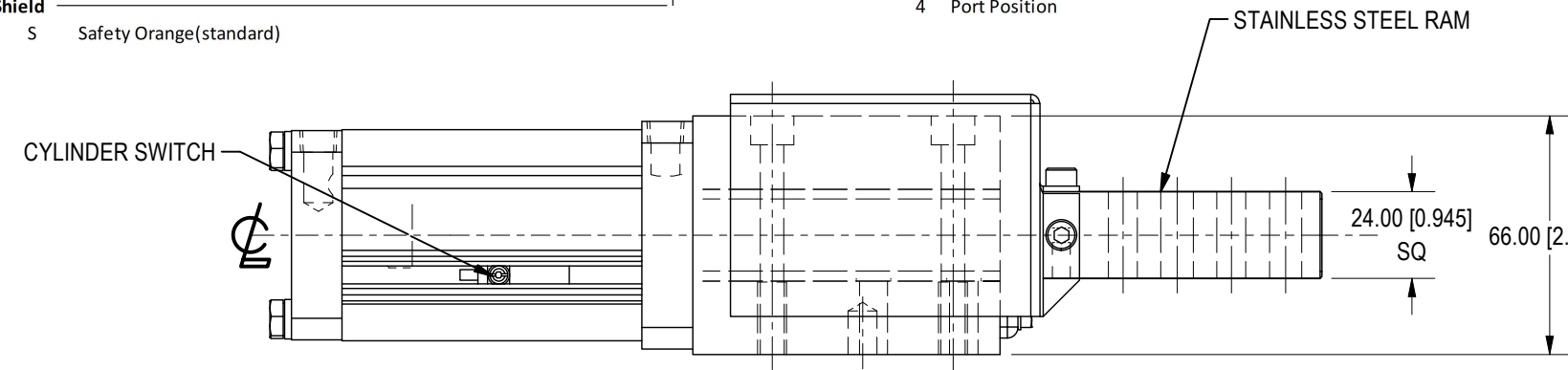
Shield
S Safety Orange(standard)

Switch Position
E S01 Ext Pos

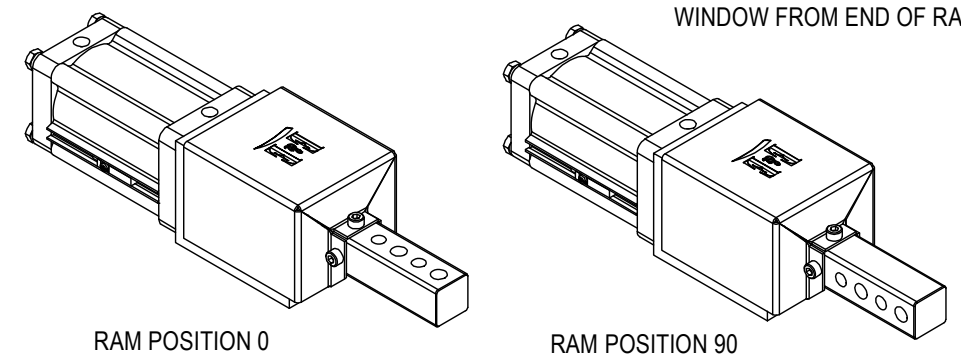
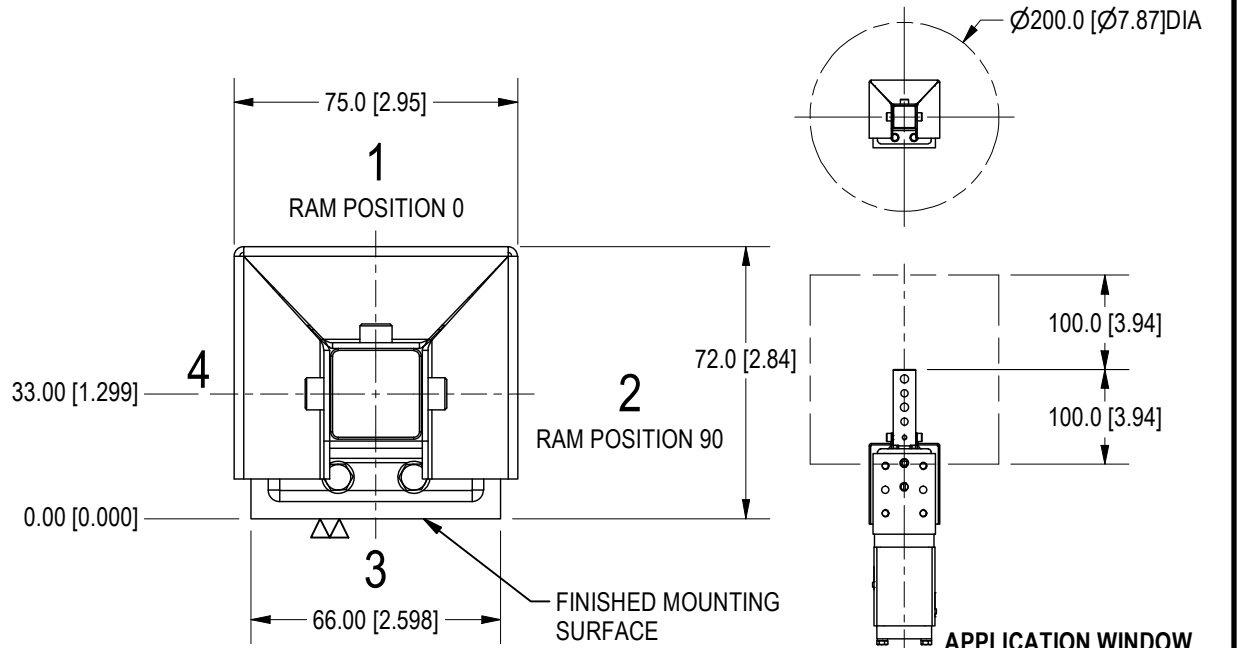
Ram Position
0 0 Degree (Shown)
9 90 Degree

Detent
0 None

Port Position
1 Port Position (Shown)
2 Port Position
3 Port Position
4 Port Position



SYM	CHANGES	DATE	BY
-----	---------	------	----



25mm STROKE USES REMOVABLE CYLINDER STOP TUBE
 OPERATING PRESSURE - MIN 60psi = 182lbf [82.5kgf] EXT FORCE - 169lbf [76.6kgf] RETRACT FORCE
 MAX 120psi = 362lbf [164.2kgf] EXT FORCE - 338.5lbf [153.5kgf] RETRACT FORCE
 LOAD RATING - MAX TOOLING WT=22.5lbs [10kg], MAX GEO CONTACT OFFSET IS 100mm. MAX SIDE LOAD IS 55lbs [25kg]

WEIGHTS =
 6.5lbs for 25mm & 50mm Strokes
 7.2lbs for 75mm Stroke

 7200 MILLER DR. WARREN, MI 48092 EE-CP.COM	NOTICE: THIS DRAWING IS PROPERTY OF E&E CUSTOM PRODUCTS INCLUDING THE PRINCIPLES OF THE DESIGN INVOLVED, AND IS SUBMITTED WITH AGREEMENT THAT IT IS NOT TO BE REPRODUCED, COPIED, OR LOANED, IN PART OR WHOLE, ACCEPTANCE OF THIS DRAWING WILL BE CONSTRUED AS AN AGREEMENT TO THE ABOVE		
	TITLE 24 SERIES SHOT PIN		
	PART NO.		
	DRAWN BY: EE	CHK'D BY: EC	APPR'D BY: MH
	DATE: 9/14/2022	DATE: 10/18/2023	DATE: 10/18/2023
SCALE: 1/2	DWG. NO. ASP24-Template - QMC		
SHT 1 OF 1			