

**ORDERING INFORMATION**

ASP24- [ ] [ ] [ ] N D06 C09 S S 1 0 [ ] [ ] 0

**Stroke**  
025, 050 & 075mm

**Actuator**  
N Pneumatic - NPT Ports

**Ram Dowels**  
D06 Dowels are Nominal

**Ram Holes**  
C09 Clearance holes

**Switch**  
S Sick (standard) Weld Immune

**Switch Position**  
E S01 Ext Pos  
R S01 Ret Pos (Use only if required)

**Ram Position**  
0 0 Degree (Shown)  
9 90 Degree

**Detent (See Note)**  
(See Sht 2 for 75mm stroke Dims)  
0 None

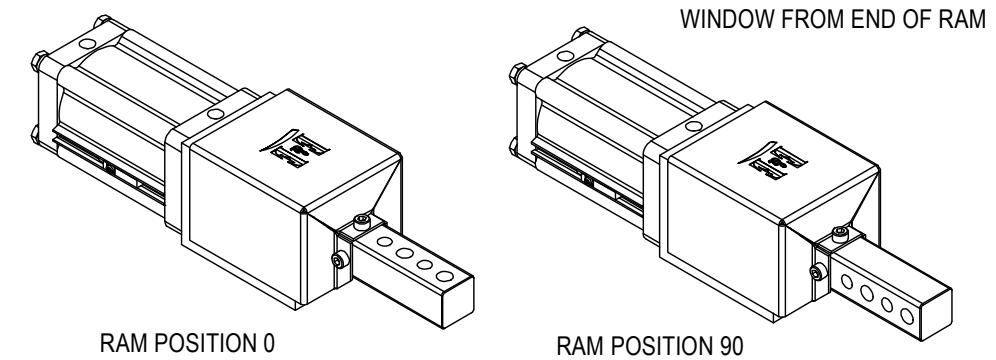
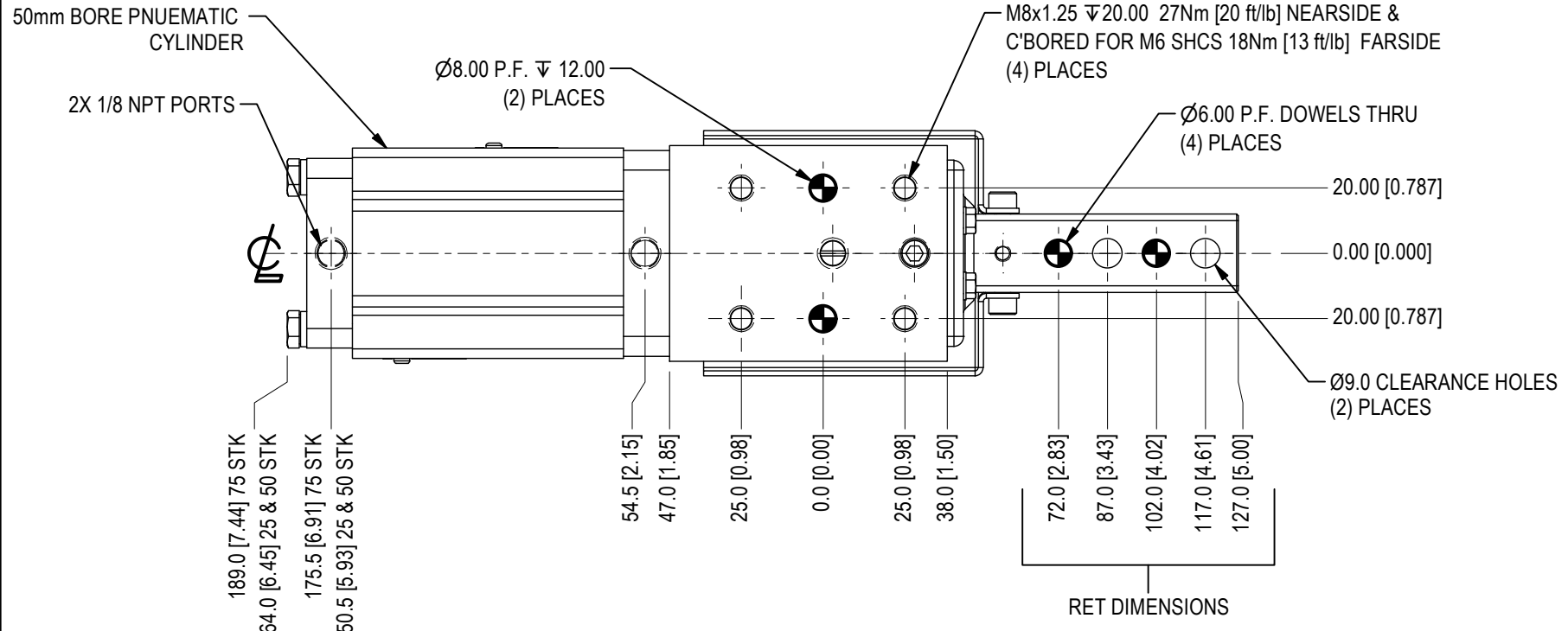
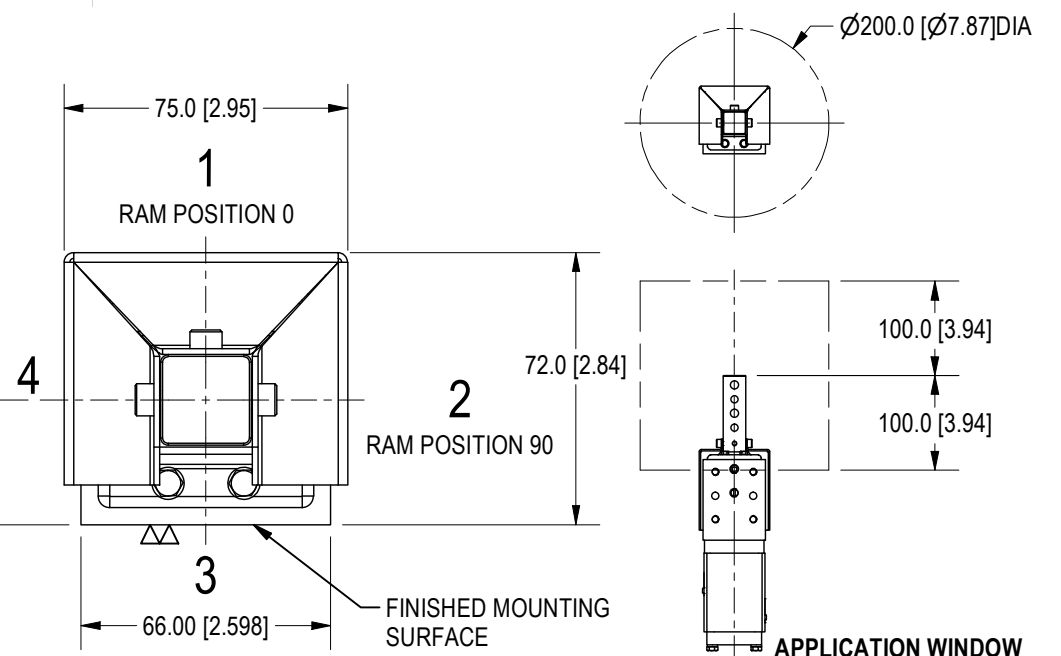
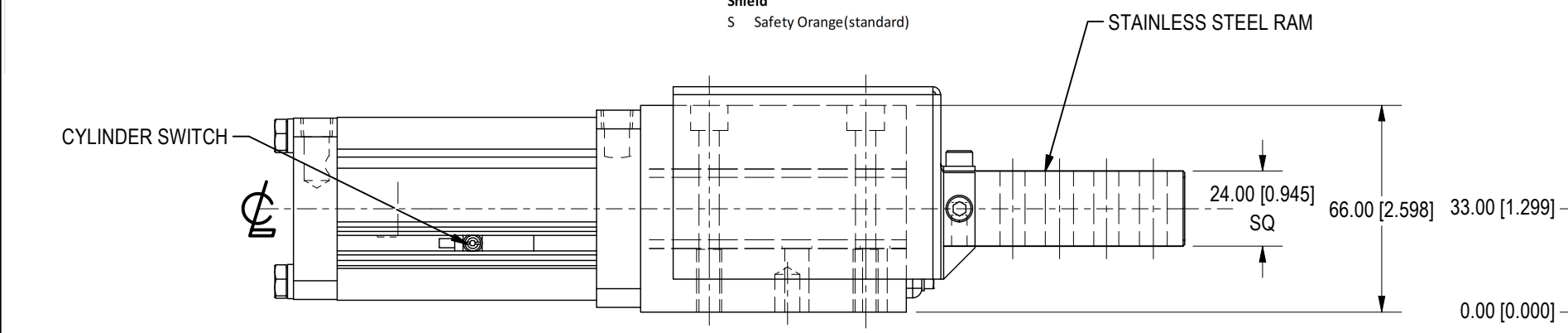
**Port Position**  
1 Port Position (Shown)  
2 Port Position  
3 Pi Port Position  
4 Port Position

**Shield**  
S Safety Orange (standard)

NOTE: Detent option is intended to hold ram in extended position due to loss of air pressure. Detent is not designed to hold GEO location. Tooling weight is not to exceed 12lbs [5kg] vertical. Available for 25-50mm strokes. Body length and cylinder length will increase for 75mm Detent option. Please refer to sheet #2 for 75mm stroke detent dimension.

SYM	CHANGES	DATE	BY
-----	---------	------	----

RAM HOLE ORDERING CHART			
RAM STYLE	Dowels	HOLES	STANDARD
D06, C09	6.00mm THRU	9.0 THRU	** FCA
D06, M08	6.00mm THRU	M8 TAP THRU	
D08, C09	8.00mm THRU	9.0 THRU	** GM
D08, M08	8.00mm THRU	M8 TAP THRU	
D08, C11	8.00mm THRU	11.0 THRU	** FORD
D08, M10	8.00mm THRU	M10 TAP THRU	
D10, C11	10.00mm THRU	11.0 THRU	
D10, M10	10.00mm THRU	M10 TAP THRU	



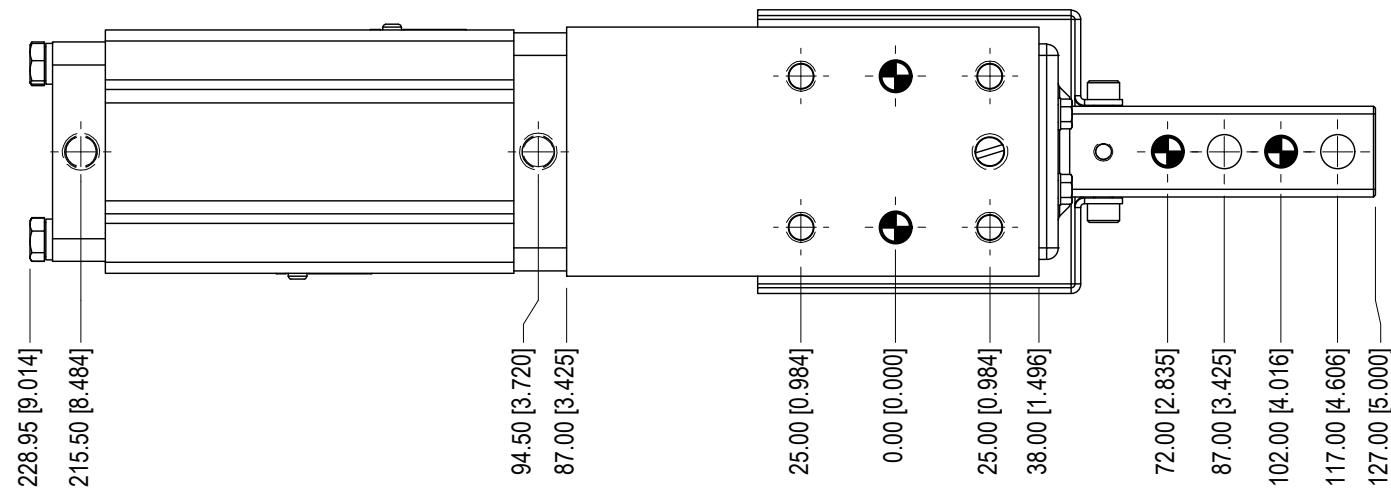
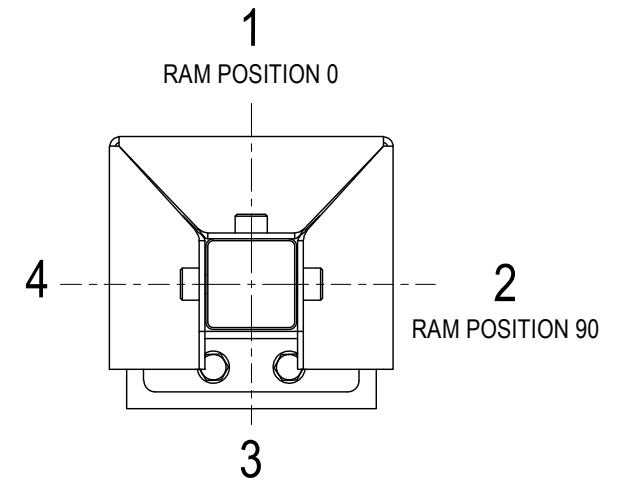
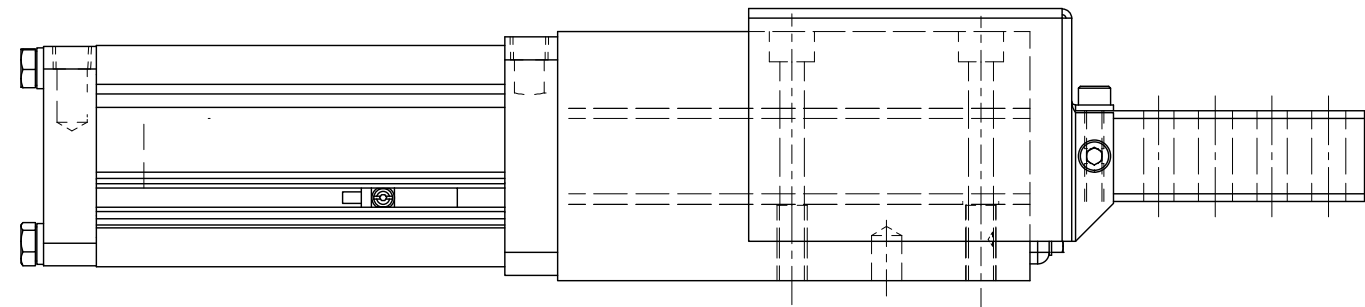
**APPLICATION WINDOW**  
TOOLING MUST BE WITHIN THE APPROVED APPLICATION WINDOW FROM END OF RAM

25mm STROKE USES REMOVABLE CYLINDER STOP TUBE  
 OPERATING PRESSURE - MIN 60psi = 182lbf [82.5kgf] EXT FORCE - 169lbf [76.6kgf] RETRACT FORCE  
 MAX 120psi = 362lbf [164.2kgf] EXT FORCE - 338.5lbf [153.5kgf] RETRACT FORCE  
 LOAD RATING - MAX TOOLING WT=22.5lbs [10kg], MAX GEO CONTACT OFFSET IS 100mm. MAX SIDE LOAD IS 55lbs [25kg]

WEIGHTS =  
 6.5lbs for 25mm & 50mm Strokes  
 7.2lbs for 75mm Stroke  
 8.0lbs for 75mm Stroke - Detent Option

 7200 MILLER DR. WARREN, MI 48092 EE-CP.COM	NOTICE: THIS DRAWING IS PROPERTY OF E&E CUSTOM PRODUCTS INCLUDING THE PRINCIPLES OF THE DESIGN INVOLVED, AND IS SUBMITTED WITH AGREEMENT THAT IT IS NOT TO BE REPRODUCED, COPIED, OR LOANED, IN PART OR WHOLE, ACCEPTANCE OF THIS DRAWING WILL BE CONSTRUED AS AN AGREEMENT TO THE ABOVE		
	TITLE 24 SERIES SHOT PIN		
	PART NO.		
	DRAWN BY:	CHK'D BY: EC	APPR'D BY: TT
	DATE:	DATE: 10/18/2023	DATE: 10/18/2023
SCALE: 1/2	DWG. NO. ASP24-Template - STELLANTIS		
SHT 1 OF 2			

SYM	CHANGES	DATE	BY
-----	---------	------	----



THIS SHEET IS FOR 75mm STROKE DETENT OPTION ONLY

<p>E &amp; E CUSTOM PRODUCTS</p>	<small>NOTICE: THIS DRAWING IS PROPERTY OF E&amp;E CUSTOM PRODUCTS INCLUDING THE PRINCIPLES OF THE DESIGN INVOLVED, AND IS SUBMITTED WITH AGREEMENT THAT IT IS NOT TO BE REPRODUCED, COPIED, OR LOANED, IN PART OR WHOLE, ACCEPTANCE OF THIS DRAWING WILL BE CONSTRUED AS AN AGREEMENT TO THE ABOVE</small>		
	TITLE 24 SERIES SHOT PIN		
	PART NO.		
	DRAWN BY:	CHK'D BY: EC	APPR'D BY: TT
7200 MILLER DR. WARREN, MI 48092 EE-CP.COM	DATE:	DATE: 10/18/2023	
SCALE: 1/2 SHT 2 OF 2	DWG. NO.	ASP24-Template - STELLANTIS	