

ORDERING INFORMATION

ASP34	N	D08	S	0	0	0	0	0	0	0
--------------	----------	------------	----------	----------	----------	----------	----------	----------	----------	----------

Stroke: 025, 050, 075, 100, 125, 150, 175, 200mm

Actuator: N Pneumatic - NPT Ports

Ram Dowels: D08 (Dowels are Nominal)

Ram Holes: C11 Clearance holes, M10 Tapped Holes

Switch: S Sick (Cylinder Switch Only) (Standard) Weld immune over 75mm stroke, P Pepperl & Fuchs (World Switch Only up to 75MM Stroke)

Shield: S Safety Orange (Standard)

RAP: 0 None

Switch Position: E S01 Ext Pos, R S01 Ret Pos

Switch Type: C Cylinder Switch, W World Switch

Detent (Non Rap Only- Up to 150mm): 0 None

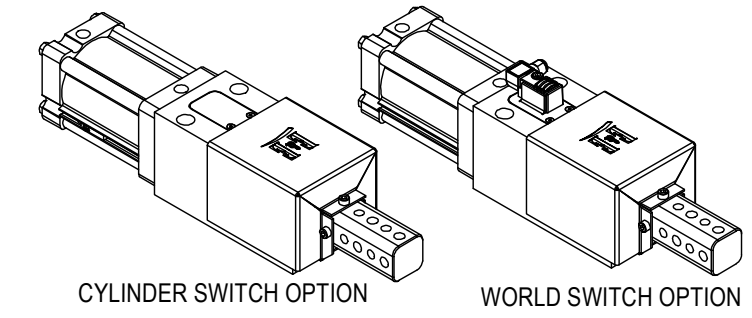
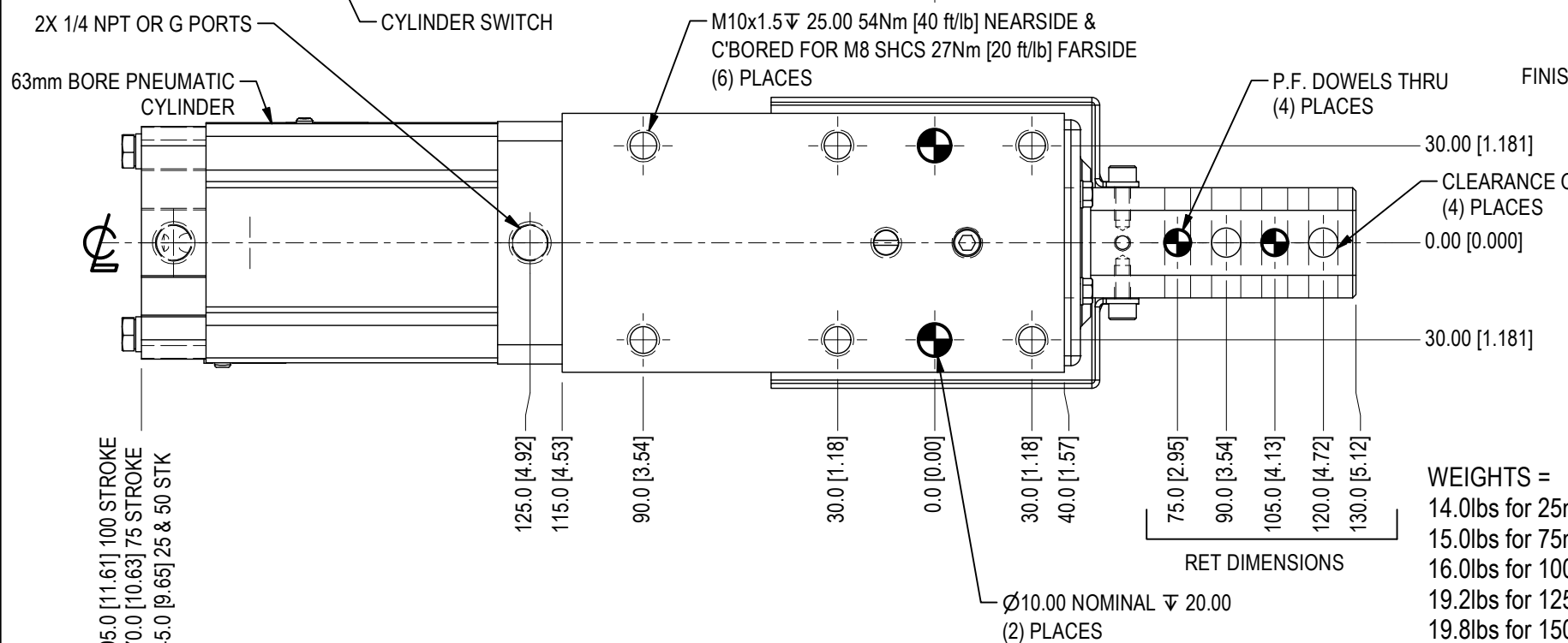
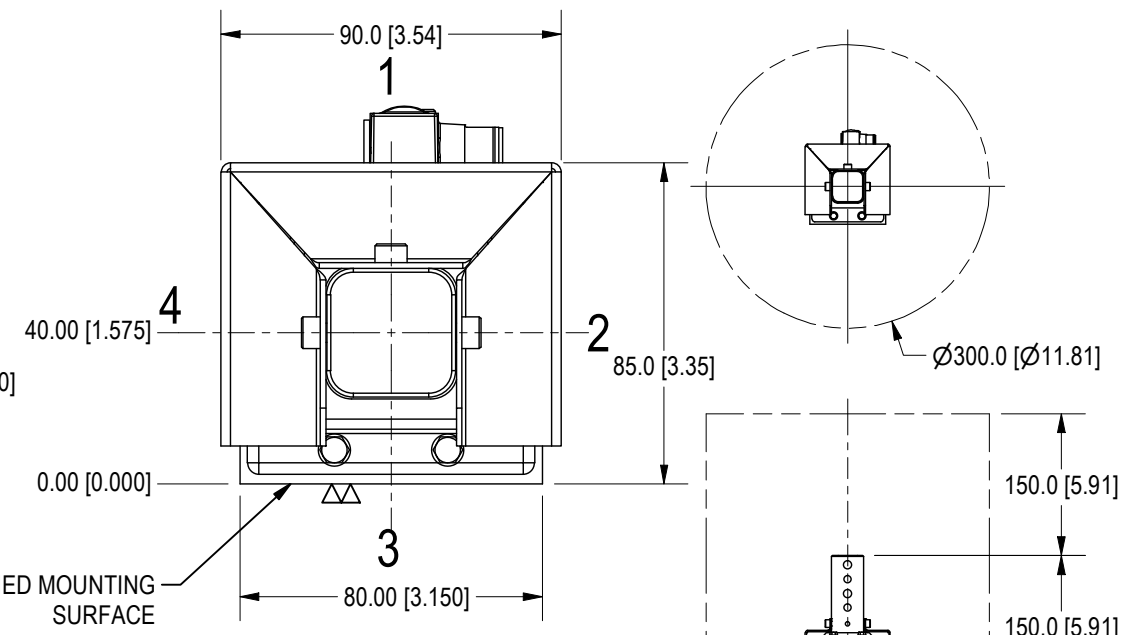
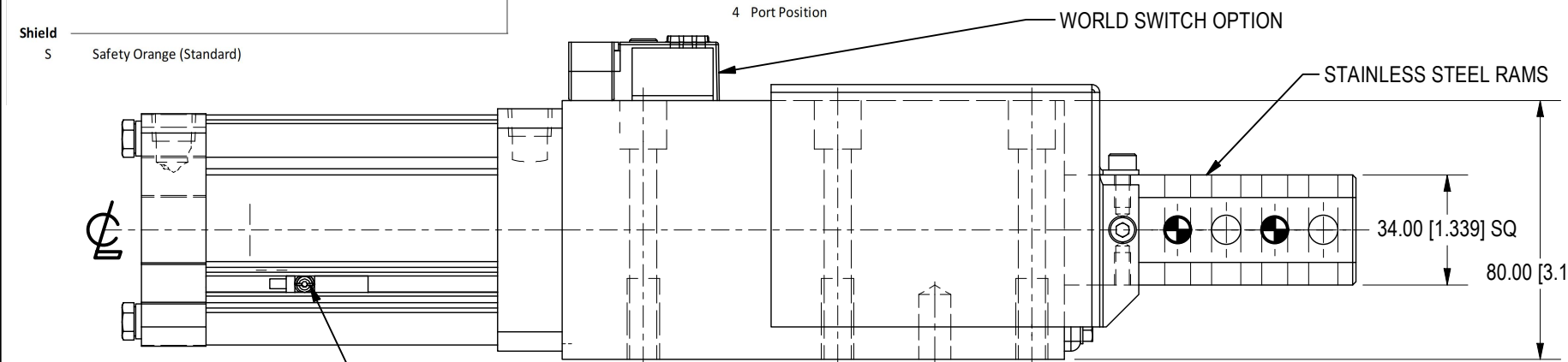
Port Position: 1 Port Position (Shown), 2 Port Position, 3 Port Position, 4 Port Position

NOTE: Detent option is intended to hold ram in extended position due to loss of air pressure. Detent is not designed to hold GEO location. Tooling weight is not to exceed 25lbs [10kg] vertical

(1) ASP430 SPACER WILL BE PROVIDED FOR INTERCHANGEABILITY
 *STROKES 100mm & OVER ARE ONLY AVAILABLE WITH A CYLINDER SWITCH

SEE SHEET 2 FOR 125 & 150 STROKE DIMENSIONS

SYM	CHANGES	DATE	BY
-----	---------	------	----



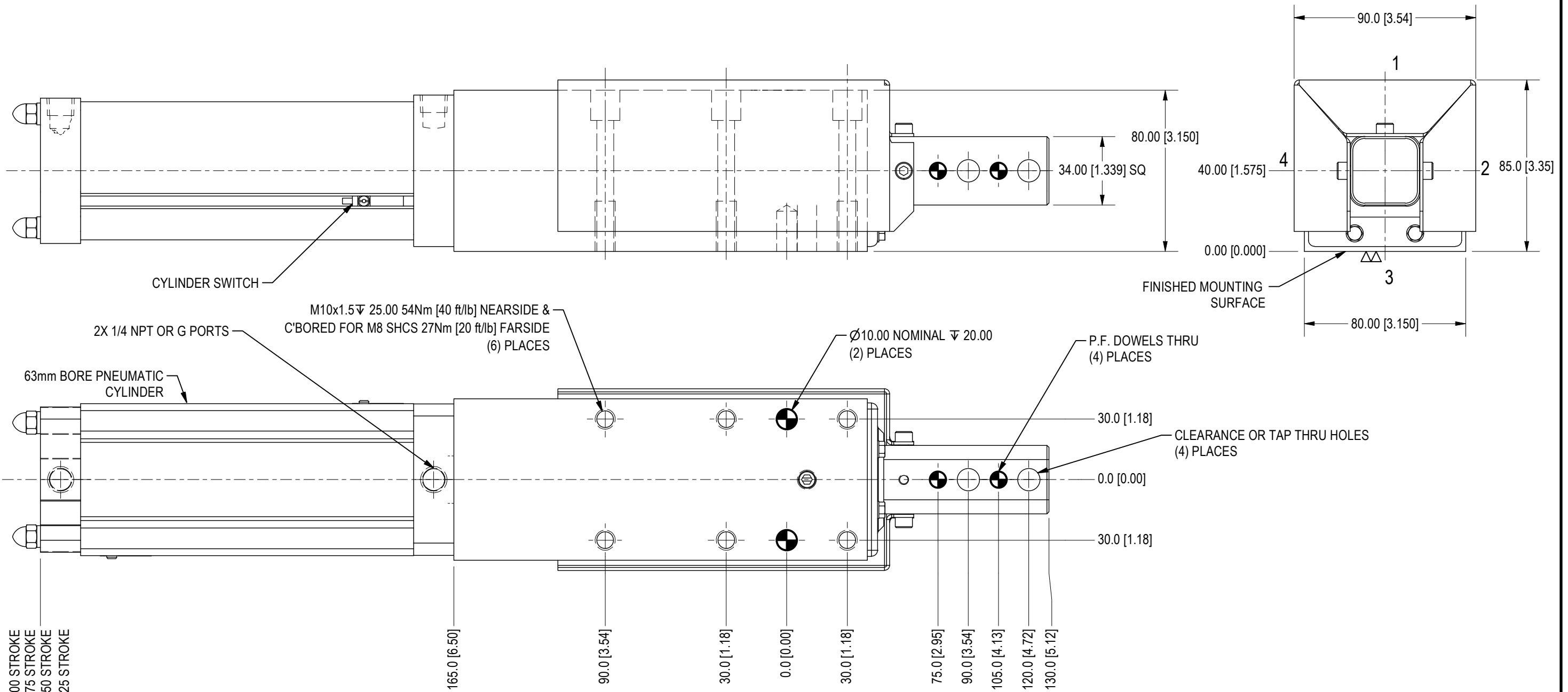
APPLICATION WINDOW
 TOOLING MUST BE WITHIN THE APPROVED APPLICATION WINDOW FROM END OF RAM

WEIGHTS =
 14.0lbs for 25mm & 50mm Strokes
 15.0lbs for 75mm Stroke
 16.0lbs for 100mm Stroke
 19.2lbs for 125mm Stroke
 19.8lbs for 150mm Stroke
 20.4lbs for 175mm Stroke
 21.0lbs for 200mm Stroke

25mm STROKE USES REMOVABLE CYLINDER STOP TUBE
 OPERATING PRESSURE - MIN 60psi = 289lbf [131.0kgf] EXT FORCE - 266lbf [120.6kgf] RETRACT FORCE
 MAX 120psi = 579lbf [262.5kgf] EXT FORCE - 533lbf [241.7kgf] RETRACT FORCE
 LOAD RATING - MAX TOOLING WT=55lbs [25kg], MAX GEO CONTACT OFFSET IS 150mm. MAX SIDE LOAD IS 110lbs [50kg]

 7200 MILLER DR. WARREN, MI 48092 EE-CP.COM	NOTICE: THIS DRAWING IS PROPERTY OF E&E CUSTOM PRODUCTS INCLUDING THE PRINCIPLES OF THE DESIGN INVOLVED, AND IS SUBMITTED WITH AGREEMENT THAT IT IS NOT TO BE REPRODUCED, COPIED, OR LOANED, IN PART OR WHOLE, ACCEPTANCE OF THIS DRAWING WILL BE CONSTRUED AS AN AGREEMENT TO THE ABOVE		
	TITLE: 34 SERIES SHOT PIN		
	PART NO.		
	DRAWN BY: EE DATE: 4/20/2023 SCALE: 1/2 SHT 1 OF 2	CHK'D BY: EC DATE: 10/18/2023 DWG. NO. ASP34-Template-GESTAMP	APPR'D BY: MH DATE: 10/18/2023

SYM	CHANGES	DATE	BY
-----	---------	------	----



125,150,175 & 200 MM STROKE
DIMENSIONS

WEIGHTS =
18.5lbs for 125mm Strokes
19.5lbs for 150mm Stroke

	<small>NOTICE: THIS DRAWING IS PROPERTY OF E&E CUSTOM PRODUCTS INCLUDING THE PRINCIPLES OF THE DESIGN INVOLVED, AND IS SUBMITTED WITH AGREEMENT THAT IT IS NOT TO BE REPRODUCED, COPIED, OR LOANED, IN PART OR WHOLE, ACCEPTANCE OF THIS DRAWING WILL BE CONSTRUED AS AN AGREEMENT TO THE ABOVE</small>		
	TITLE 34 SERIES SHOT PIN		
PART NO.			
DRAWN BY: EE	CHK'D BY: EC	APPR'D BY: MH	
DATE: 4/20/2023	DATE: 10/18/2023	DATE: 10/18/2023	
SCALE: 1/2	DWG. NO. ASP34-Template-GESTAMP		
SHT 2 OF 2			

7200 MILLER DR.
WARREN, MI 48092
EE-CP.COM