

ORDERING INFORMATION

ASP34- [] [] [] N D10 C11 [] S [] [] [] [] 0

Stroke
025, 050, 075, 100, 125, 150mm

Actuator
N Pneumatic - NPT Ports

Ram Dowels
D10 (Dowels are Nominal)

Ram Holes
C11 Clearance holes

Switch
S Sick (Cylinder Switch Only) (Standard) Weld immune
T Turck

Shield
S Safety Orange (Standard)

RAP
0 None

Switch Position
E S01 Ext Pos
R S01 Ret Pos

Switch Type
C Cylinder Switch
W World Switch

Detent (Non Rap Only)
0 None
D Detent

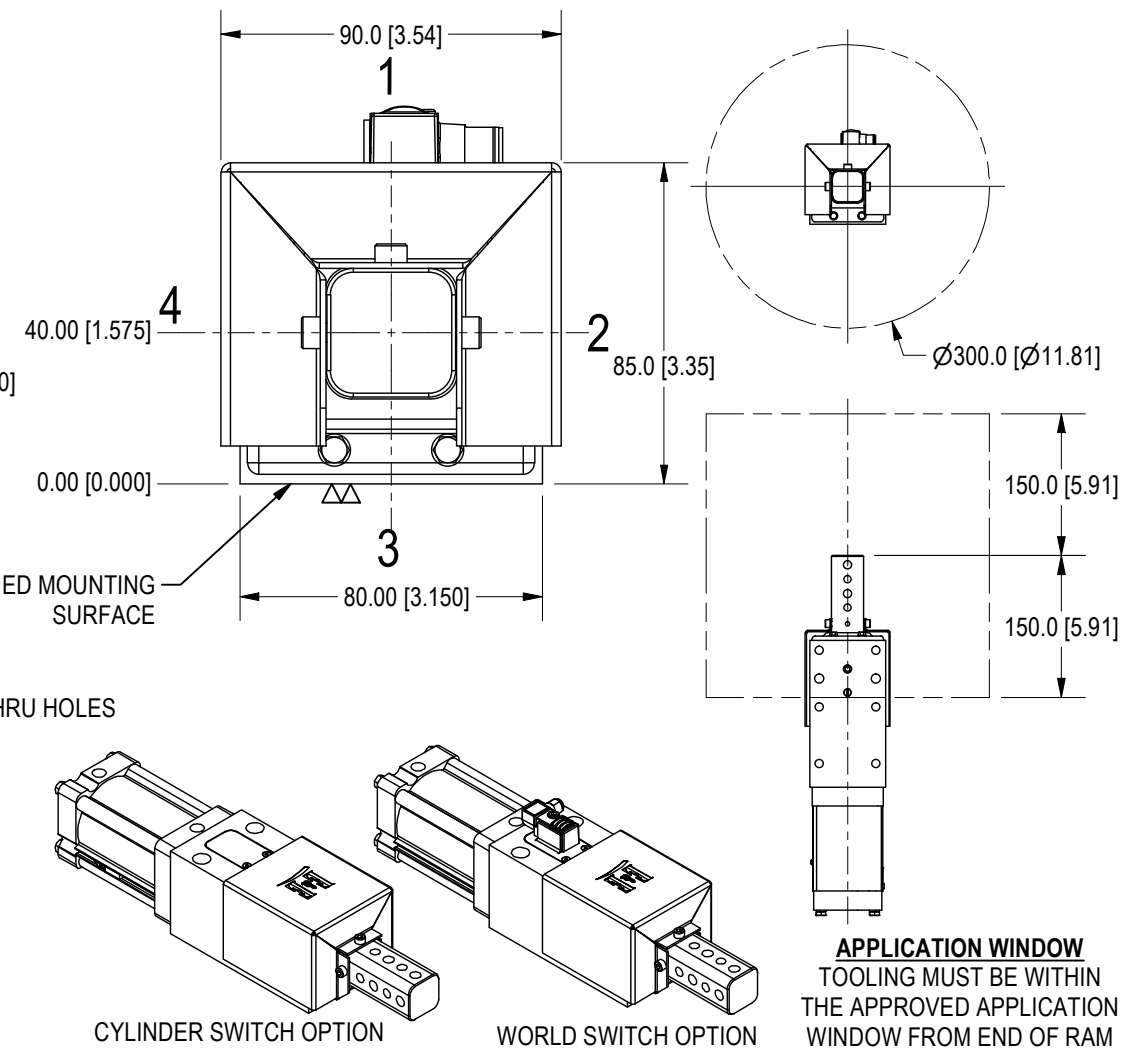
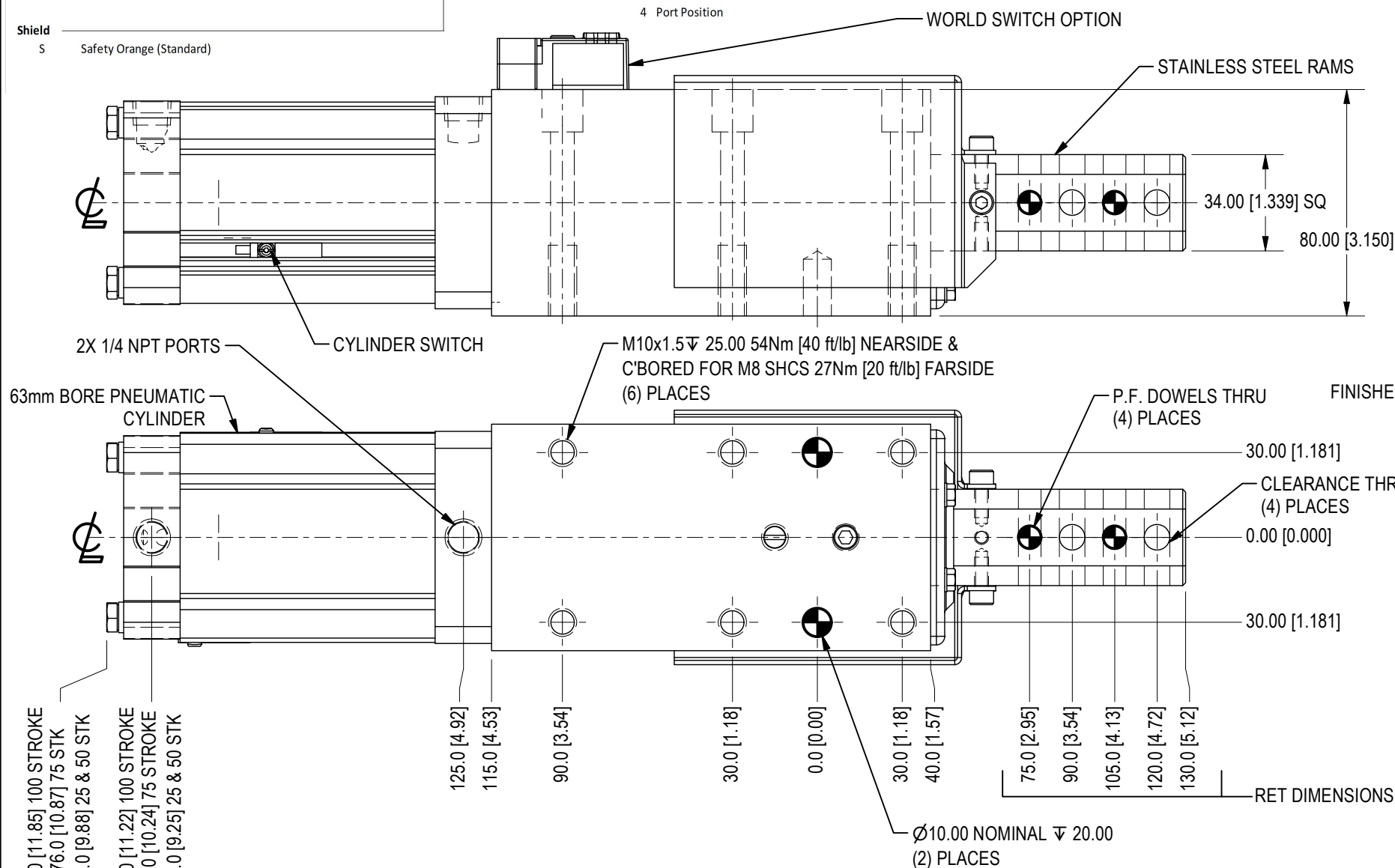
Port Position
1 Port Position (Shown)
2 Port Position
3 Port Position
4 Port Position

NOTE: Detent option is intended to hold ram in extended position due to loss of air pressure. Detent is not designed to hold GEO location. Tooling weight is not to exceed 25lbs [10kg] vertical

(1) ASP430 SPACER WILL BE PROVIDED FOR INTERCHANGEABILITY
*STROKES 100mm & OVER ARE ONLY AVAILABLE WITH A CYLINDER SWITCH

SEE SHEET 2 FOR 125 & 150 STROKE DIMENSIONS

SYM	CHANGES	DATE	BY
-----	---------	------	----

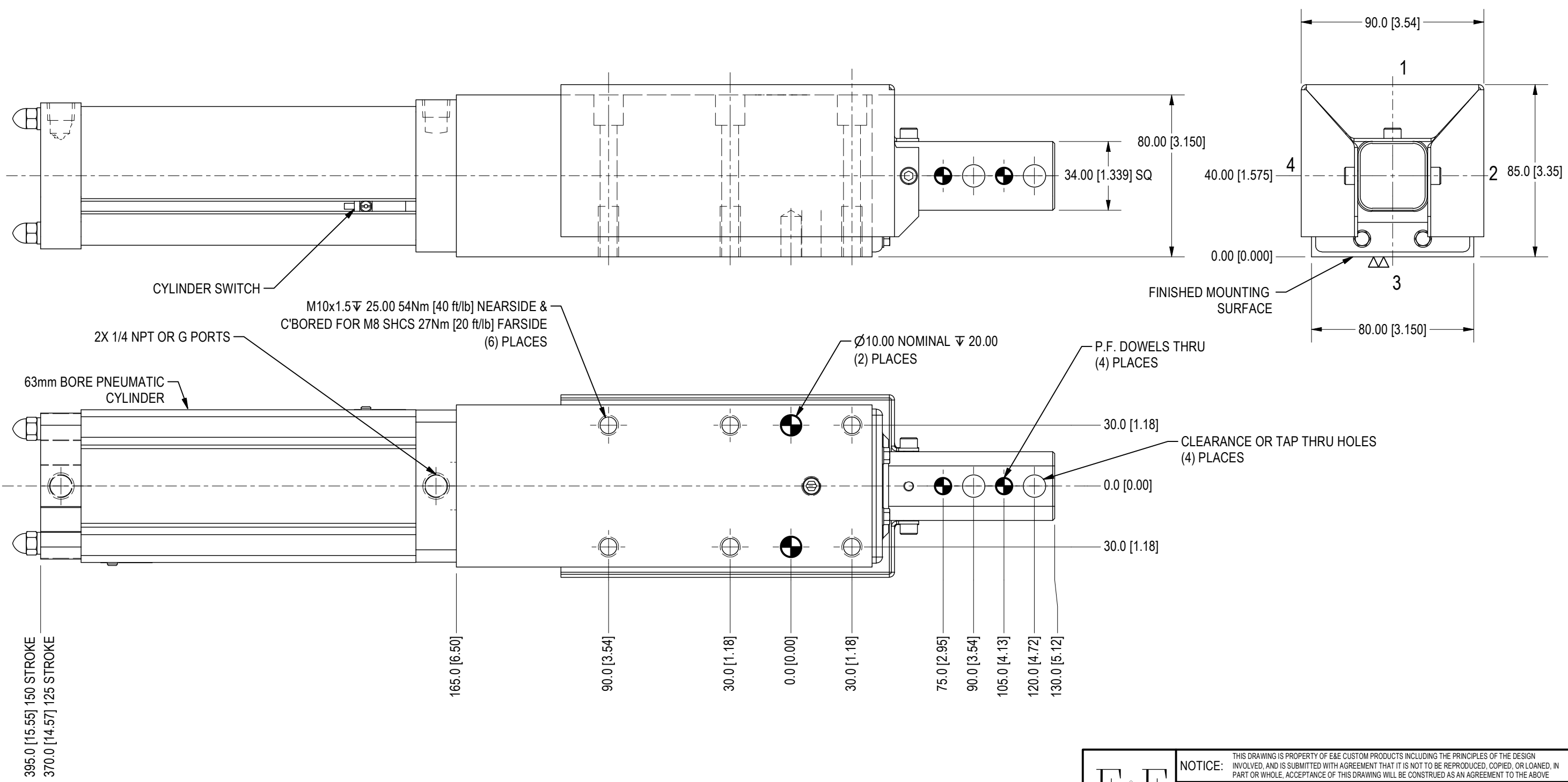


25mm STROKE USES REMOVABLE CYLINDER STOP TUBE
OPERATING PRESSURE - MIN 60psi = 289lbf [131.0kgf] EXT FORCE - 266lbf [120.6kgf] RETRACT FORCE
MAX 120psi = 579lbf [262.5kgf] EXT FORCE - 533lbf [241.7kgf] RETRACT FORCE
LOAD RATING - MAX TOOLING WT=55lbs [25kg], MAX GEO CONTACT OFFSET IS 150mm. MAX SIDE LOAD IS 110lbs [50kg]

WEIGHTS =
14.0lbs for 25mm & 50mm Strokes
15.0lbs for 75mm Stroke
16.0lbs for 100mm Stroke

<p>E & E CUSTOM PRODUCTS</p> <p>7200 MILLER DR. WARREN, MI 48092 EE-CP.COM</p>	<p>NOTICE: THIS DRAWING IS PROPERTY OF E&E CUSTOM PRODUCTS INCLUDING THE PRINCIPLES OF THE DESIGN INVOLVED, AND IS SUBMITTED WITH AGREEMENT THAT IT IS NOT TO BE REPRODUCED, COPIED, OR LOANED, IN PART OR WHOLE, ACCEPTANCE OF THIS DRAWING WILL BE CONSTRUED AS AN AGREEMENT TO THE ABOVE</p>		
	<p>TITLE 34 SERIES SHOT PIN</p>		
	<p>PART NO.</p>		
	<p>DRAWN BY: EE</p>	<p>CHK'D BY: EC</p>	<p>APPR'D BY: MH</p>
	<p>DATE: 11/22/2022</p>	<p>DATE: 11/22/2022</p>	<p>DATE: 11/22/2022</p>
<p>SCALE: 1/2</p>	<p>DWG. NO. ASP34-Template-METALSA</p>		
<p>SHT 1 OF 2</p>			

SYM	CHANGES	DATE	BY
-----	---------	------	----



125 & 150 MM STROKE DIMENSIONS

WEIGHTS =
 18.5lbs for 125mm Strokes
 19.5lbs for 150mm Stroke

 7200 MILLER DR. WARREN, MI 48092 EE-CP.COM	NOTICE: THIS DRAWING IS PROPERTY OF E&E CUSTOM PRODUCTS INCLUDING THE PRINCIPLES OF THE DESIGN INVOLVED, AND IS SUBMITTED WITH AGREEMENT THAT IT IS NOT TO BE REPRODUCED, COPIED, OR LOANED, IN PART OR WHOLE, ACCEPTANCE OF THIS DRAWING WILL BE CONSTRUED AS AN AGREEMENT TO THE ABOVE		
	TITLE 34 SERIES SHOT PIN		
	PART NO.		
	DRAWN BY: EE DATE: 11/22/2022	CHK'D BY: EC DATE: 11/22/2022	APPR'D BY: MH DATE: 11/22/2022
SCALE: 1/2 SHT 2 OF 2		DWG. NO. ASP34-Template-METALSA	