

ORDERING INFORMATION

SYM	CHANGES	DATE	BY
-----	---------	------	----



Stroke
025, 050, 075, 100, 125, 150, 175 & 200

Actuator
N Pneumatic - NPT Ports
G Pneumatic - G Ports

Ram Dowels
D06, D08, D10 (Dowels are Nominal)

Ram Holes
C09, C11 Clearance holes
M08, M10 Tapped Holes

Switch
E Efector Weld Immune
B Balluff
S Sick (Cylinder Switch only)(Standard) Weld Immune
T Turck
P Pepperl & Fuchs (World Switch Only)

Shield
0 None
S Safety Orange (Standard)

RAP
0 None
R Rap (Reduces Stroke by 3mm)

Switch Position
E S01 Ext Pos
R S01 Ret Pos

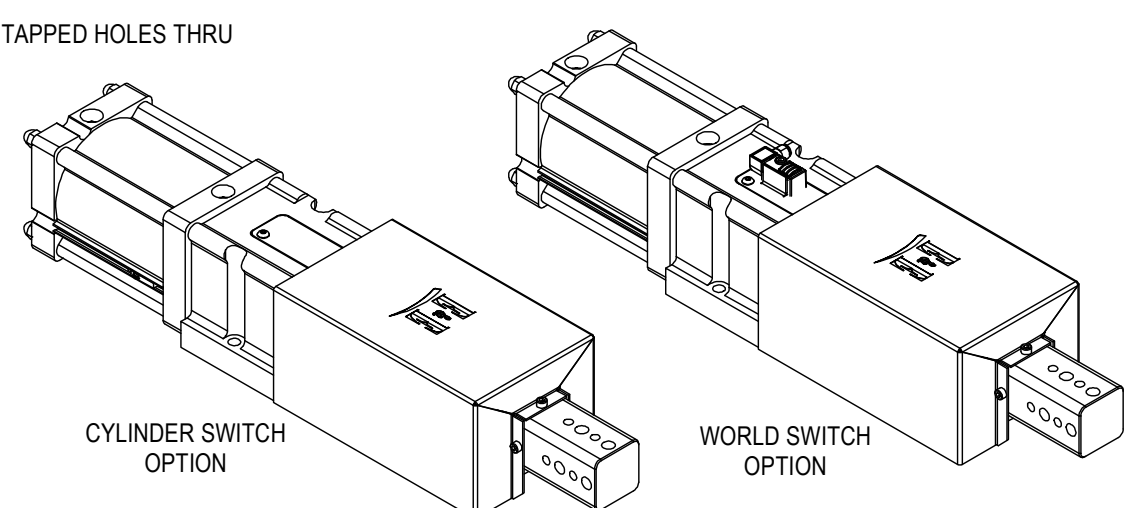
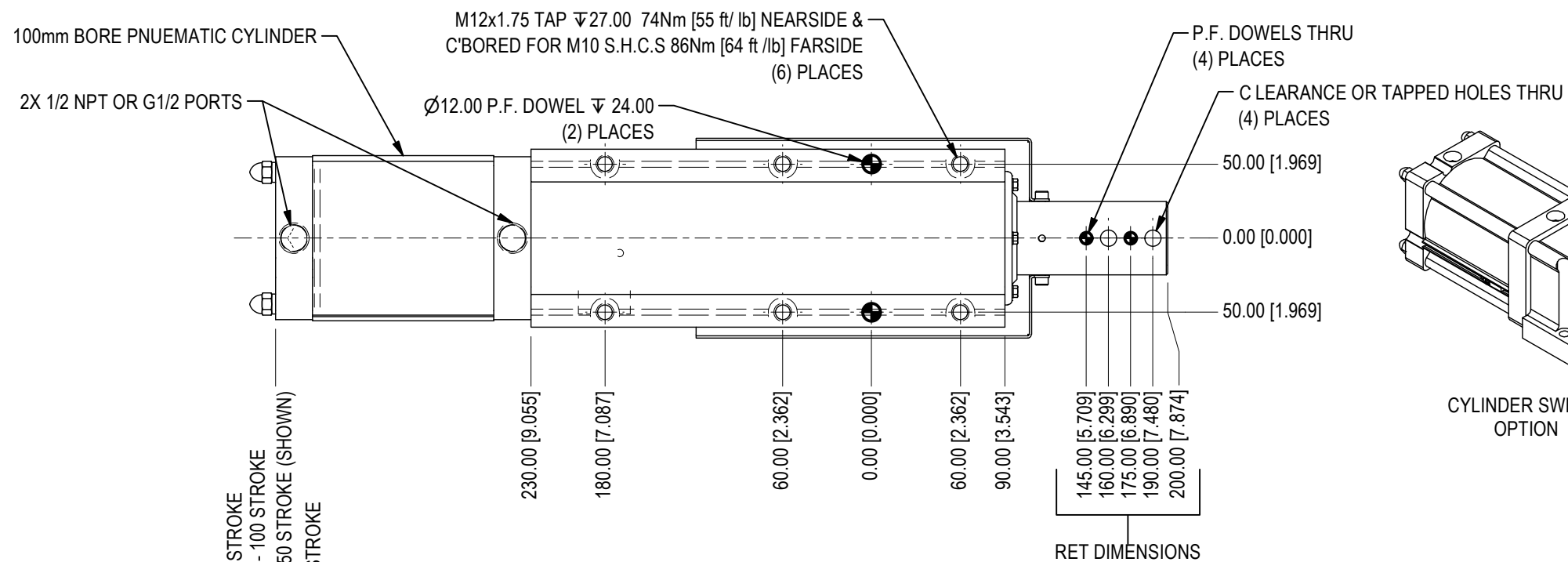
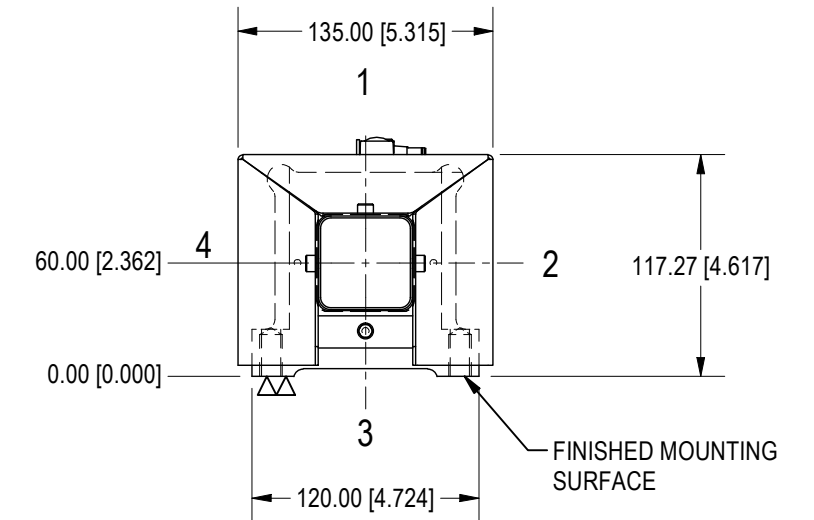
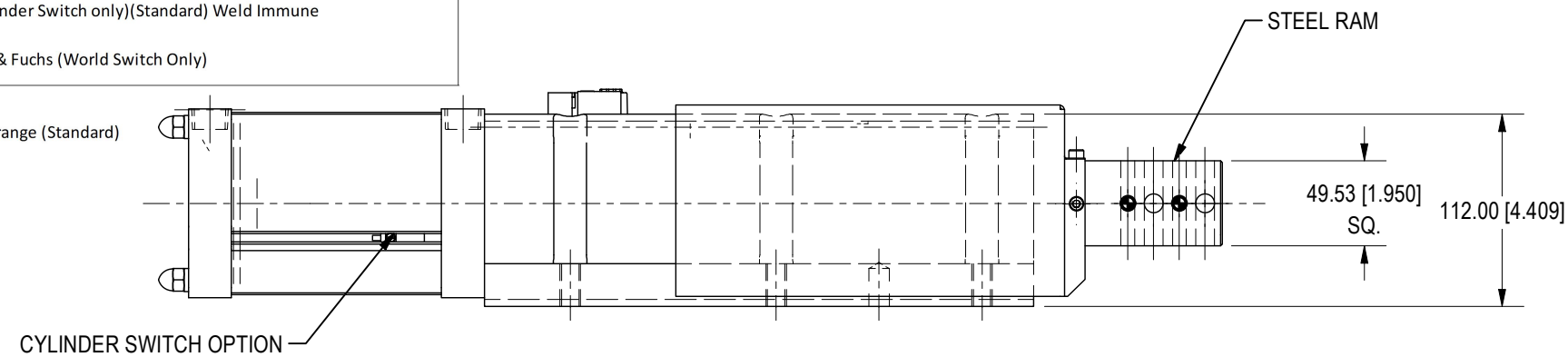
Switch Type
C Cylinder Switch (All strokes)
W World Switch (25-100 Strokes)

Port Position
1 Port Position (Shown)
2 Port Position
3 Port Position
4 Port Position

(1) ASP452 SPACER WILL BE PROVIDED FOR INTERCHANGEABILITY

*STROKES 125mm & OVER ARE ONLY AVAILABLE WITH A CYLINDER SWITCH

RAM HOLE ORDERING CHART			
RAM STYLE	Dowels	HOLES	STANDARD
D06, C09	6.00mm THRU	9.0 THRU	** FCA
D06, M08	6.00mm THRU	M8 TAP THRU	
D08, C09	8.00mm THRU	9.0 THRU	** GM
D08, M08	8.00mm THRU	M8 TAP THRU	
D08, C11	8.00mm THRU	11.0 THRU	** FORD
D08, M10	8.00mm THRU	M10 TAP THRU	
D10, C11	10.00mm THRU	11.0 THRU	
D10, M10	10.00mm THRU	M10 TAP THRU	



527.50 [20.768] 200 STROKE
502.50 [19.783] 175 - 100 STROKE
402.50 [15.846] 75 - 50 STROKE (SHOWN)
352.50 [13.888] 25 STROKE

50, 100, 125 & 150mm STROKE USE REMOVABLE CYLINDER STOP TUBE
OPERATING PRESSURE
MIN 60psi = 730.lbf [331.3kgf] EXT FORCE - 547lbf [248.4kgf] RETRACT FORCE
MAX 100psi = 1217bf [2683.4kgf] EXT FORCE - 913lbf [414.1kgf] RETRACT FORCE

WEIGHTS =
45.5lbs for 25mm Stroke
48.5lbs for 50-75mm Stroke
53.5lbs for 100-175mm Stroke
54.5lbs for 200mm Stroke

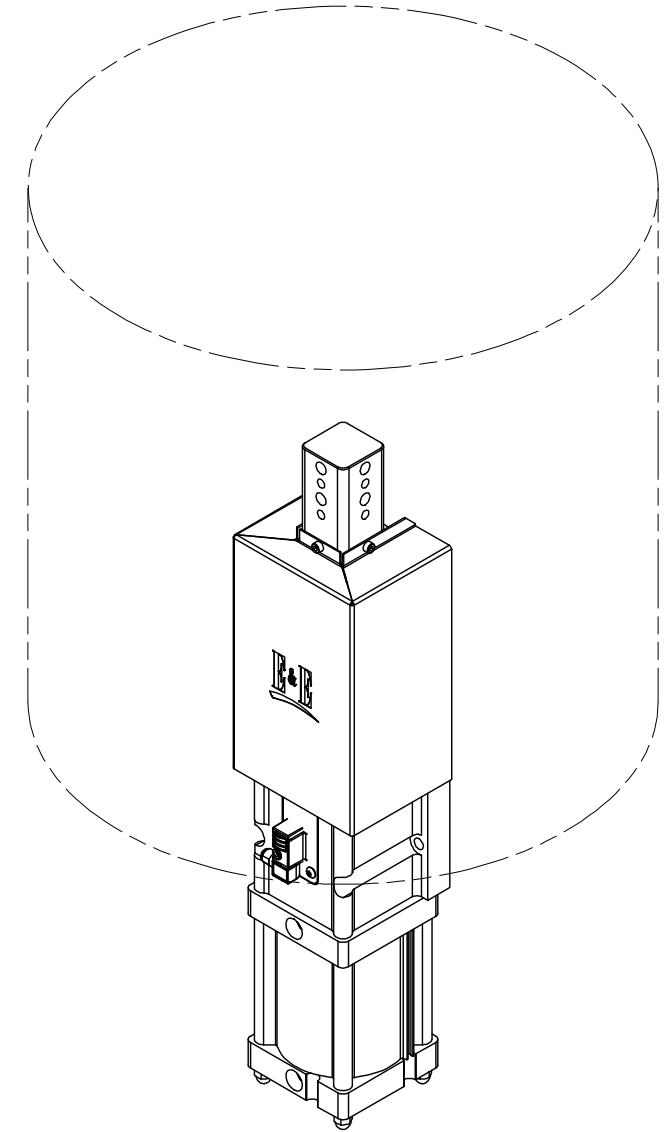
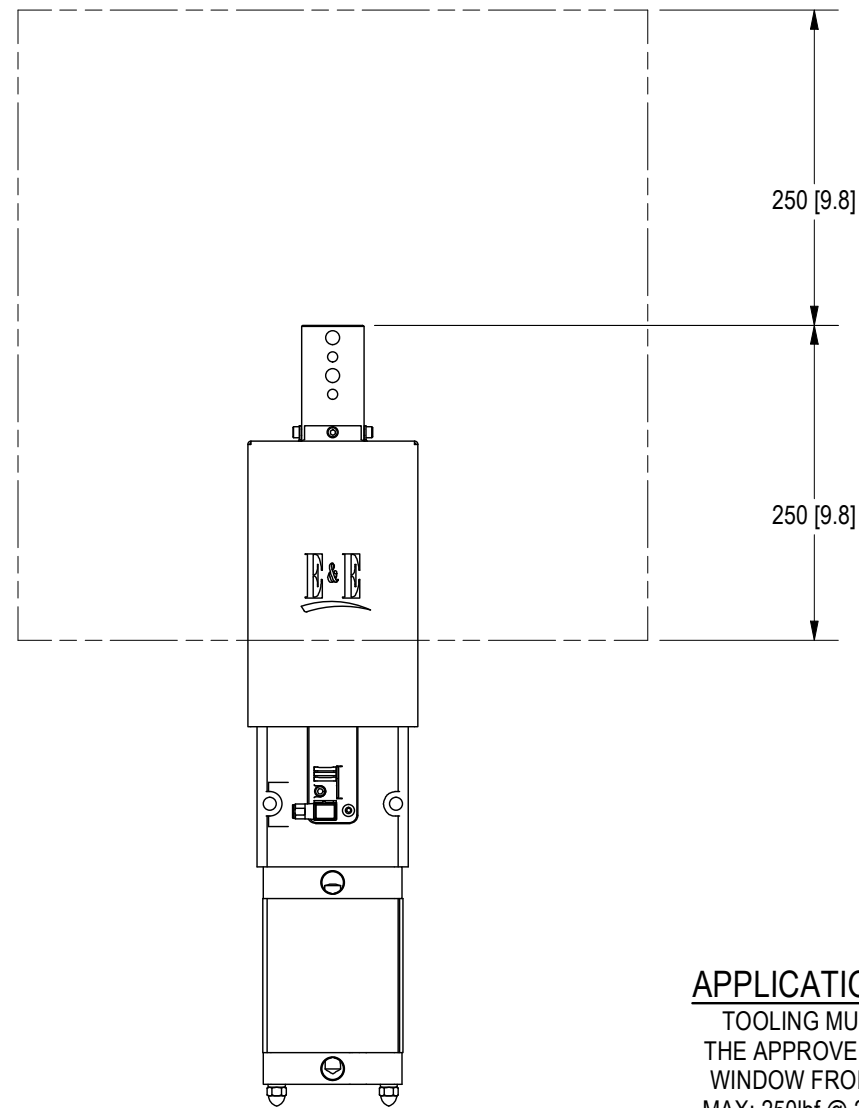
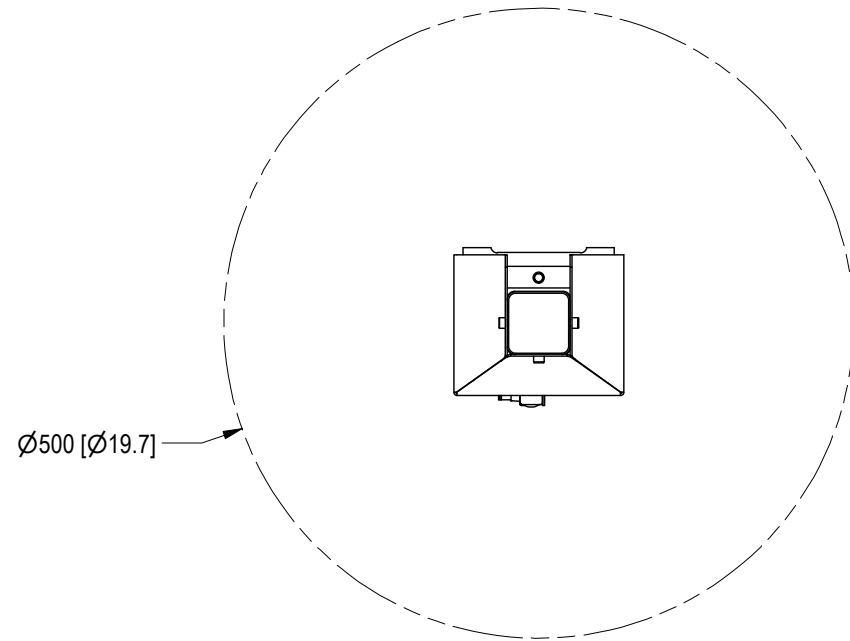
 7200 MILLER DR. WARREN, MI 48092 EE-CP.COM	NOTICE: THIS DRAWING IS PROPERTY OF E&E CUSTOM PRODUCTS INCLUDING THE PRINCIPLES OF THE DESIGN INVOLVED, AND IS SUBMITTED WITH AGREEMENT THAT IT IS NOT TO BE REPRODUCED, COPIED, OR LOANED, IN PART OR WHOLE, ACCEPTANCE OF THIS DRAWING WILL BE CONSTRUED AS AN AGREEMENT TO THE ABOVE		
	TITLE 50 SERIES SHOT PIN		
	PART NO.		
	DRAWN BY: EE DATE: 10/8/2022 SCALE: 1/4 SHT 1 OF 2	CHK'D BY: EC DATE: 10/23/2023 DWG. NO. ASP50-TEMPLATE	APPR'D BY: MH DATE: 10/23/2023

SYM

CHANGES

DATE

BY



APPLICATION WINDOW

TOOLING MUST BE WITHIN THE APPROVED APPLICATION WINDOW FROM END OF RAM
MAX: 250lbf @ 250.00mm [9.84"]

	<small>NOTICE: THIS DRAWING IS PROPERTY OF E&E CUSTOM PRODUCTS INCLUDING THE PRINCIPLES OF THE DESIGN INVOLVED, AND IS SUBMITTED WITH AGREEMENT THAT IT IS NOT TO BE REPRODUCED, COPIED, OR LOANED, IN PART OR WHOLE, ACCEPTANCE OF THIS DRAWING WILL BE CONSTRUED AS AN AGREEMENT TO THE ABOVE</small>		
	TITLE 50 SERIES SHOT PIN		
PART NO.			
DRAWN BY: EE	CHK'D BY: EC	APPR'D BY: MH	
DATE: 10/8/2022	DATE: 10/23/2023	DATE: 10/23/2023	
SCALE: 1/6	DWG. NO. ASP50-TEMPLATE		
SHT 2 OF 2			

7200 MILLER DR.
WARREN, MI 48092
EE-CP.COM