

SYM	CHANGES	DATE	BY
-----	---------	------	----

### ORDERING INFORMATION



**\*\*ACCEPTS NAAMS STYLE PINS  
\*\*25MM AND 50MM RETRACT**

**Stroke**  
025 & 050

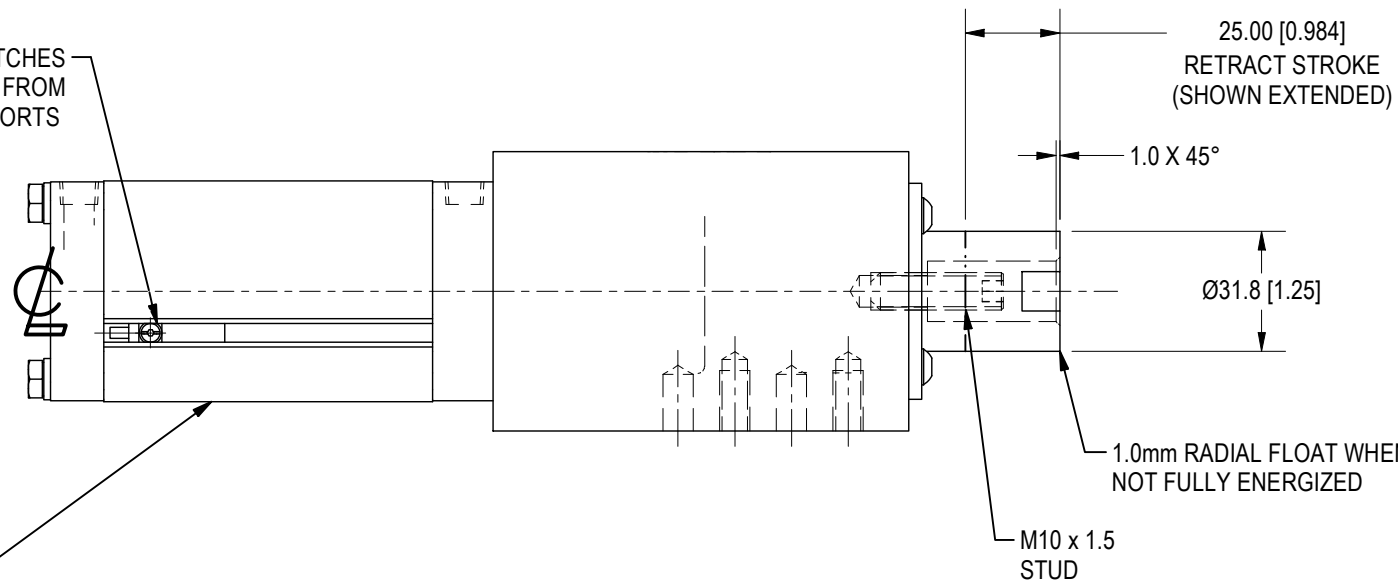
**Switch Position**  
E S01 Ext Pos (Std)

**Actuator**  
N Pneumatic - NPT Ports  
G Pneumatic - G Ports

**Port Position**  
1 Port Position (Shown)  
2 Port Position  
3 Port Position  
4 Port Position

**Switch**  
S Sick (Standard) Weld Immune  
E Efector Weld Immune  
T Turck  
B Balluff

CYLINDER SWITCHES  
ARE LOCATED 90° FROM  
PORTS



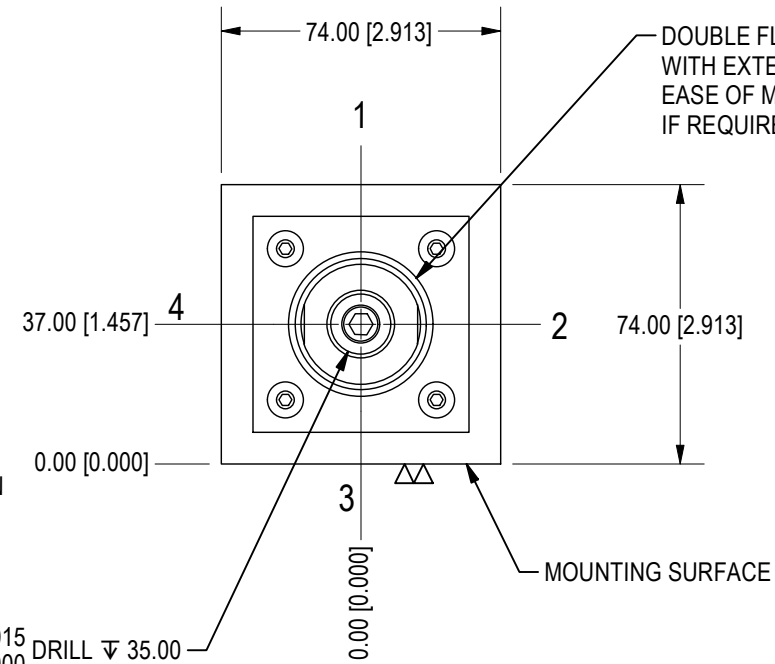
50mm BORE PNEUMATIC  
CYLINDER

M8x1.25 TAP  $\nabla$  16.00 - 27Nm [20 ft/lb]  
(4) PLACES

Ø8.00 P.F.  $\nabla$  15.00  
(4) PLACES

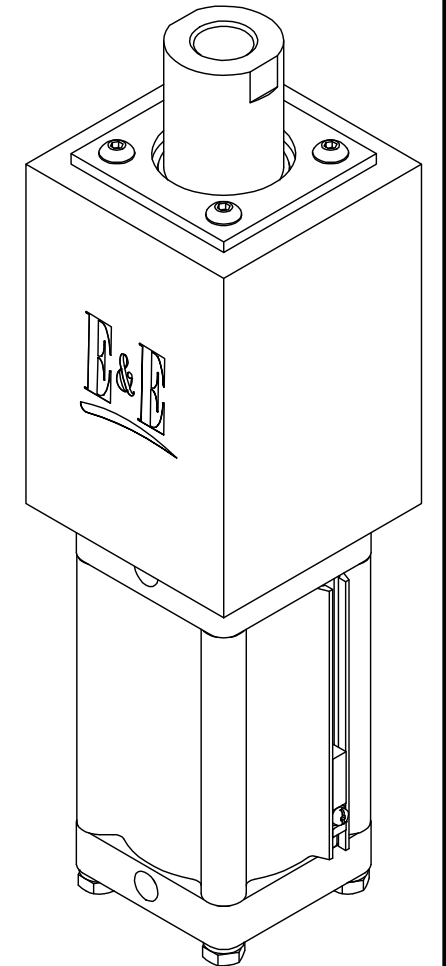
NAAMS SHIMMING  
3 OR 4 HOLE / SLOT  
SHIMS AND SPACERS

Ø16.00  $^{+0.015}_{-0.000}$  DRILL  $\nabla$  35.00  
ACCEPTS NAAMS PIN

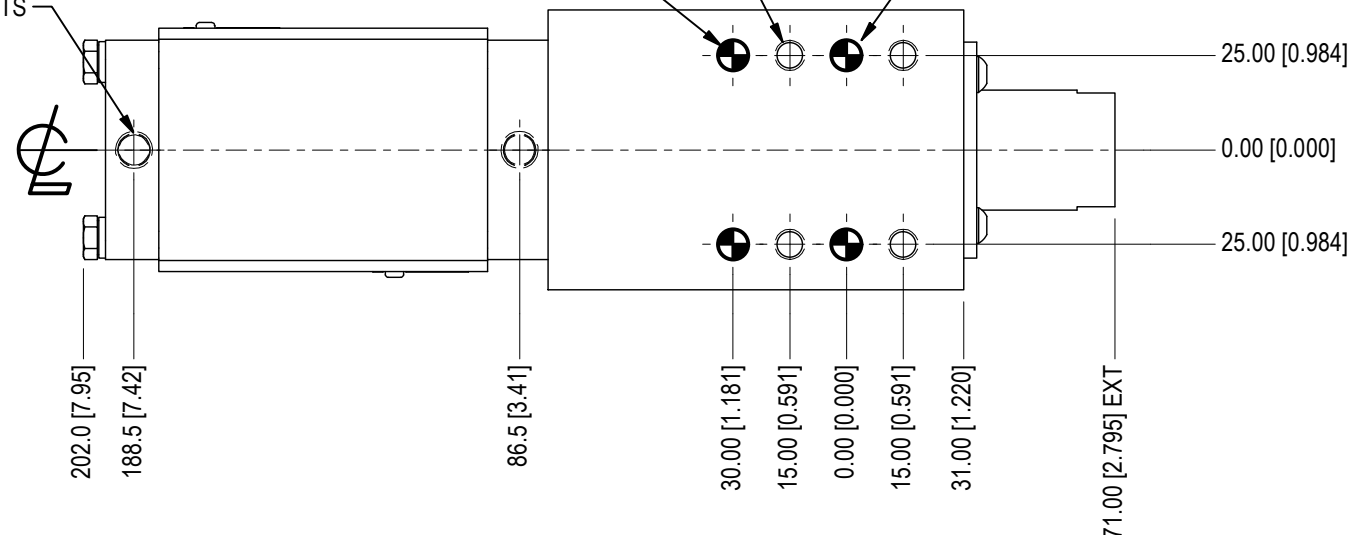


DOUBLE FLOATING SEAL  
WITH EXTERNAL RETAINER  
EASE OF MAINTENANCE  
IF REQUIRED

MOUNTING SURFACE



2X 1/8 NPT OR G PORTS

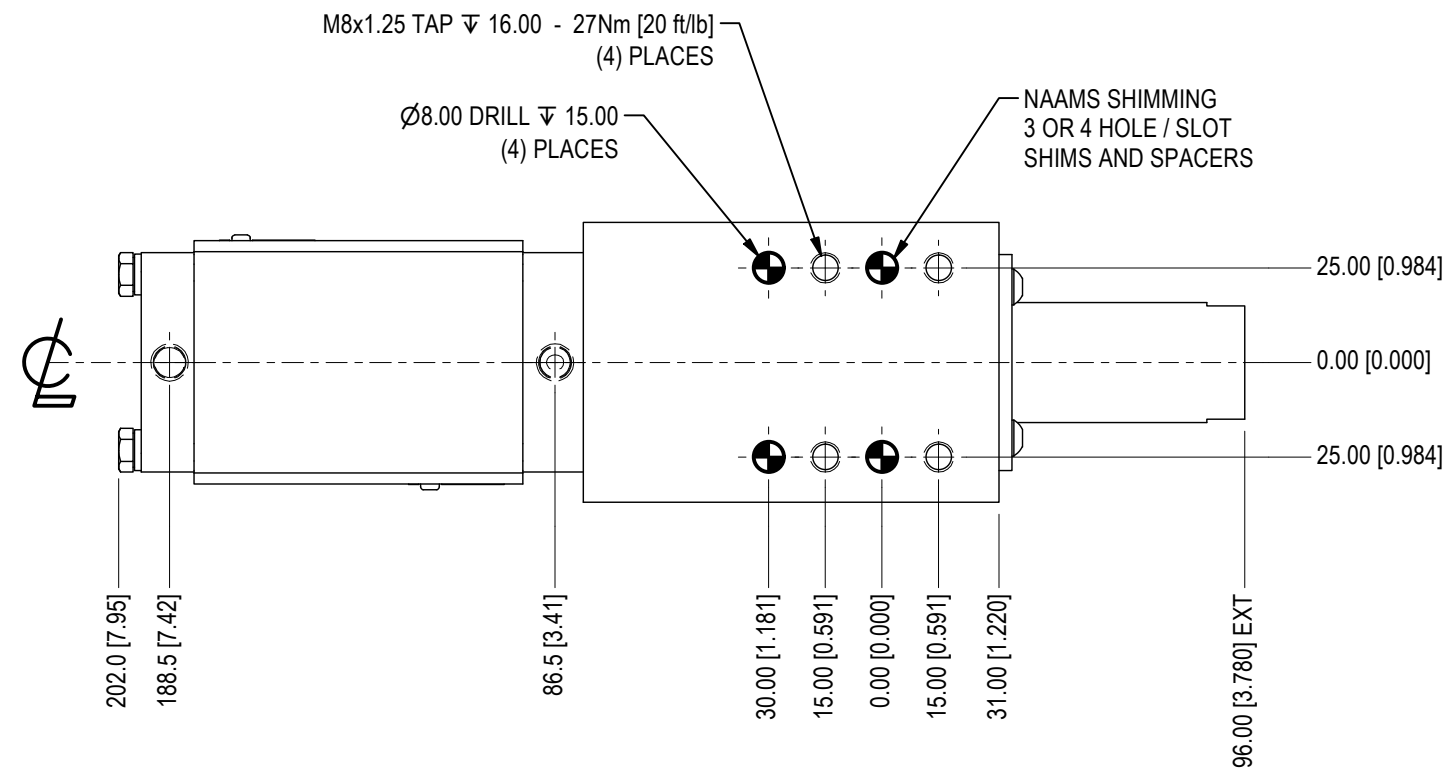
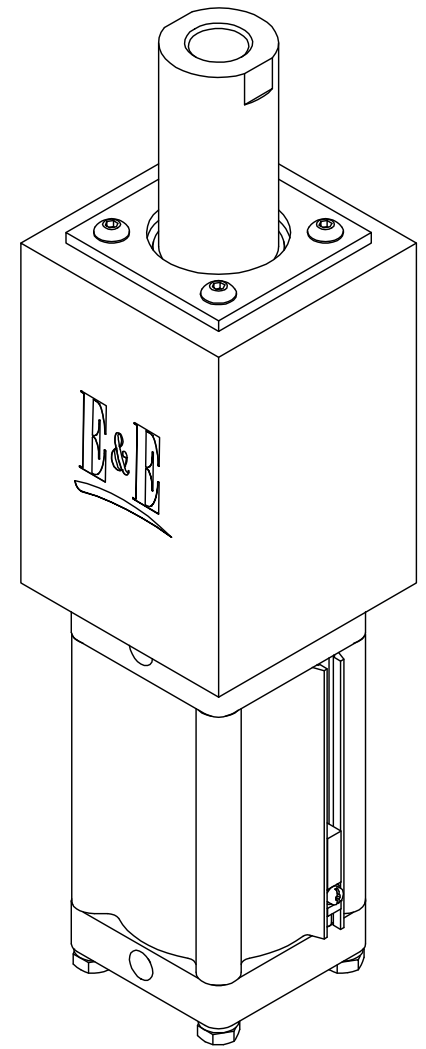
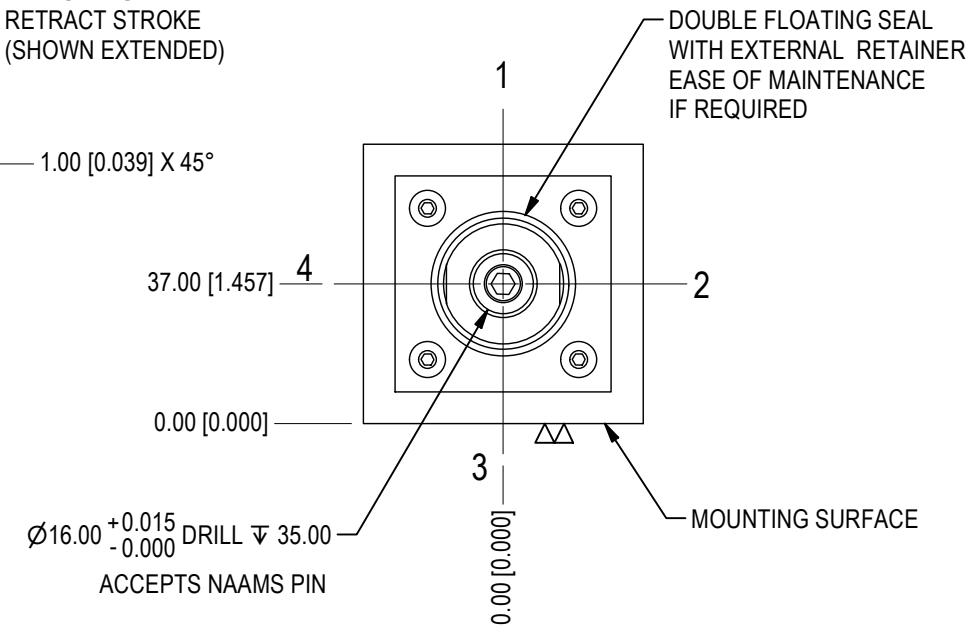
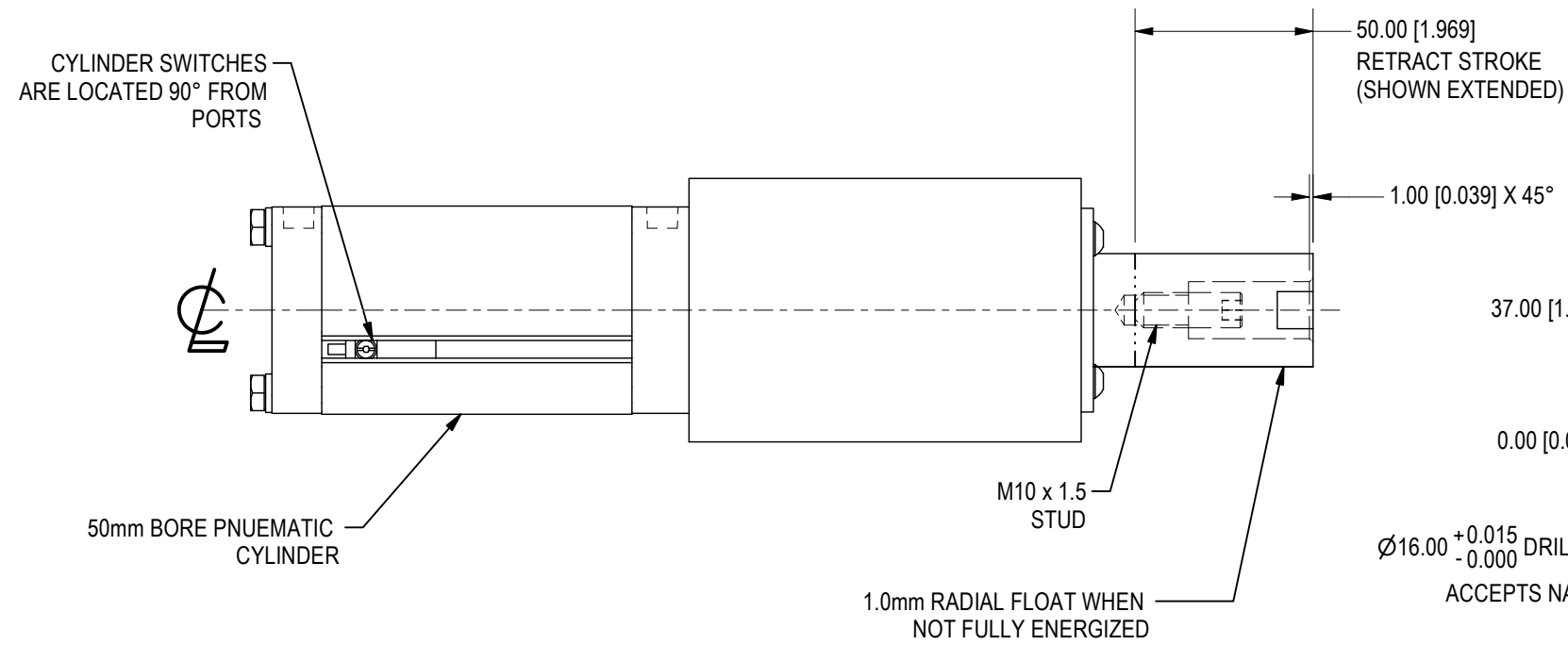


**25MM STROKE SHOWN  
(SEE SHT 2 FOR 50MM STROKE DIMENSIONS)**

WEIGHT = 7.3lbs

<p>E &amp; E CUSTOM PRODUCTS</p> <p>7200 MILLER DR. WARREN, MI 48092 EE-CP.COM</p>	<p>NOTICE: THIS DRAWING IS PROPERTY OF E&amp;E CUSTOM PRODUCTS INCLUDING THE PRINCIPLES OF THE DESIGN INVOLVED, AND IS SUBMITTED WITH AGREEMENT THAT IT IS NOT TO BE REPRODUCED, COPIED, OR LOANED, IN PART OR WHOLE, ACCEPTANCE OF THIS DRAWING WILL BE CONSTRUED AS AN AGREEMENT TO THE ABOVE</p>		
	<p>TITLE FLOATING SHOT PIN</p>		
	<p>PART NO.</p>		
	<p>DRAWN BY: EE</p>	<p>CHK'D BY: EC</p>	<p>APPR'D BY: MH</p>
	<p>DATE: 8/14/2021</p>	<p>DATE: 10/17/2023</p>	<p>DATE: 10/17/2023</p>
<p>SCALE: 1/2</p>	<p>DWG. NO. FSP-TEMPLATE</p>		
<p>SHT 1 OF 2</p>			

SYM	CHANGES	DATE	BY
-----	---------	------	----



50MM STROKE SHOWN  
(SEE SHT 1 FOR 25MM STROKE DIMENSIONS)

WEIGHT = 6.6lbs

<p>E &amp; E CUSTOM PRODUCTS</p> <p>7200 MILLER DR. WARREN, MI 48092 EE-CP.COM</p>	<p>NOTICE: THIS DRAWING IS PROPERTY OF E&amp;E CUSTOM PRODUCTS INCLUDING THE PRINCIPLES OF THE DESIGN INVOLVED, AND IS SUBMITTED WITH AGREEMENT THAT IT IS NOT TO BE REPRODUCED, COPIED, OR LOANED, IN PART OR WHOLE, ACCEPTANCE OF THIS DRAWING WILL BE CONSTRUED AS AN AGREEMENT TO THE ABOVE</p>		
	<p>TITLE FLOATING SHOT PIN</p>		
	<p>PART NO.</p>		
	<p>DRAWN BY: EE</p>	<p>CHK'D BY: EC</p>	<p>APPR'D BY: MH</p>
	<p>DATE: 8/14/2021</p>	<p>DATE: 10/17/2023</p>	<p>DATE: 10/17/2023</p>
<p>SCALE: 1/2</p>	<p>DWG. NO. FSP-TEMPLATE</p>		
<p>SHT 2 OF 2</p>			