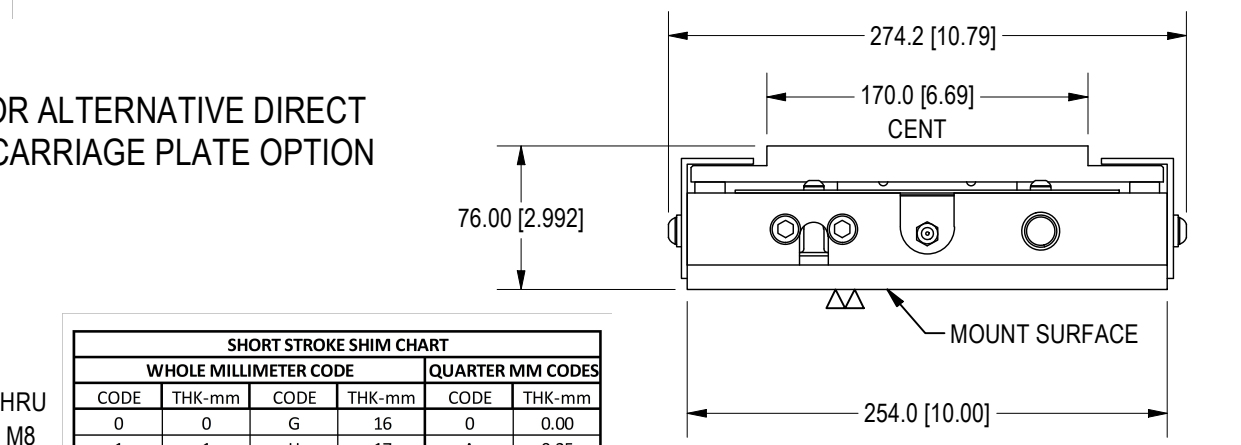


SYM	CHANGES	DATE	BY
<b>ORDERING INFORMATION</b>			
MS1			
<b>Stroke</b>	075, 135, 195, 255, 315, 375, 440, 495		
<b>Actuator</b>	NN Pneumatic - NPT Ports NG Pneumatic - G Ports LN Pneumatic Locking - NPT Ports LG Pneumatic Locking- G Ports		
<b>Port Position</b>	1 Port Position (Shown) 2 Port Position 3 Port Position 4 Port Position		
<b>Retract Shims - Whole mm</b>	0 See Shim Chart		
<b>Retract Shims - Quarter mm</b>	0 See Shim Chart		
<b>Carriage Plate</b>	A Alternative N NAAMS Compliant (Standard)		
<b>Cyl Switch</b>	0 None E Effector Weld Immune B Balluff T Turck S Sick (Standard) Weld Immune		
<b>Stops</b>	N Naams I Intelligent Stop		
<b>Extend Shims - Quarter mm</b>	0 See Shim Chart		
<b>Extend Shims - Whole mm</b>	0 See Shim Chart		

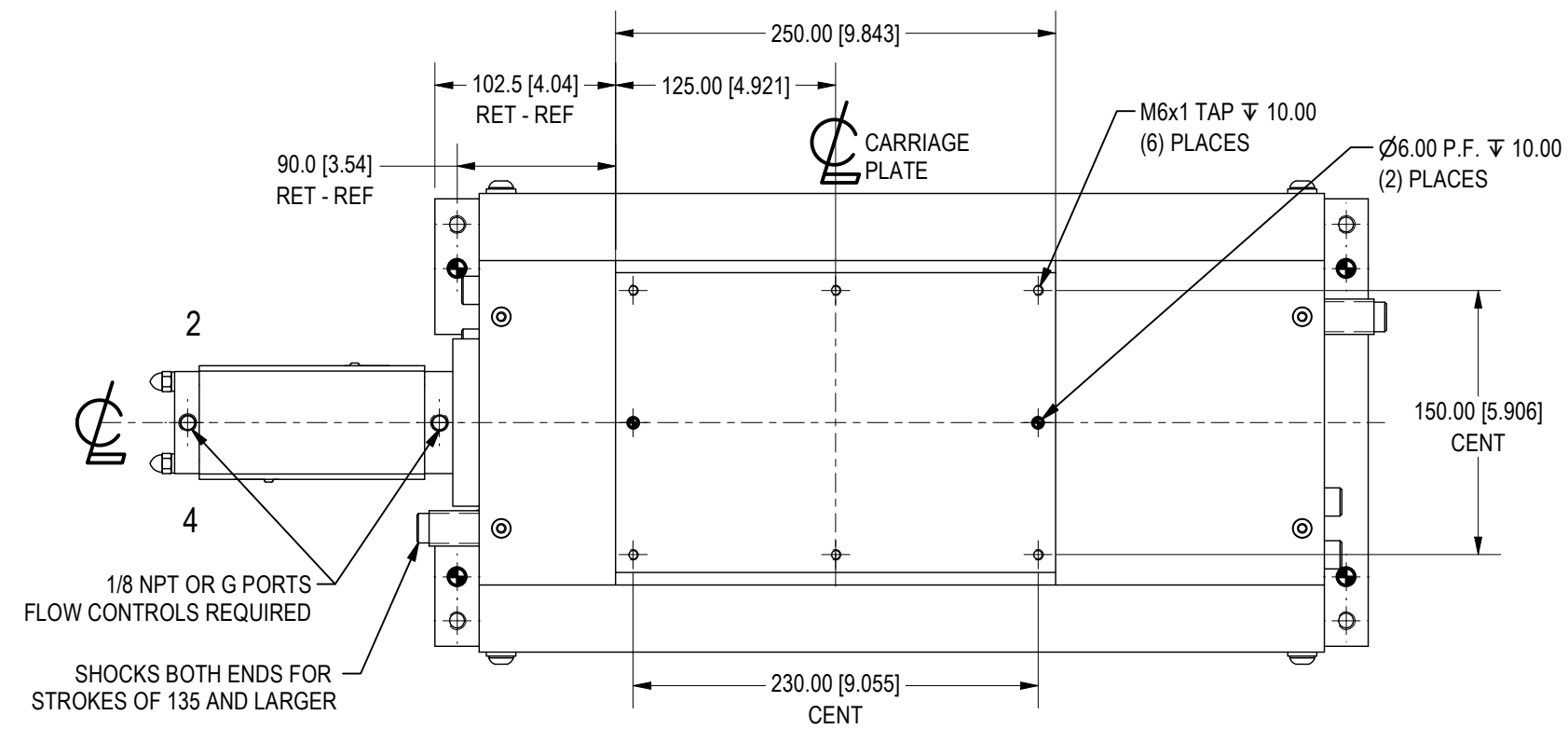


WHOLE MILLIMETER CODE				QUARTER MM CODES	
CODE	THK-mm	CODE	THK-mm	CODE	THK-mm
0	0	G	16	0	0.00
1	1	H	17	A	0.25
2	2	J	18	B	0.50
3	3	K	19	C	0.75
4	4	L	20		
5	5	M	21		
6	6	N	22		
7	7	P	23		
8	8	R	24		
9	9	S	25		
A	10	T	26		
B	11	U	27		
C	12	V	28		
D	13	W	29		
E	14	X	30		
F	15				

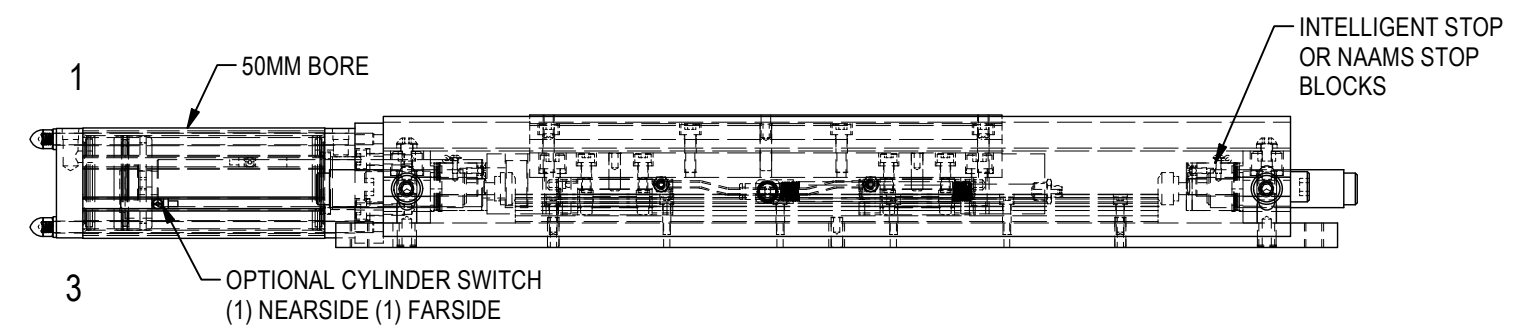
STROKE	075	135	195	255	315	375	435	495
STD PLATE	44lbs	47lbs	50lbs	53lbs	56lbs	59lbs	62lbs	65lbs
NAAMS PLATE	46lbs	49lbs	52lbs	55lbs	58lbs	61lbs	64lbs	67lbs

<b>E &amp; E</b> CUSTOM PRODUCTS	NOTICE: THIS DRAWING IS PROPERTY OF E&E CUSTOM PRODUCTS INCLUDING THE PRINCIPLES OF THE DESIGN INVOLVED, AND IS SUBMITTED WITH AGREEMENT THAT IT IS NOT TO BE REPRODUCED, COPIED, OR LOANED, IN PART OR WHOLE, ACCEPTANCE OF THIS DRAWING WILL BE CONSTRUED AS AN AGREEMENT TO THE ABOVE		
	TITLE: MINI SLIDE		
	PART NO.:		
	DRAWN BY:	CHK'D BY:	APPR'D BY:
7200 MILLER DR. WARREN, MI 48092 EE-CP.COM	DATE:	DATE:	DATE:
SCALE: 1/4	DWG. NO. MS1-TEMPLATE		
SHT 1 OF 2			

SYM	CHANGES	DATE	BY
-----	---------	------	----



ALTERNATIVE DIRECT REPLACEMENT CARRIAGE PLATE



ORDERING INFORMATION

**MS1** - [ ] [ ] [ ] [ ] [ ] [ ] [ ] [ ] [ ] [ ]

**Stroke** —————  
075, 135, 195, 255, 315, 375, 440, 495

**Actuator** —————  
 NN Pneumatic - NPT Ports  
 NG Pneumatic - G Ports  
 LN Pneumatic Locking - NPT Ports  
 LG Pneumatic Locking - G Ports

**Port Position** —————  
 1 Port Position (Shown)  
 2 Port Position  
 3 Port Position  
 4 Port Position

**Retract Shims - Whole mm** —————  
0 See Shim Chart

**Retract Shims - Quarter mm** —————  
0 See Shim Chart

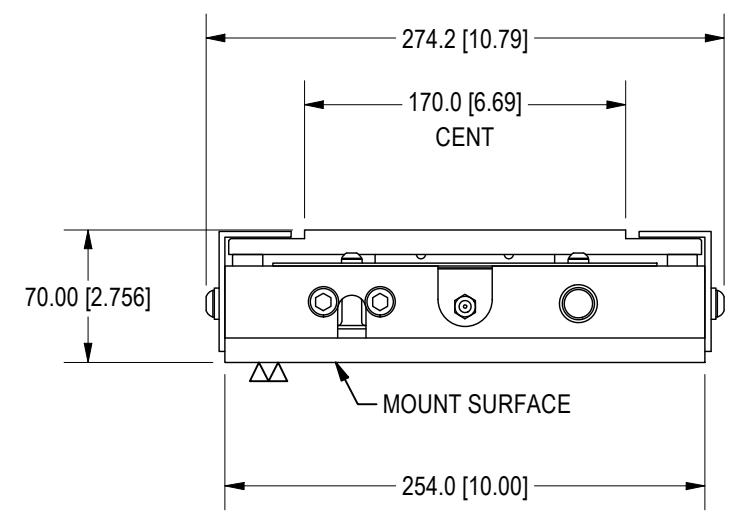
**Carriage Plate**  
 A Alternative  
 N NAAMS Compliant (Standard)

**Cyl Switch**  
 0 None  
 E Ejector Weld Immune  
 B Balluff  
 T Turck  
 S Sick (Standard) Weld Immune

**Stops**  
 N Naams  
 I Intelligent Stop

**Extend Shims - Quarter mm** —————  
0 See Shim Chart

**Extend Shims - Whole mm** —————  
0 See Shim Chart



	<small>NOTICE: THIS DRAWING IS PROPERTY OF E&amp;E CUSTOM PRODUCTS INCLUDING THE PRINCIPLES OF THE DESIGN INVOLVED, AND IS SUBMITTED WITH AGREEMENT THAT IT IS NOT TO BE REPRODUCED, COPIED, OR LOANED, IN PART OR WHOLE, ACCEPTANCE OF THIS DRAWING WILL BE CONSTRUED AS AN AGREEMENT TO THE ABOVE</small>		
	TITLE <b>MINI SLIDE</b>		
	PART NO.		
	DRAWN BY:	CHK'D BY:	APPR'D BY:
7200 MILLER DR. WARREN, MI 48092 EE-CP.COM	DATE:	DATE:	DATE:
SCALE: 1/4	DWG. NO. <b>MS1-TEMPLATE</b>		
SHT 2 OF 2			

250.0 lb MAX LOAD