

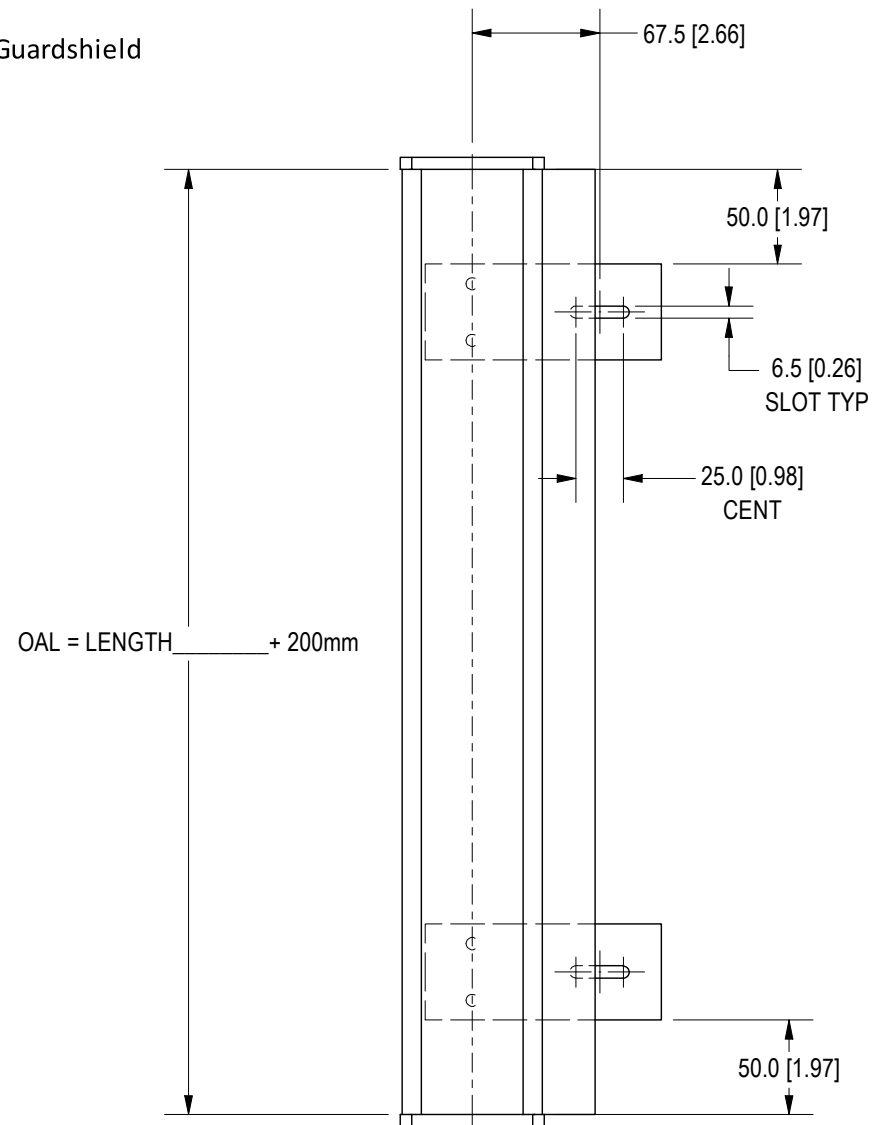
ORDERING INFORMATION

FMH - [] [] [] [] [] [] [] [] [] []

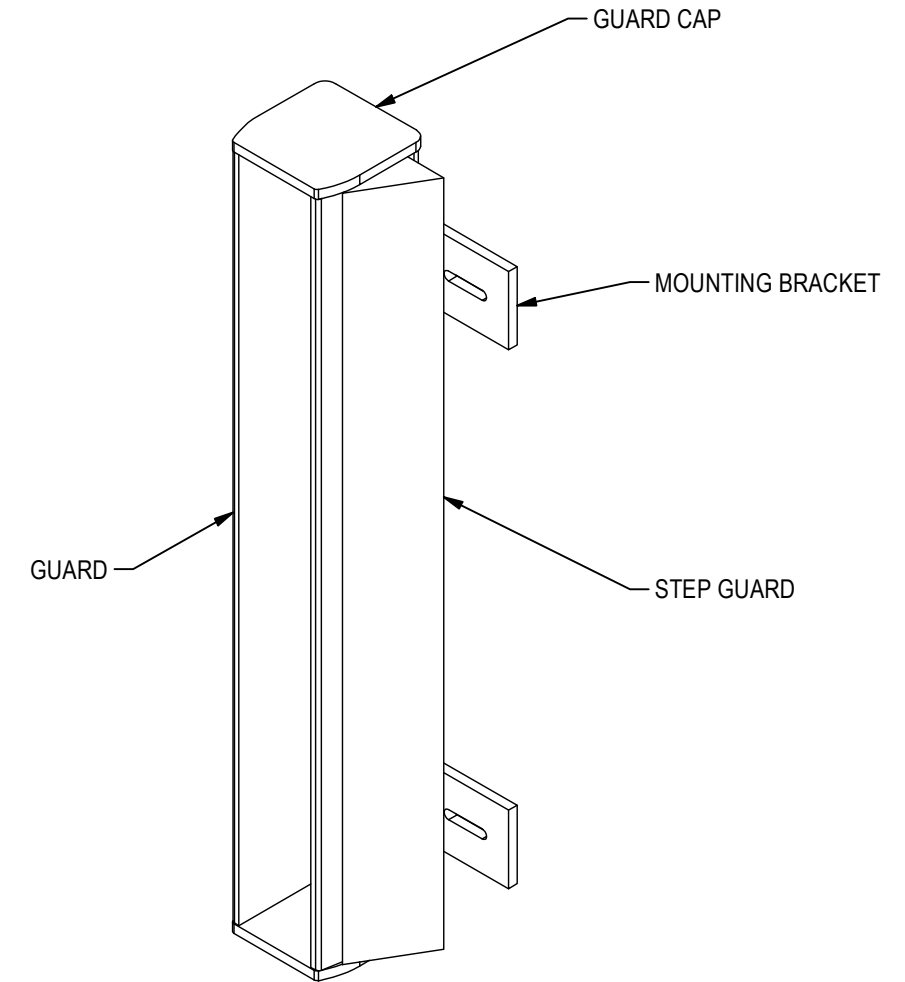
Length
 0300 = 300
 0300, 0600, 0900,
 1200, 1500, 1800

Style
 012 Sick deTec
 040 Banner Guardmaster Guardshield

INCLUDED IN ASSEMBLY:
 (1) GUARD
 (1) STEP GUARD
 (2) GUARD CAPS
 (2) MOUNTING BRACKETS



SYM	CHANGES	DATE	BY
-----	---------	------	----



<p>7200 MILLER DR. WARREN, MI 48092 EE-CP.COM</p>	NOTICE: THIS DRAWING IS PROPERTY OF E&E CUSTOM PRODUCTS INCLUDING THE PRINCIPLES OF THE DESIGN INVOLVED, AND IS SUBMITTED WITH AGREEMENT THAT IT IS NOT TO BE REPRODUCED, COPIED, OR LOANED, IN PART OR WHOLE, ACCEPTANCE OF THIS DRAWING WILL BE CONSTRUED AS AN AGREEMENT TO THE ABOVE		
	TITLE: FENCE MOUNT LIGHT SCREEN GUARD		
	PART NO.:		
	DRAWN BY: DATE:	CHK'D BY: DATE:	APPR'D BY: DATE:
SCALE: 1/4 SHT 1 OF 1	DWG. NO. FMH-LENGTH-040 TEMPLATE		