

SYM	CHANGES	DATE	BY
-----	---------	------	----

ORDERING INFORMATION

CP071 - [] [] [] [] [] [] [] [] [] []

TOP COLLAR I.D. DIA

- 190 = 19.0mm
- 254 = 25.4mm
- 318 = 31.8mm
- 381 = 38.1mm
- 444 = 44.4mm
- 508 = 50.8mm

BOTTOM COLLAR I.D. DIA

- 190 = 19.0mm
- 254 = 25.4mm
- 318 = 31.8mm
- 381 = 38.1mm
- 444 = 44.4mm
- 508 = 50.8mm

ORIENTATION

- 00 = Dia Parallel
- 90 = Dia Perpendicular
- XX = Customer degree specified

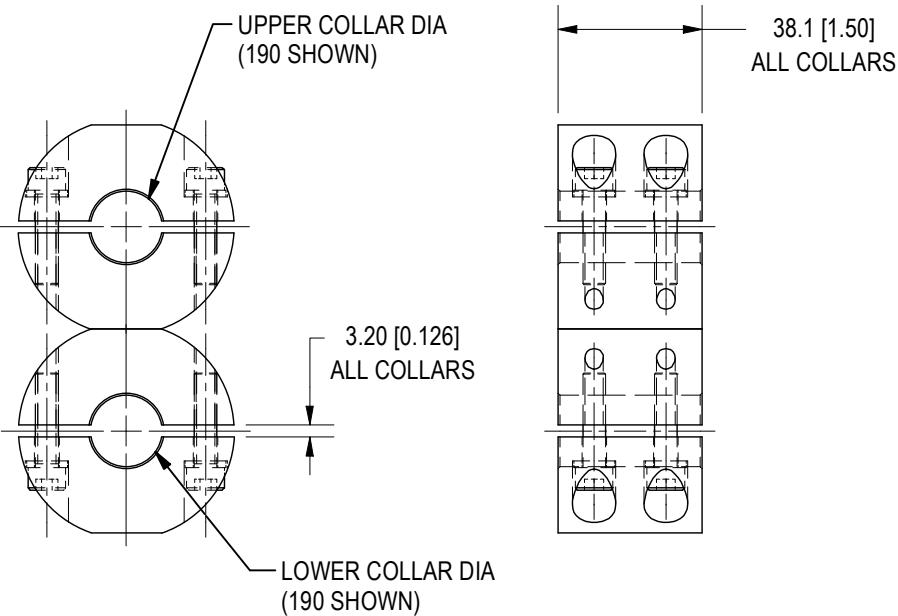
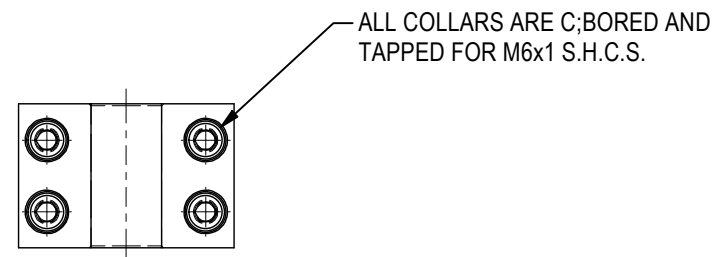
MATERIAL = STEEL

- N = No Finish
- B = Black Oxide / Black Anodize
- O = Safety Orange
- ZC = Clear Zinc

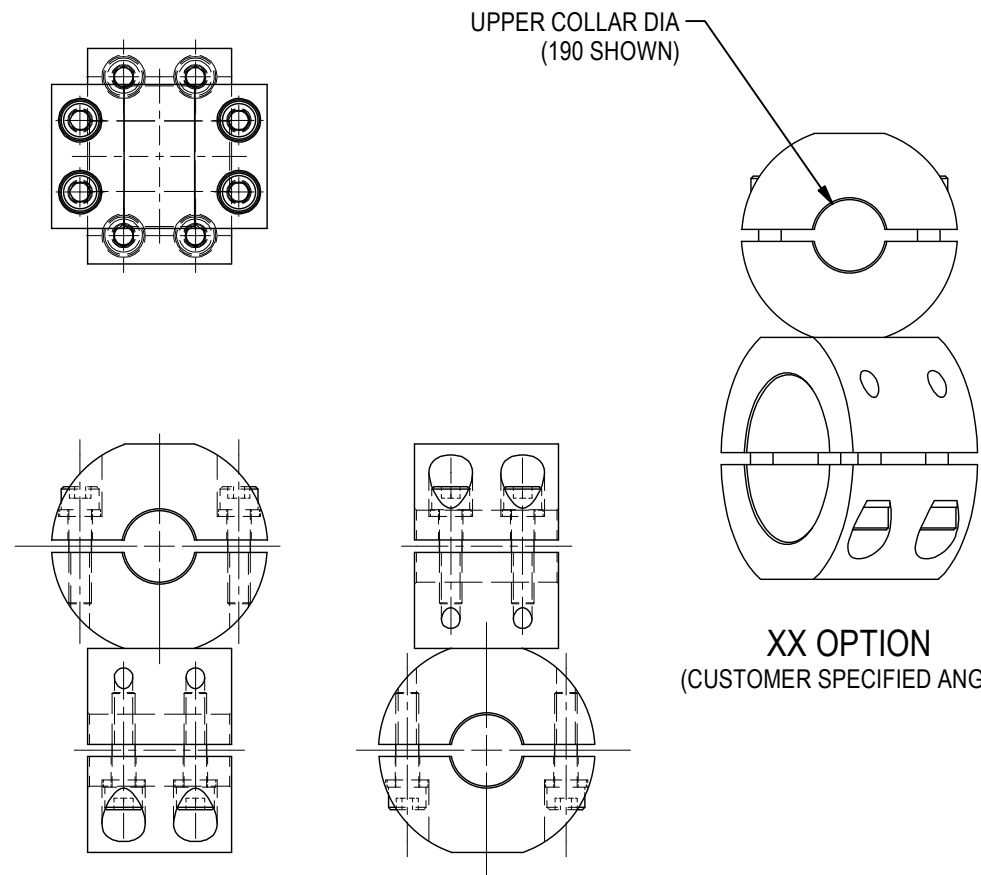
NOTE

TAPPED COLLARS ARE WELDED TOGETHER
ANY COMBINATION IS ALLOWED BETWEEN
UPPER AND LOWER COLLARS

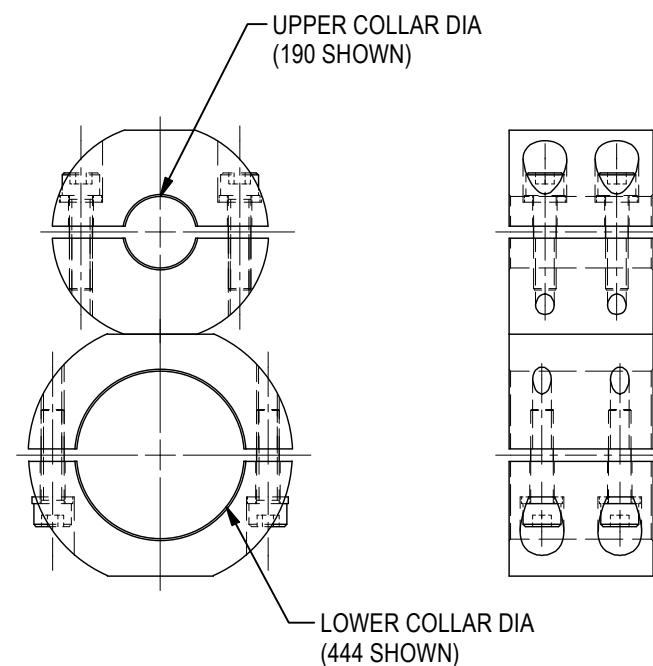
APPROX WEIGHTS RANGE FROM
2.5lbs TO 3.5lbs



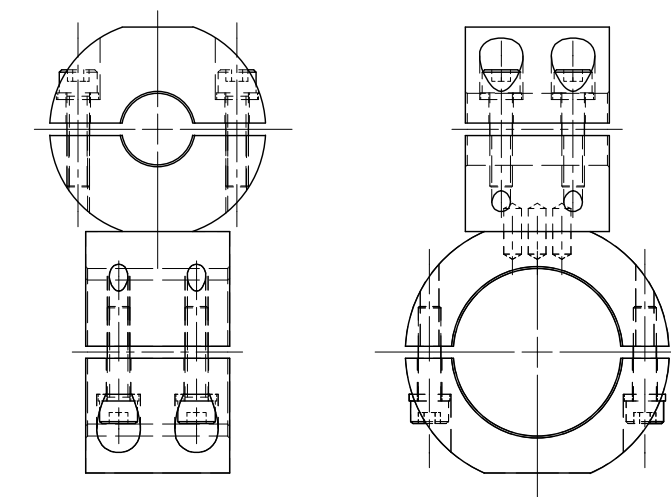
00 ORIENTATION SHOWN



90 ORIENTATION SHOWN



00 ORIENTATION SHOWN



90 ORIENTATION SHOWN

 7200 MILLER DR. WARREN, MI 48092 EE-CP.COM	NOTICE: THIS DRAWING IS PROPERTY OF E&E CUSTOM PRODUCTS INCLUDING THE PRINCIPLES OF THE DESIGN INVOLVED, AND IS SUBMITTED WITH AGREEMENT THAT IT IS NOT TO BE REPRODUCED, COPIED, OR LOANED, IN PART OR WHOLE, ACCEPTANCE OF THIS DRAWING WILL BE CONSTRUED AS AN AGREEMENT TO THE ABOVE		
	TITLE CLAMP COLLAR ASSEMBLY		
	PART NO.		
	DRAWN BY: EE DATE: 3/25/2021	CHK'D BY: EC DATE: 1/29/2024	APPR'D BY: MH DATE: 1/29/2024
SCALE: 1/2 SHT 1 OF 1		DWG. NO. CP071-Template	