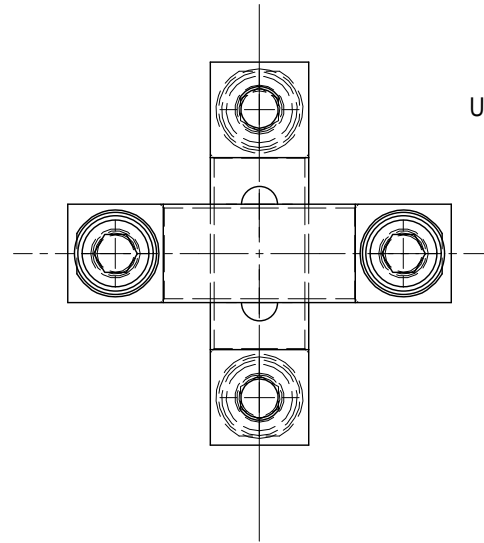
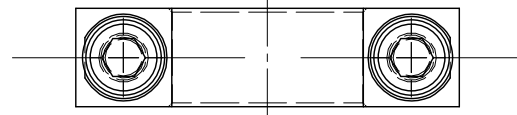


SYM

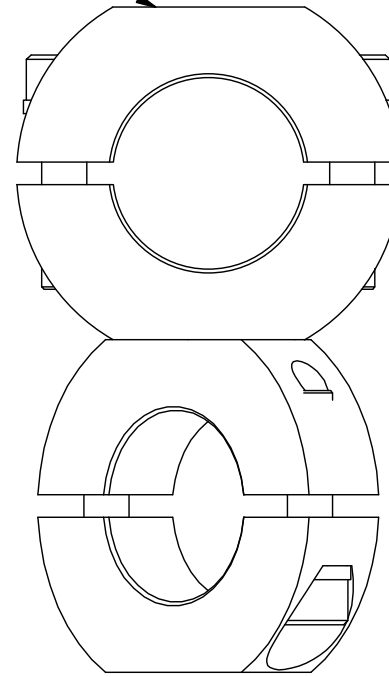
CHANGES

DATE

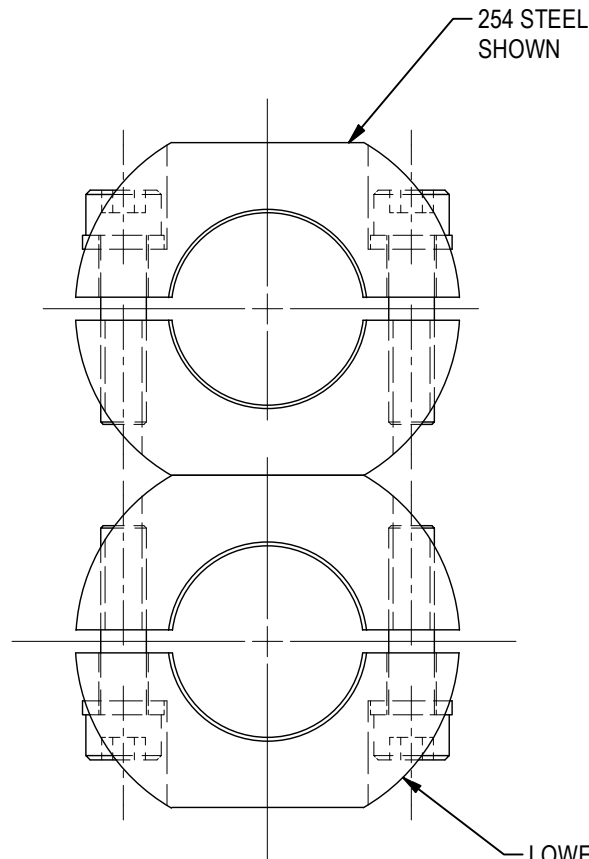
BY



UPPER COLLAR DIA
(254 SHOWN)

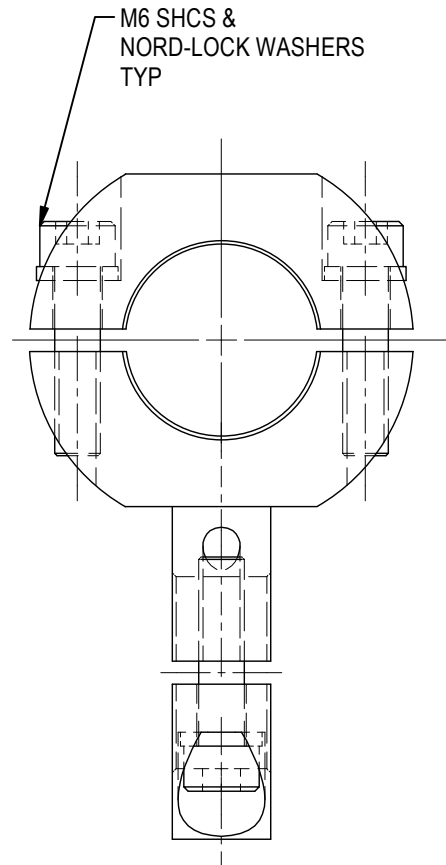


XX OPTION
(CUSTOMER SPECIFY ANGLE)



254 STEEL
SHOWN

LOWER COLLAR DIA
254 STEEL SHOWN



M6 SHCS &
NORD-LOCK WASHERS
TYP

ORDERING INFORMATION

CP081 - [] [] [] [] [] []

TOP COLLAR I.D. DIA
254 = 25.4mm (STEEL)
318 = 31.8mm (ALUMINUM)

BOTTOM COLLAR I.D. DIA
254 = 25.4mm (STEEL)
318 = 31.8mm (ALUMINUM)

ORIENTATION
00 = Dia Parallel
90 = Dia Perpendicular
XX = Customer degree specified

FINISH
N = No Finish
B = Black Oxide / Black Anodize
O = Safety Orange

MATERIAL
A = Aluminum
S = Steel

***ADDITIONAL COLLAR ID'S OR MATERIAL
UPON REQUEST**

APPROX WEIGHTS RANGE FROM
.5lbs TO 1.0lbs

00 ORIENTATION SHOWN

90 ORIENTATION SHOWN

| | | | |
|--|--|-----------------|---------------|
| 7200 MILLER DR. WARREN, MI 48092 EE-CP.COM | NOTICE: THIS DRAWING IS PROPERTY OF E&E CUSTOM PRODUCTS INCLUDING THE PRINCIPLES OF THE DESIGN INVOLVED, AND IS SUBMITTED WITH AGREEMENT THAT IT IS NOT TO BE REPRODUCED, COPIED, OR LOANED, IN PART OR WHOLE, ACCEPTANCE OF THIS DRAWING WILL BE CONSTRUED AS AN AGREEMENT TO THE ABOVE | | |
| | TITLE CLAMP COLLAR ASSEMBLY | | |
| | PART NO. | | |
| | DRAWN BY: EE | CHK'D BY: EC | APPR'D BY: TT |
| DATE: 11/30/2023 | DATE: 12/7/2023 | DATE: 12/7/2023 | |
| SCALE: 1:1 | DWG. NO. CP081-Template | | |
| SHT 1 OF 1 | | | |