

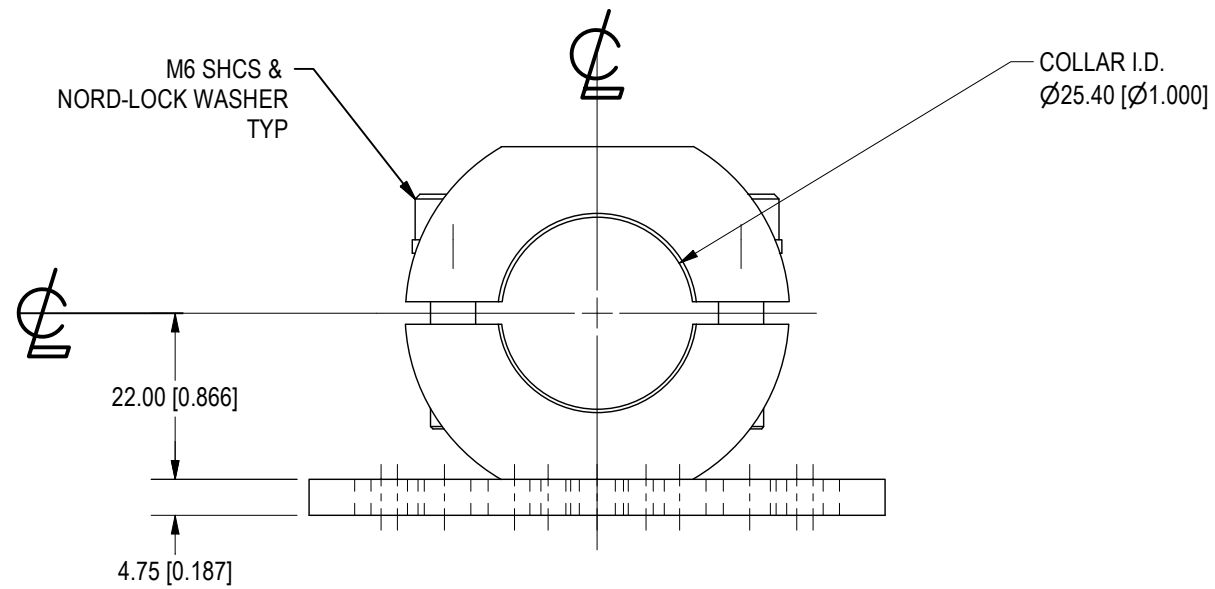
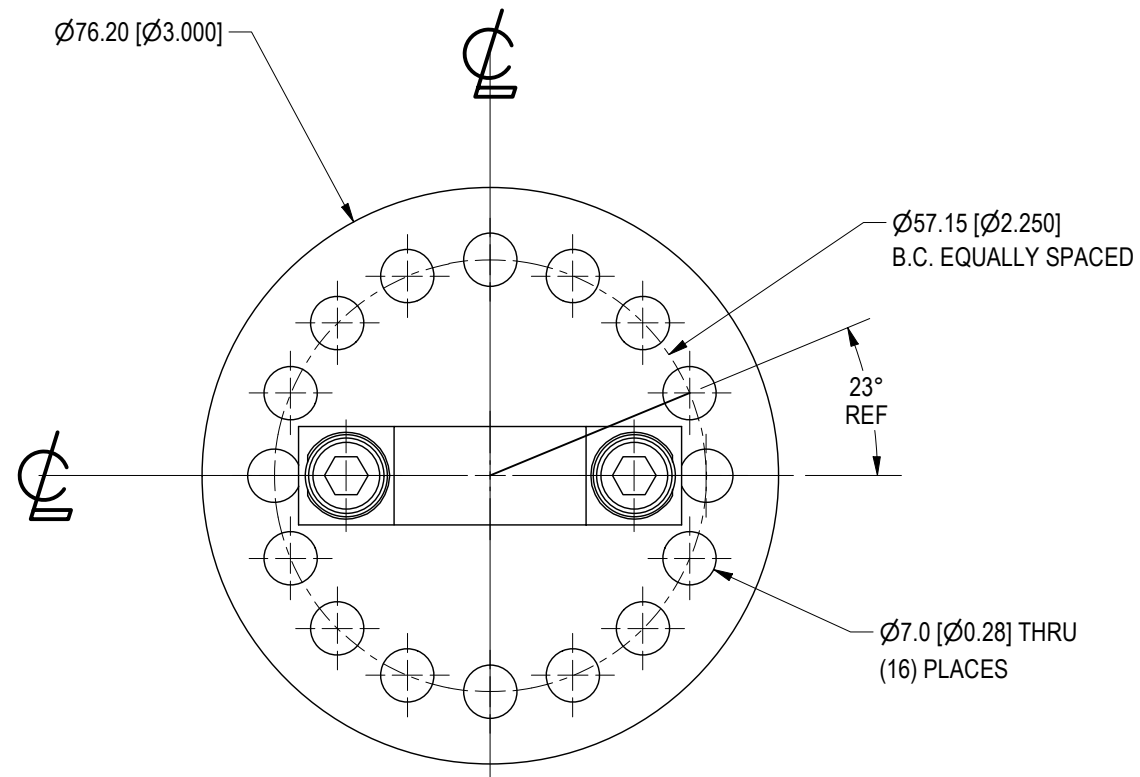
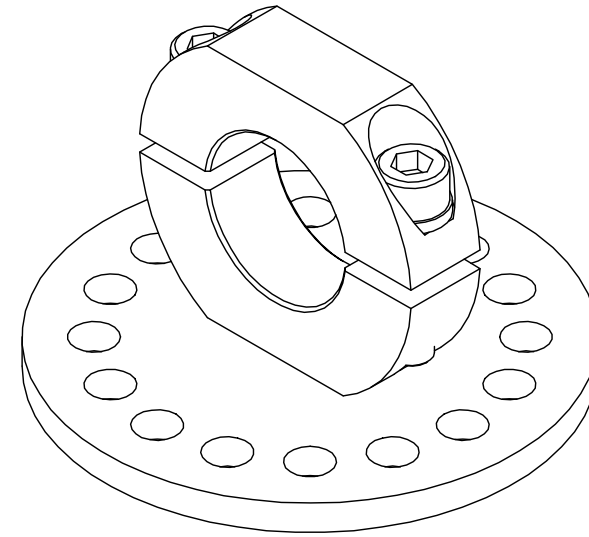
ORDERING INFORMATION

MHA - 2 5 4 S

COLLAR I.D. DIA
254 = 25.4mm

MATERIAL
S = STEEL

FINISH
N = No Finish
B = Black Oxide
O = Safety Orange



 7200 MILLER DR. WARREN, MI 48092 EE-CP.COM	NOTICE: THIS DRAWING IS PROPERTY OF E&E CUSTOM PRODUCTS INCLUDING THE PRINCIPLES OF THE DESIGN INVOLVED, AND IS SUBMITTED WITH AGREEMENT THAT IT IS NOT TO BE REPRODUCED, COPIED, OR LOANED, IN PART OR WHOLE, ACCEPTANCE OF THIS DRAWING WILL BE CONSTRUED AS AN AGREEMENT TO THE ABOVE		
	TITLE MIGHTY HANDLE ATTCHMENT		
	PART NO.		
	DRAWN BY: EE	CHK'D BY: EC	APPR'D BY: TT
	DATE: 12/4/2023	DATE: 12/7/2023	DATE: 12/7/2023
SCALE: 1:1	DWG. NO. MHA-TEMPLATE		
SHT 1 OF 1			