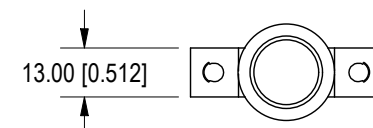
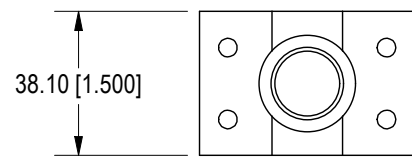


SYM

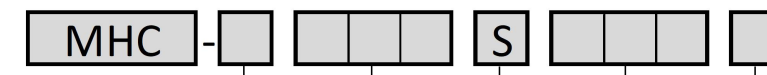
CHANGES

DATE

BY



ORDERING INFORMATION



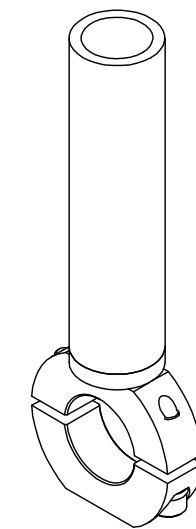
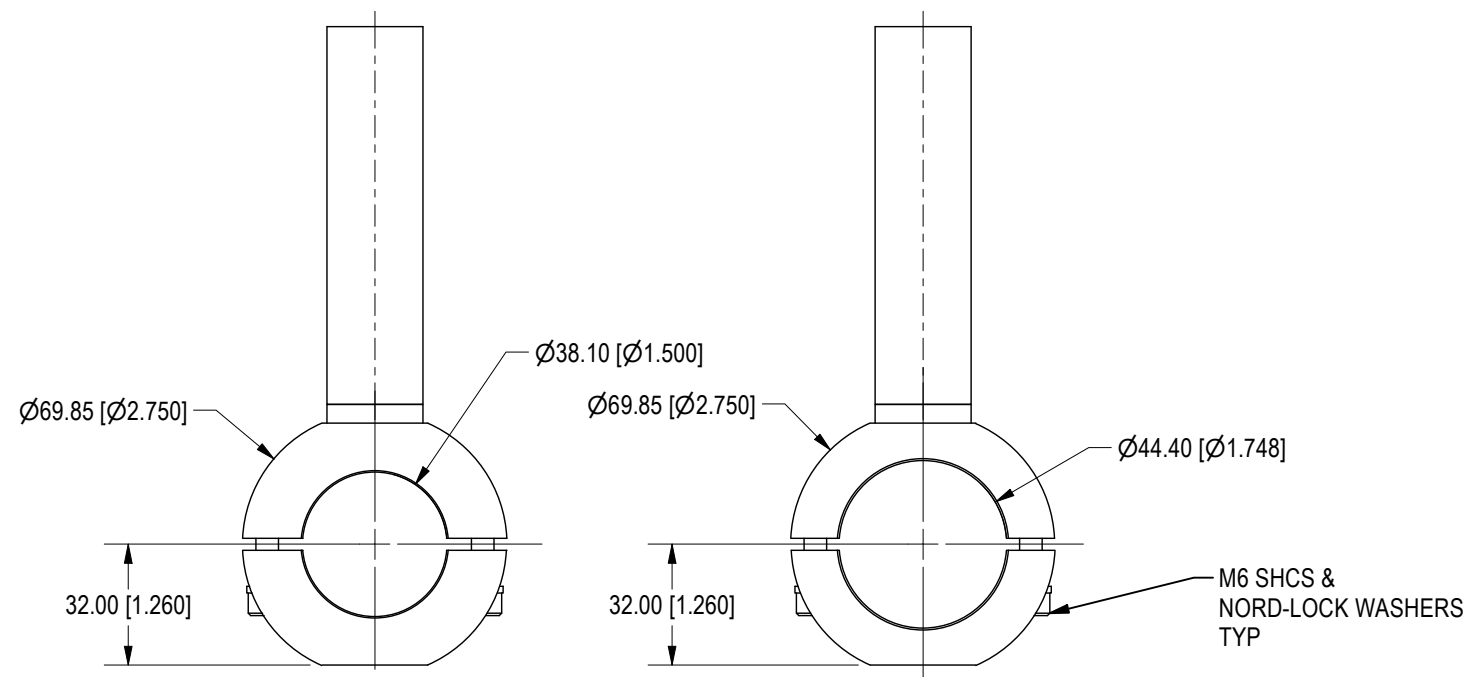
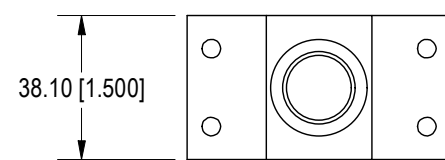
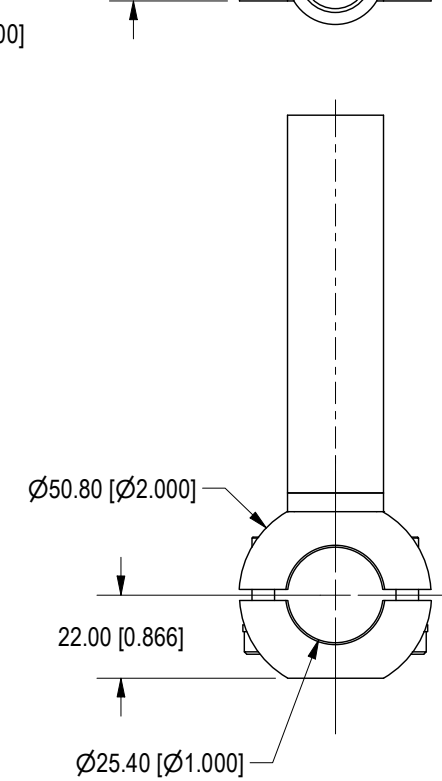
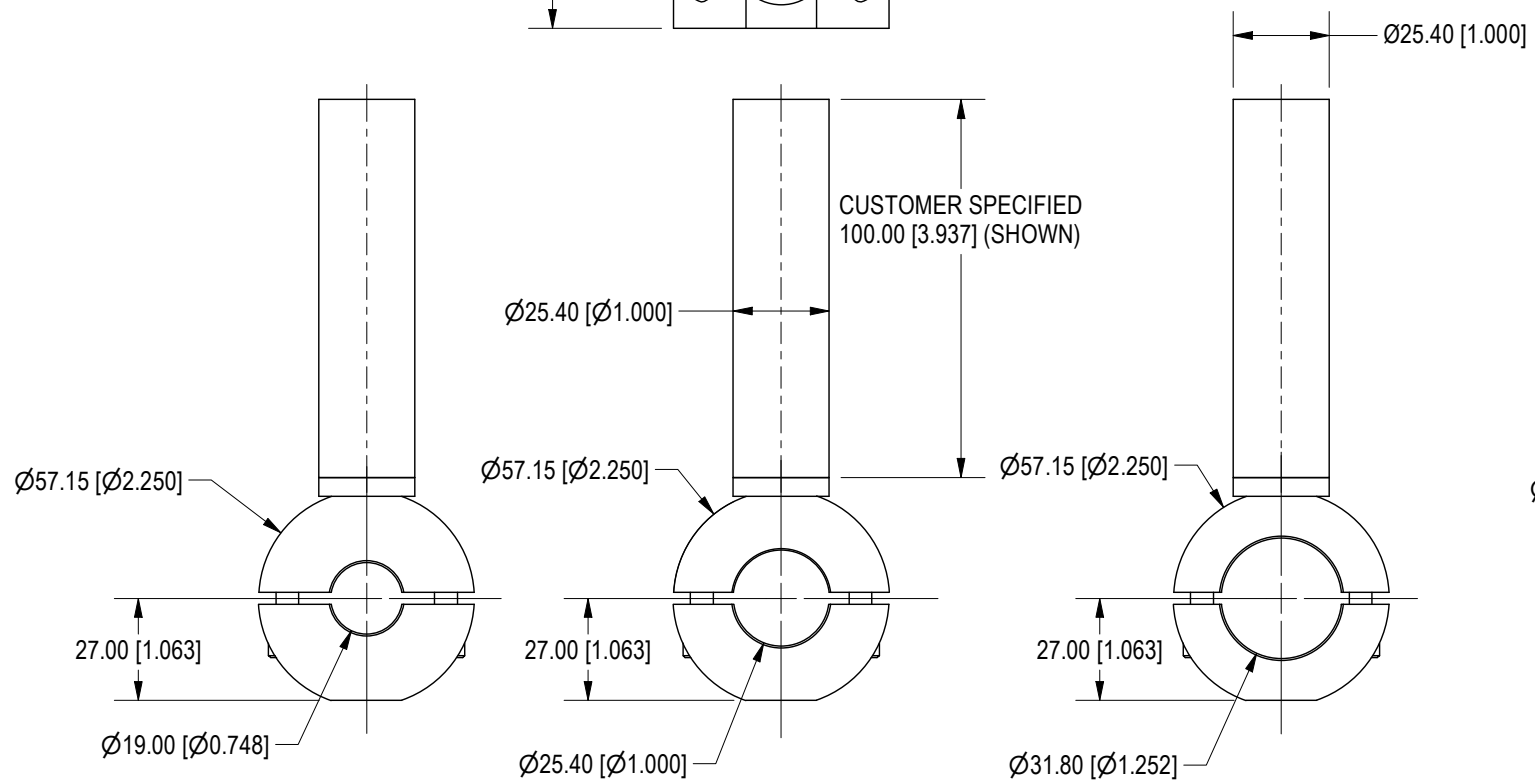
COLLAR TYPE
 S=Single (STOCK =254)
 D=Double

COLLAR I.D. DIA
 190 = 19.0mm
 254 = 25.4mm
 318 = 31.8mm
 444 = 44.4mm
 508 = 50.8mm

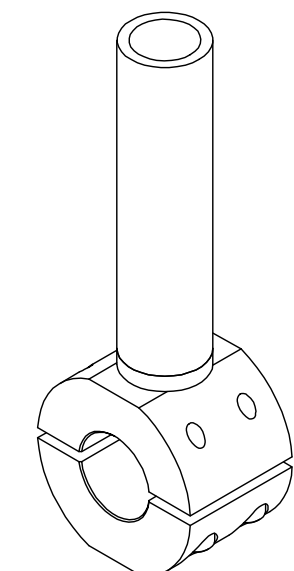
MATERIAL
 S = STEEL

HANDLE LENGTH
 025mm TO 300mm

FINISH
 N = No Finish
 B = Black Oxide
 O = Safety Orange
 ZC = Clear Zinc



SINGLE COLLAR (STOCK = 254)



DOUBLE COLLAR

	<small>NOTICE: THIS DRAWING IS PROPERTY OF E&E CUSTOM PRODUCTS INCLUDING THE PRINCIPLES OF THE DESIGN INVOLVED, AND IS SUBMITTED WITH AGREEMENT THAT IT IS NOT TO BE REPRODUCED, COPIED, OR LOANED, IN PART OR WHOLE, ACCEPTANCE OF THIS DRAWING WILL BE CONSTRUED AS AN AGREEMENT TO THE ABOVE</small>		
	TITLE MIGHTY HANDLE STEEL		
	PART NO.		
	DRAWN BY: EE	CHK'D BY: EC	APPR'D BY: TT
	DATE: 12/5/2023	DATE: 1/29/2024	DATE: 1/29/2024
7200 MILLER DR. WARREN, MI 48092 EE-CP.COM	SCALE: 1/2	DWG. NO. MHC-TEMPLAT	
SHT 1 OF 1			