

SYM	CHANGES	DATE	BY
-----	---------	------	----

**ORDERING INFORMATION**

MHR - [ ] [ ] [ ] S [ ]

**CENTER DIA**

- 190 = 19.0mm
- 254 = 25.4mm
- 318 = 31.8mm
- 381 = 38.1mm
- 444 = 44.4mm
- 508 = 50.8mm

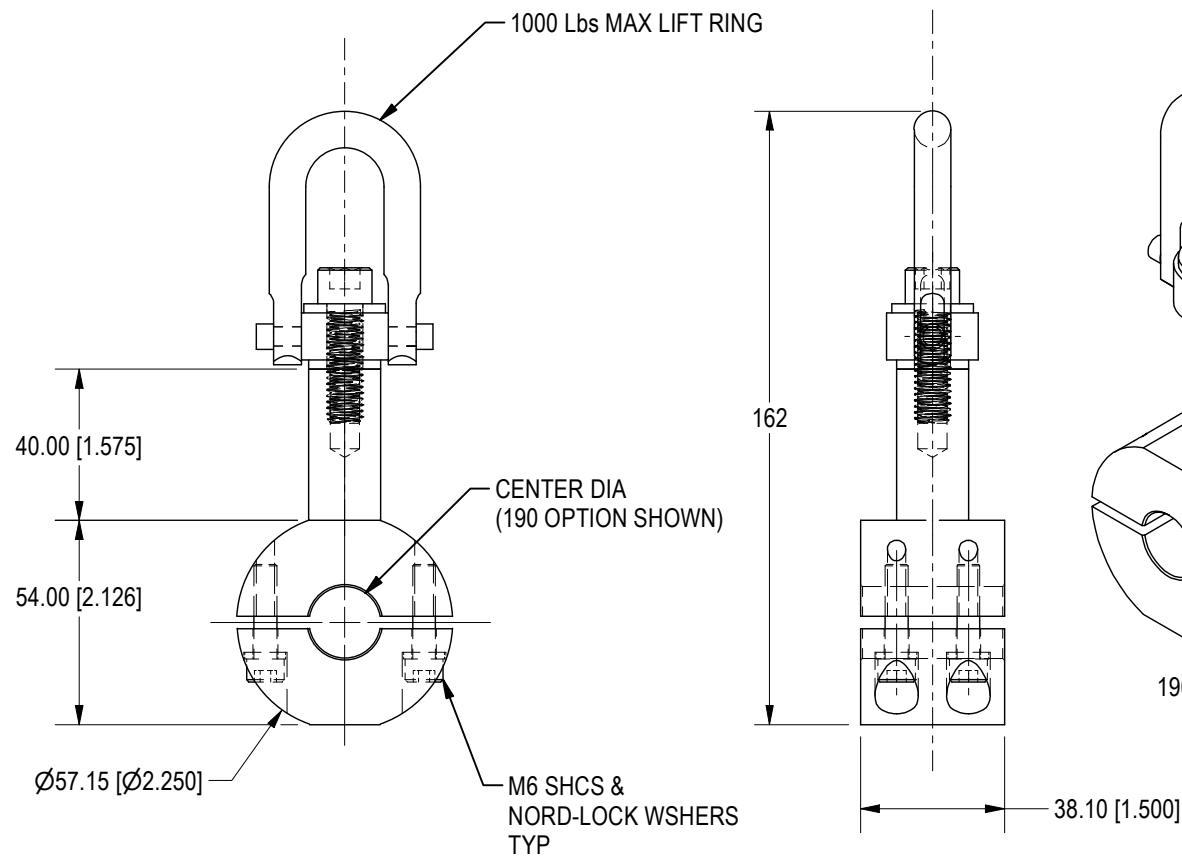
**MATERIAL**

S=Steel

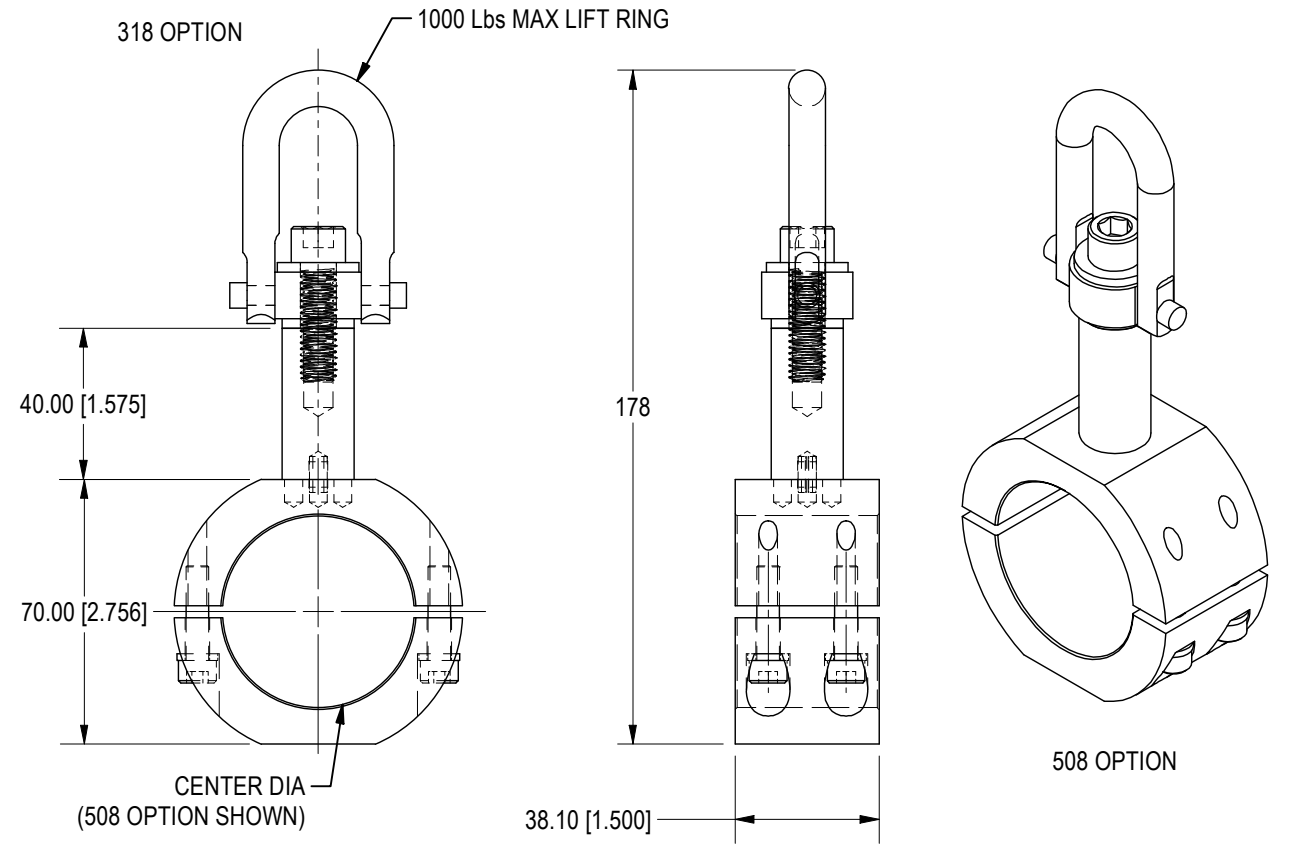
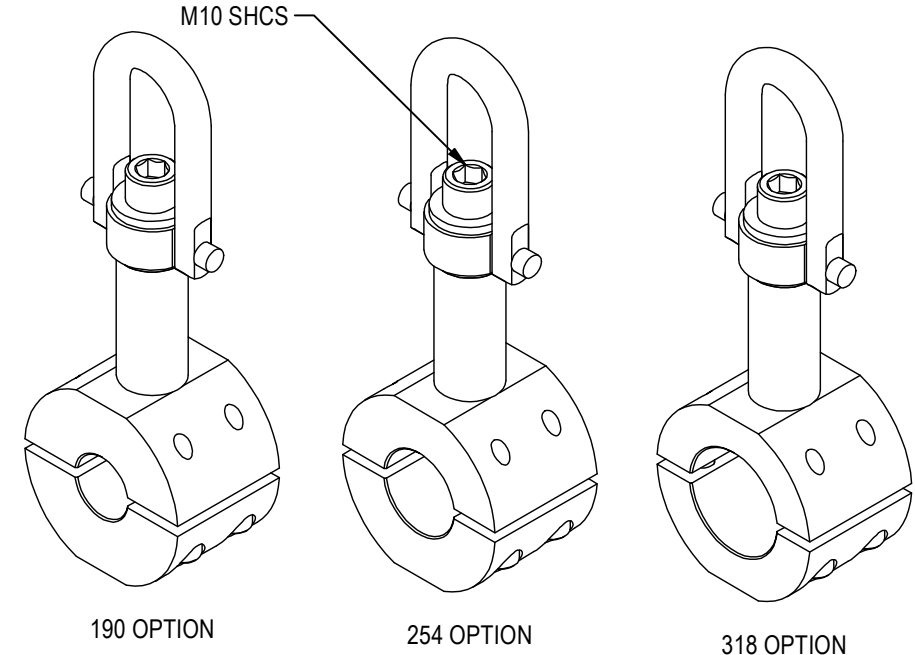
**FINISH**

- N - No Finish
- B = Black Oxide
- O = Safety Orange

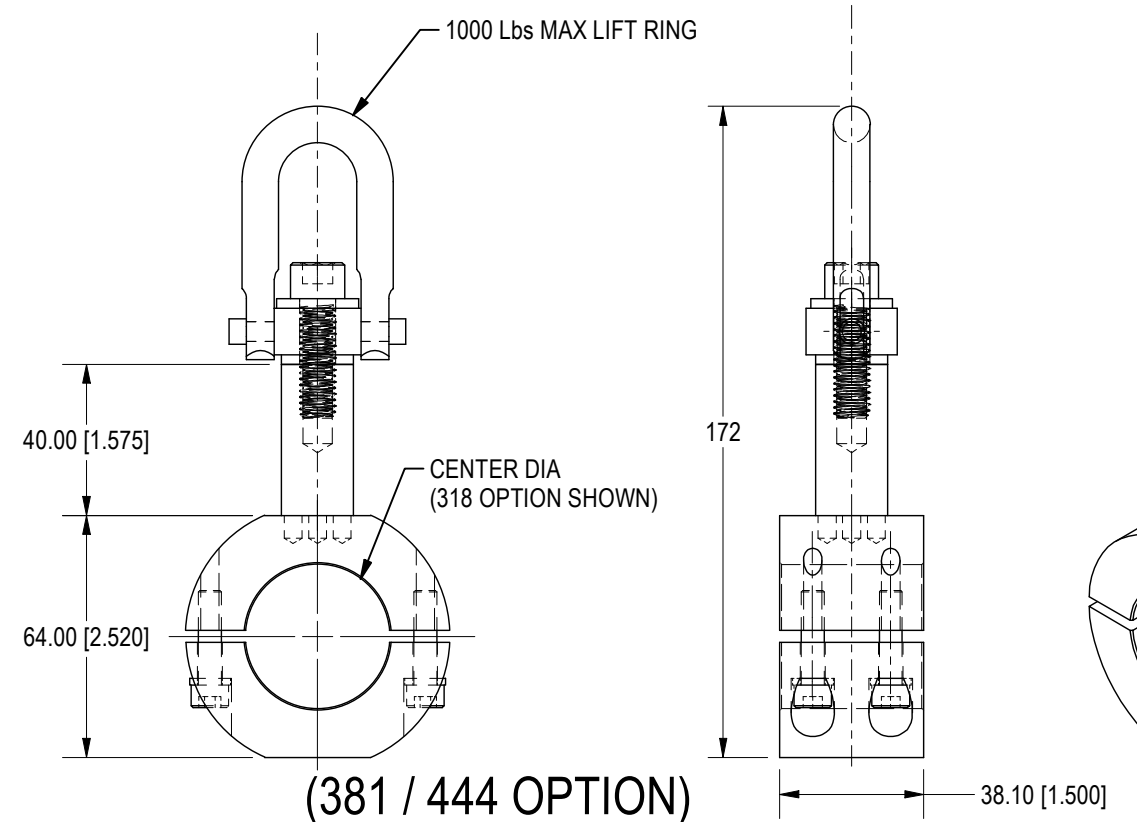
\*ZINC PLATING FACTORY FINISH



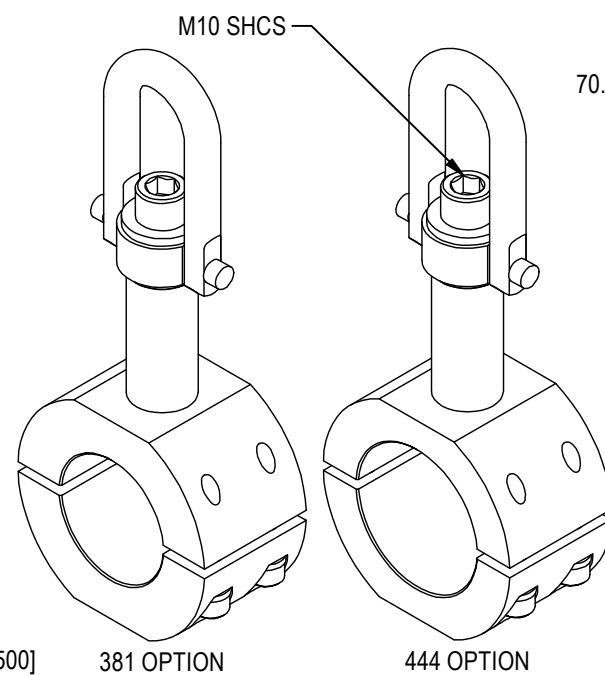
(190 / 254 / 318 OPTION)



(508 OPTION)



(381 / 444 OPTION)



<p>7200 MILLER DR. WARREN, MI 48092 EE-CP.COM</p>	<p>NOTICE: THIS DRAWING IS PROPERTY OF E&amp;E CUSTOM PRODUCTS INCLUDING THE PRINCIPLES OF THE DESIGN INVOLVED, AND IS SUBMITTED WITH AGREEMENT THAT IT IS NOT TO BE REPRODUCED, COPIED, OR LOANED, IN PART OR WHOLE, ACCEPTANCE OF THIS DRAWING WILL BE CONSTRUED AS AN AGREEMENT TO THE ABOVE</p>		
	<p>TITLE MIGHTY HOIST RING</p>		
	<p>PART NO.</p>		
	<p>DRAWN BY: EE</p>	<p>CHK'D BY: EC</p>	<p>APPR'D BY: TT</p>
	<p>DATE: 12/4/2023</p>	<p>DATE: 1/29/2024</p>	<p>DATE: 1/29/2024</p>
<p>SCALE: 1/2</p>	<p>DWG. NO. MHR-TEMPLATE</p>		
<p>SHT 1 OF 1</p>			