

ORDERING INFORMATION

Stroke 025, 050, 075, 100, 125, 150, 175, 200mm	RAP 0 None R Rap (Reduces Stroke by 2mm)
Actuator N Pneumatic - NPT Ports G Pneumatic - G Ports	Switch Position E S01 Ext Pos R S01 Ret Pos
Ram Dowels D06, D08, D10 (Dowels are Nominal)	Switch Type C Cylinder Switch W World Switch
Ram Holes C09, C11 Clearance holes M08, M10 Tapped Holes	Detent (Non Rap Only- Up to 150mm) 0 None D Detent
Shield 0 None S Safety Orange (Standard) B Black	Port Position 1 Port Position (Shown) 2 Port Position 3 Port Position 4 Port Position
Switch E Efector Weld Immune B Balluff S Sick (Cylinder Switch Only) (Standard) Weld immune T Turck P Pepperl & Fuchs (World Switch Only)	

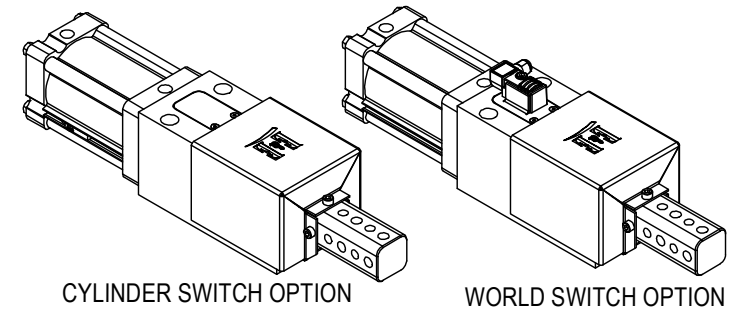
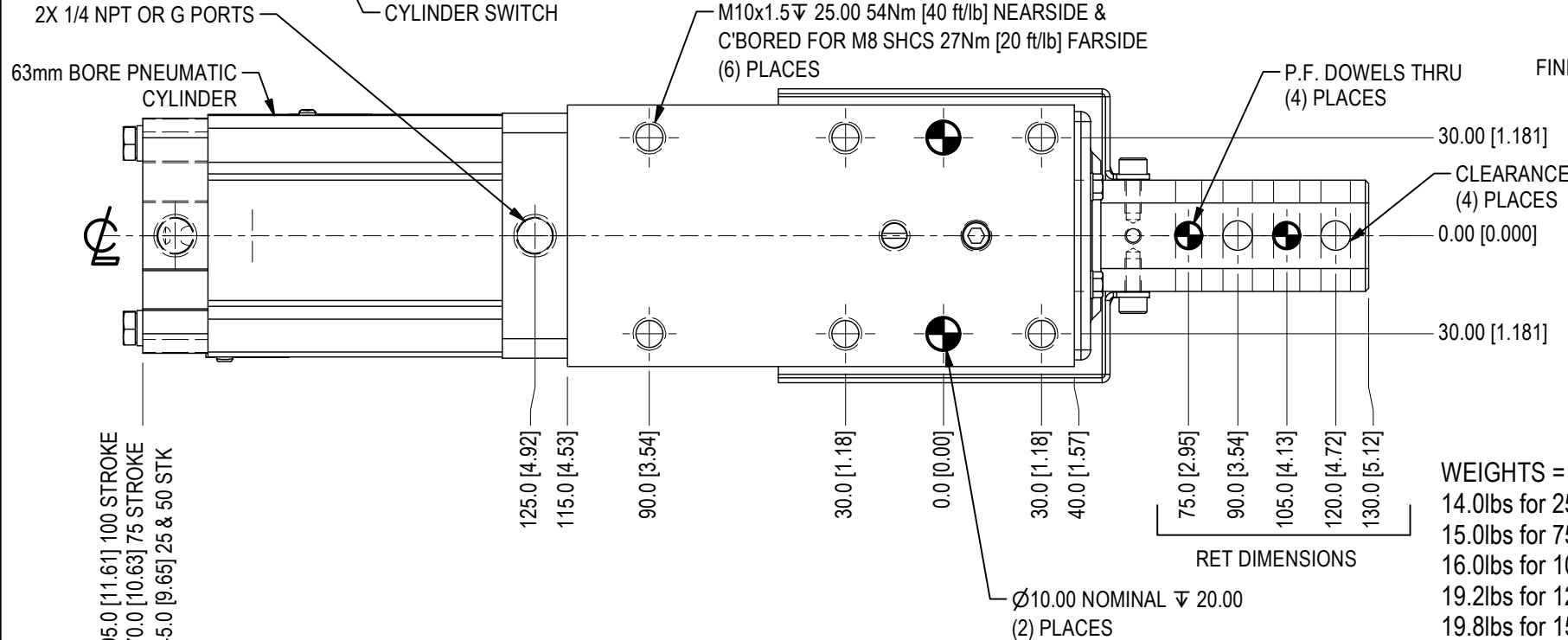
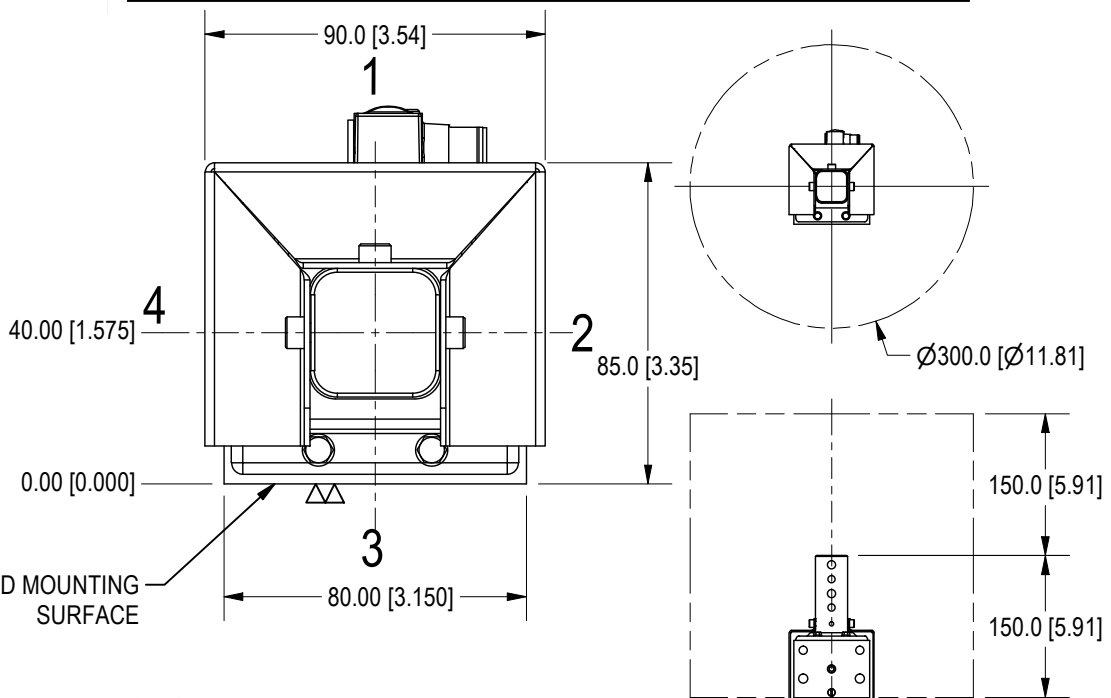
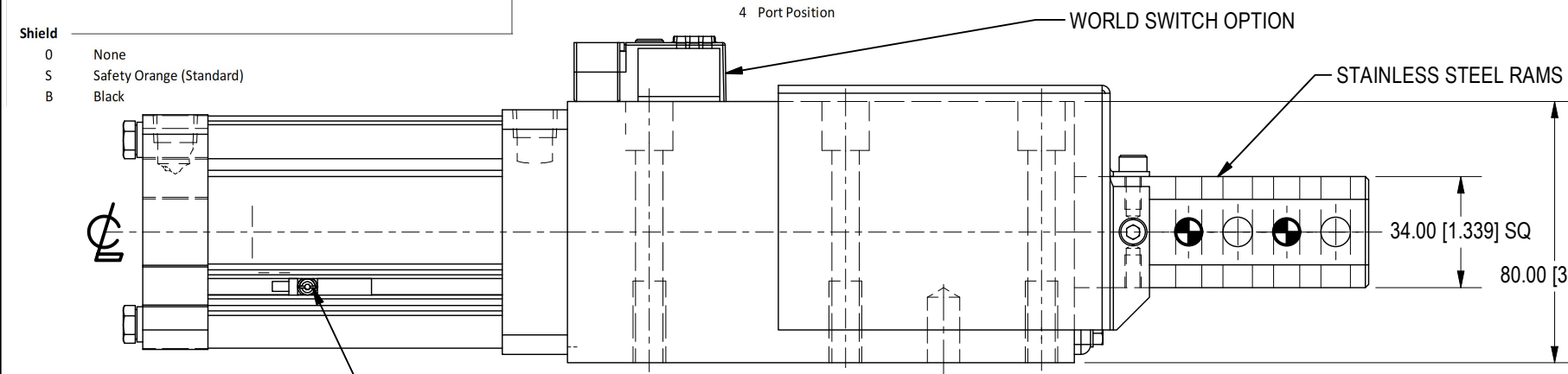
NOTE: Detent option is intended to hold ram in extended position due to loss of air pressure. Detent is not designed to hold GEO location. Tooling weight is not to exceed 25lbs [10kg] vertical

(1) ASP430 SPACER WILL BE PROVIDED FOR INTERCHANGEABILITY
 *STROKES 100mm & OVER ARE ONLY AVAILABLE WITH A CYLINDER SWITCH
 SEE SHEET 2 FOR 125 & 200 STROKE DIMENSIONS & SPARE PARTS / MAINTENANCE KITS

SYM	CHANGES	DATE	BY
-----	---------	------	----

RAM HOLE ORDERING CHART

RAM STYLE	Dowels	HOLES	STANDARD
D06, C09	6.00mm THRU	9.0 THRU	** FCA
D06, M08	6.00mm THRU	M8 TAP THRU	
D08, C09	8.00mm THRU	9.0 THRU	** GM
D08, M08	8.00mm THRU	M8 TAP THRU	
D08, C11	8.00mm THRU	11.0 THRU	** FORD
D08, M10	8.00mm THRU	M10 TAP THRU	
D10, C11	10.00mm THRU	11.0 THRU	
D10, M10	10.00mm THRU	M10 TAP THRU	



APPLICATION WINDOW
 TOOLING MUST BE WITHIN THE APPROVED APPLICATION WINDOW FROM END OF RAM

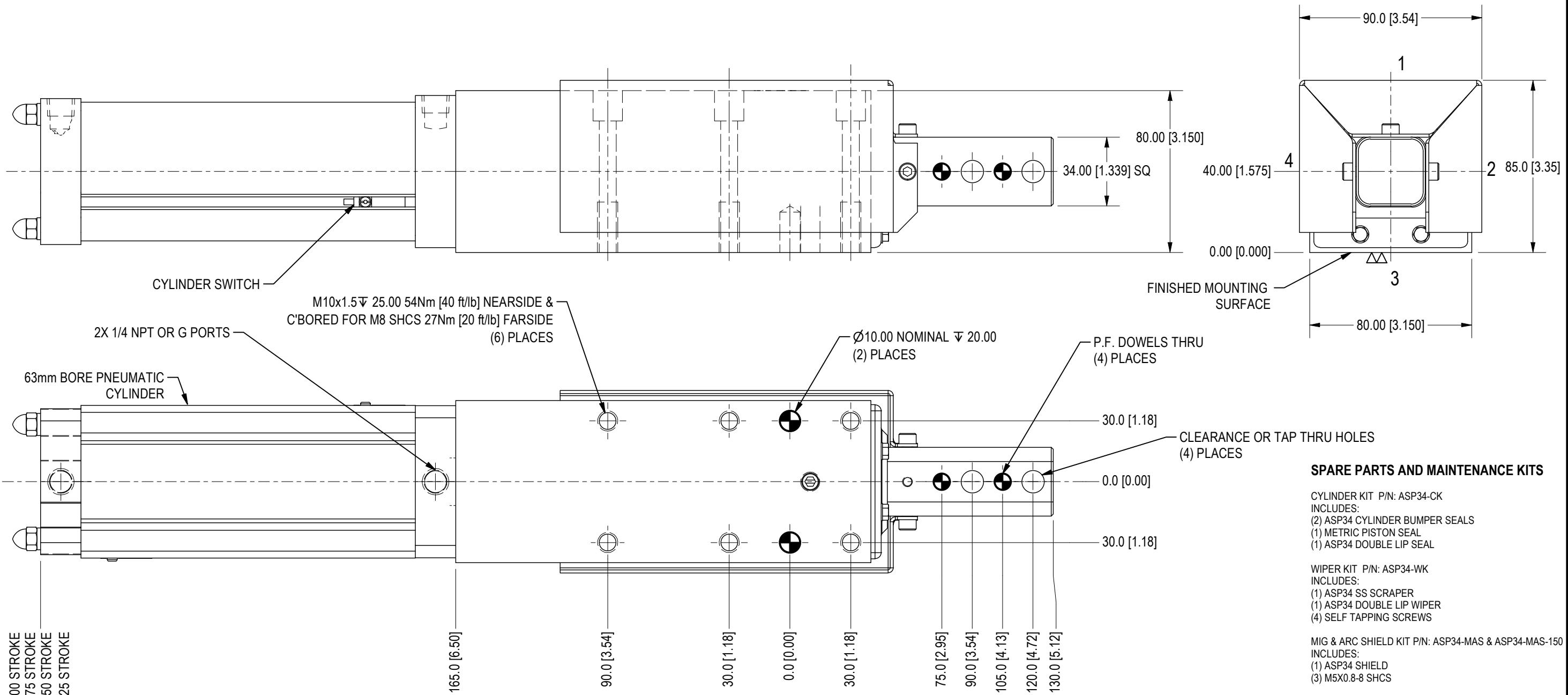
WEIGHTS =
 14.0lbs for 25mm & 50mm Strokes
 15.0lbs for 75mm Stroke
 16.0lbs for 100mm Stroke
 19.2lbs for 125mm Stroke
 19.8lbs for 150mm Stroke
 20.4lbs for 175mm Stroke
 21.0lbs for 200mm Stroke

295.0 [11.61] 100 STROKE
 270.0 [10.63] 75 STROKE
 245.0 [9.65] 25 & 50 STK

25mm STROKE USES REMOVABLE CYLINDER STOP TUBE
 OPERATING PRESSURE - MIN 60psi = 289lbf [131.0kgf] EXT FORCE - 266lbf [120.6kgf] RETRACT FORCE
 MAX 120psi = 579lbf [262.5kgf] EXT FORCE - 533lbf [241.7kgf] RETRACT FORCE
 LOAD RATING - MAX TOOLING WT=55lbs [25kg], MAX GEO CONTACT OFFSET IS 150mm. MAX SIDE LOAD IS 110lbs [50kg]

 E & E CUSTOM PRODUCTS 7200 MILLER DR. WARREN, MI 48092 EE-CP.COM	NOTICE: THIS DRAWING IS PROPERTY OF E&E CUSTOM PRODUCTS INCLUDING THE PRINCIPLES OF THE DESIGN INVOLVED, AND IS SUBMITTED WITH AGREEMENT THAT IT IS NOT TO BE REPRODUCED, COPIED, OR LOANED, IN PART OR WHOLE, ACCEPTANCE OF THIS DRAWING WILL BE CONSTRUED AS AN AGREEMENT TO THE ABOVE		
	TITLE: 34 SERIES SHOT PIN		
	PART NO.		
	DRAWN BY:	CHK'D BY: EC	APPR'D BY: TT
	DATE:	DATE: 10/18/2023	DATE: 10/18/2023
SCALE: 1/2		DWG. NO. ASP34-Template	
SHT 1 OF 2			

SYM	CHANGES	DATE	BY
-----	---------	------	----



445.0 [17.51] 200 STROKE
 420.0 [16.54] 175 STROKE
 395.0 [15.55] 150 STROKE
 370.0 [14.57] 125 STROKE

125,150,175 & 200 MM STROKE
 DIMENSIONS

WEIGHTS =
 18.5lbs for 125mm Strokes
 19.5lbs for 150mm Stroke

	NOTICE: THIS DRAWING IS PROPERTY OF E&E CUSTOM PRODUCTS INCLUDING THE PRINCIPLES OF THE DESIGN INVOLVED, AND IS SUBMITTED WITH AGREEMENT THAT IT IS NOT TO BE REPRODUCED, COPIED, OR LOANED, IN PART OR WHOLE, ACCEPTANCE OF THIS DRAWING WILL BE CONSTRUED AS AN AGREEMENT TO THE ABOVE		
	TITLE 34 SERIES SHOT PIN		
PART NO.			
DRAWN BY:	CHK'D BY: EC	APPR'D BY: TT	
DATE:	DATE: 10/18/2023	DATE: 10/18/2023	
SCALE: 1/2	DWG. NO. ASP34-Template		
SHT 2 OF 2			
7200 MILLER DR. WARREN, MI 48092 EE-CP.COM			