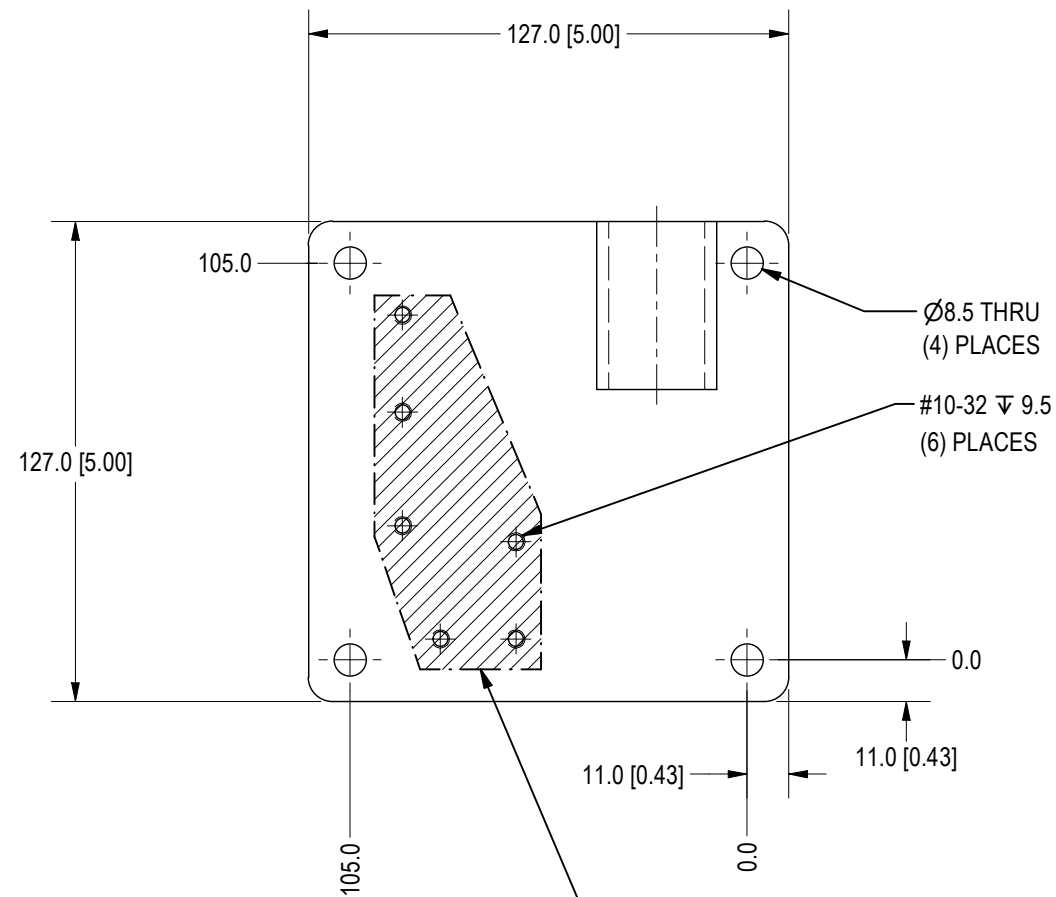
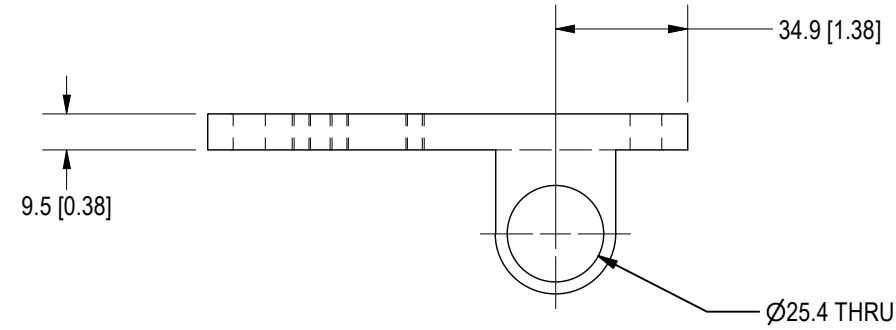
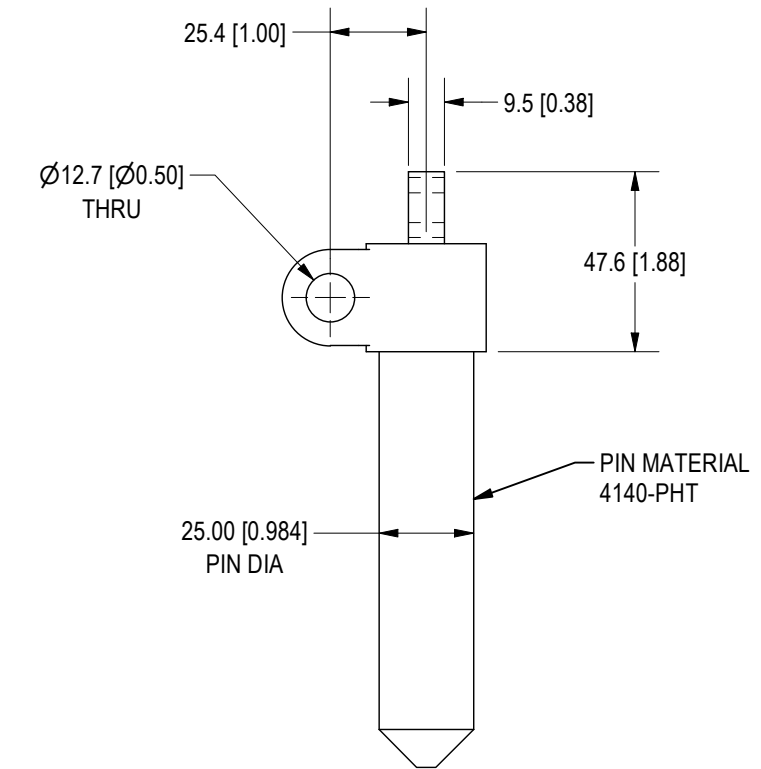
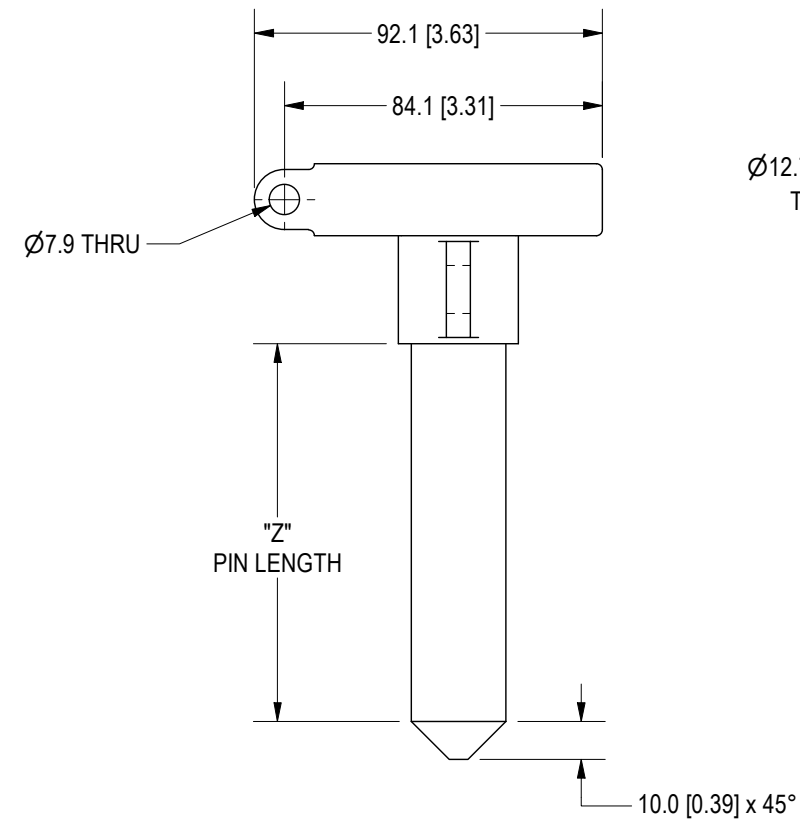


SYM	CHANGES	DATE	BY
-----	---------	------	----

# NAAMS P.E. CERTIFIED SAFETY PIN COMPONENTS



ASC0011  
BRACKET



SAFETY PIN

PIN CODE	"Z"
ASC0100	100
ASC0150	150
ASC0200	200
ASC0250	250
ASC0300	300

 7200 MILLER DR. WARREN, MI 48092 EE-CP.COM	NOTICE: THIS DRAWING IS PROPERTY OF E&E CUSTOM PRODUCTS INCLUDING THE PRINCIPLES OF THE DESIGN INVOLVED, AND IS SUBMITTED WITH AGREEMENT THAT IT IS NOT TO BE REPRODUCED, COPIED, OR LOANED, IN PART OR WHOLE, ACCEPTANCE OF THIS DRAWING WILL BE CONSTRUED AS AN AGREEMENT TO THE ABOVE		
	TITLE: NAAMS SAFETY PIN COMPONENTS		
	PART NO.		
	DRAWN BY:	CHK'D BY:	APPR'D BY:
DATE: 9/23/2020	DATE: 11/22/2022	DATE: 11/22/2022	
SCALE: 1/2	DWG. NO. NAAMS SAFETY PIN COMPONENTS		
SHT 1 OF 1			