

SYM	CHANGES	DATE	BY
-----	---------	------	----

ORDERING INFORMATION



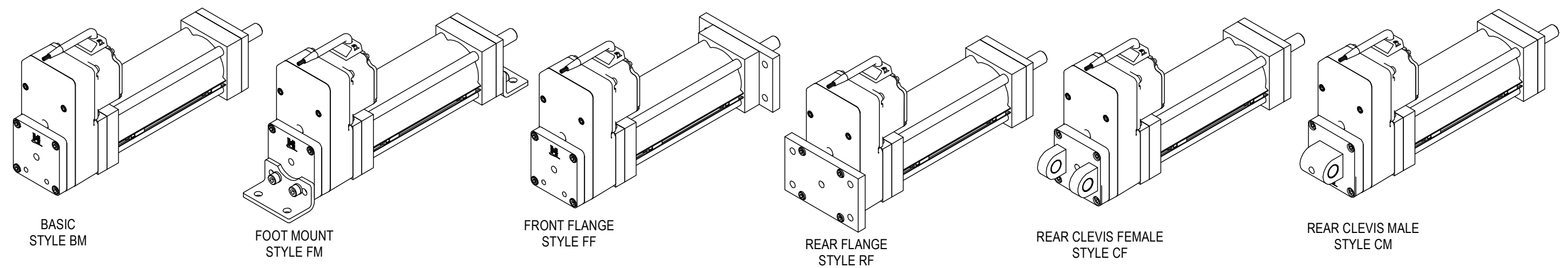
- Stroke**
025 Thru 250mm
(In 25mm Increments)
- Type**
- L Lead Screw (standard)
 - B Ball Screw
(Requires brake to hold position)
- Style**
- BM Basic mount
 - FM Foot Mount
 - FF Front Flange
 - RF Rear Flange
 - CF Rear Clevis Female
 - CM Rear Clevis Male
- Switch**
- S Sick (Standard) Weld Immune
 - B Balluff
 - E Efactor Weld Immune
 - T Turck

- Gearbox Ratio**
- 05 = 5:1
 - 10 = 10:1
- Motor/ Brake 24VDC**
- 0 No Brake
 - B Mechanical Brake
- Switch Position**
- E S01 Ext Pos
 - R S01 Ret Pos
- Rear Clevis Pin Orientation**
- 0 Shown
 - 9 Rotated 90 degrees
- Front Flange Orientation**
- 0 Shown
 - 9 Rotated 90 degrees

Acme lead screw and polymer nut is self-locking. No motor brake required. No lube required.
Design accepts all ISO series rod accessories.
Rod is anti-rotate but rod flats must be used to tighten rod accessories
Weld field immune extend and retract switches included
Manual override thru rear cap with 4mm hex key

Standard push/pull force using 3/4-5 Screw
5:1 gearbox: 100lbf @ 50mm/sec
10:1 gearbox: 200lbf @ 25mm/sec
Max static load: 1400lbf
Rated current: 3.7A@24vdc

Contact E&E for any of the following customizations:
Ball screw or high lead screw applications
Other E&E motor or customer supplied motor options
48VDC or other operating voltage applications

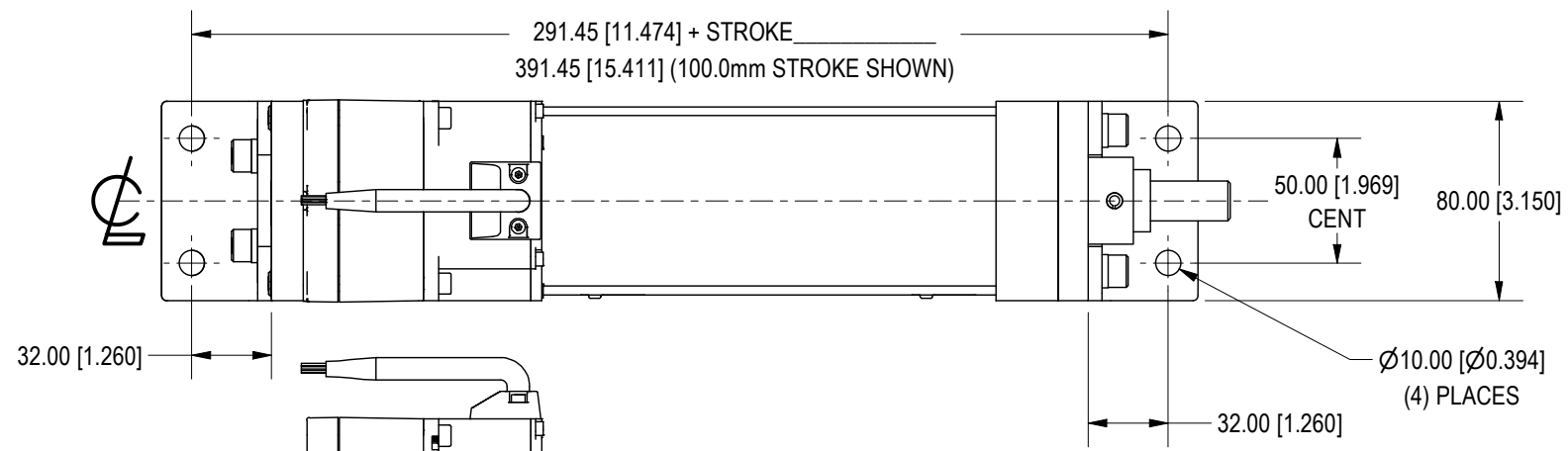


SEE SHEET 2 FOR BASIC MOUNT (BM), FOOT MOUNT (FM)
FRONT FLANGE (FF) & REAR FLANGE (RF) DIMENSIONAL DATA

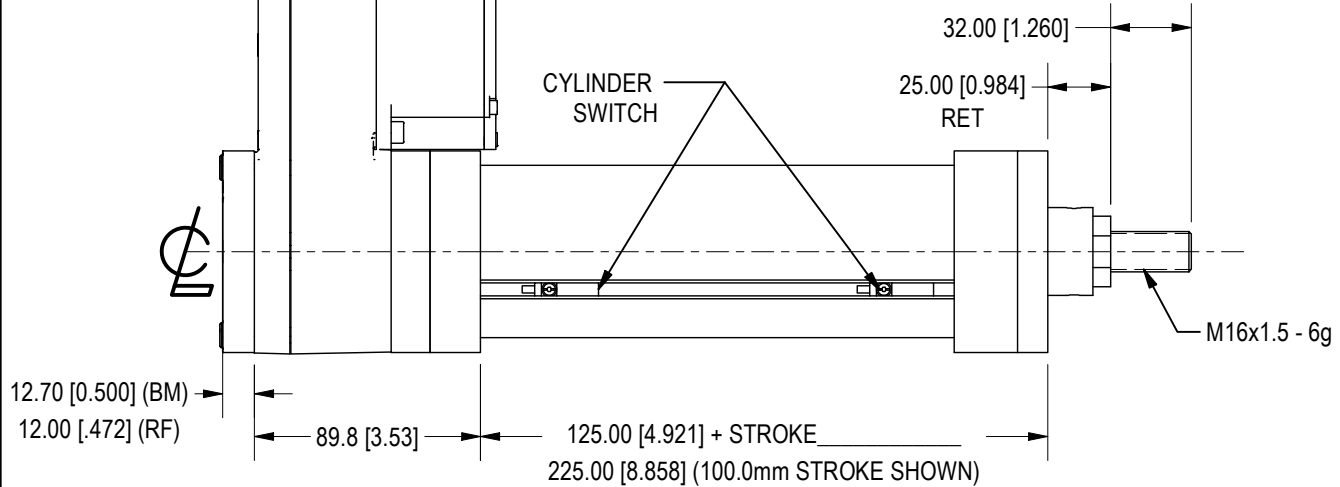
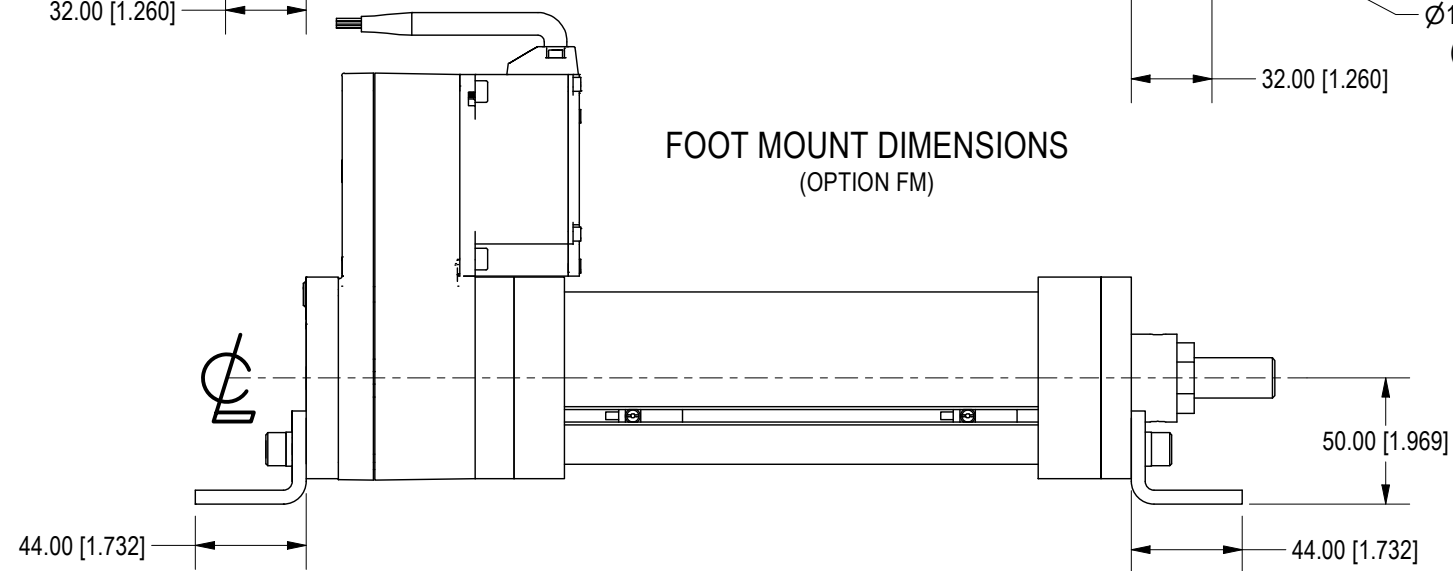
SEE SHEET 3 FOR REAR CLEVIS FEMALE (RF)
& REAR CLEVIS MALE (RM) DIMENSIONAL DATA

 7200 MILLER DR. WARREN, MI 48092 EE-CP.COM	NOTICE: THIS DRAWING IS PROPERTY OF E&E CUSTOM PRODUCTS INCLUDING THE PRINCIPLES OF THE DESIGN INVOLVED, AND IS SUBMITTED WITH AGREEMENT THAT IT IS NOT TO BE REPRODUCED, COPIED, OR LOANED, IN PART OR WHOLE, ACCEPTANCE OF THIS DRAWING WILL BE CONSTRUED AS AN AGREEMENT TO THE ABOVE		
	TITLE 63 SERIES LINEAR ACTUATOR		
	PART NO.		
	DRAWN BY: EE	CHK'D BY: EC	APPR'D BY: TT
	DATE: 8/6/2023	DATE: 8/30/2024	DATE: 8/30/2024
SCALE: 1/5	DWG. NO. LA63-Template		
SHT 1 OF 3			

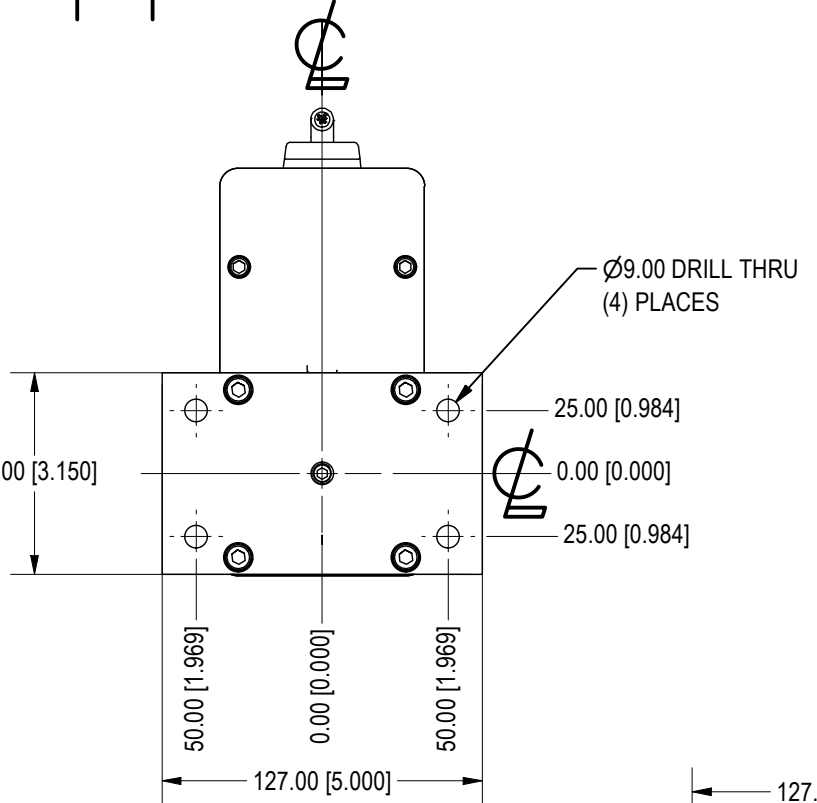
SYM	CHANGES	DATE	BY



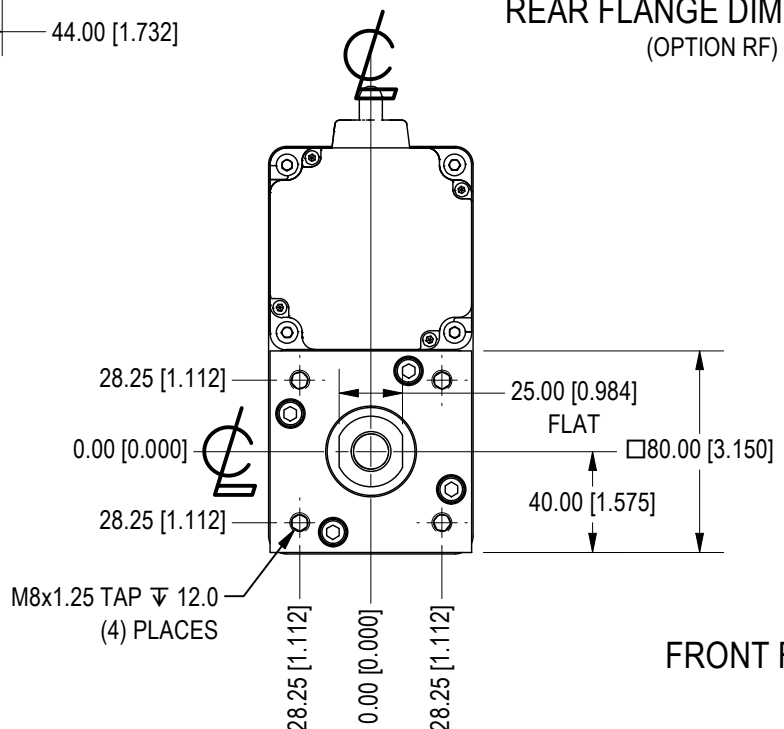
FOOT MOUNT DIMENSIONS
(OPTION FM)



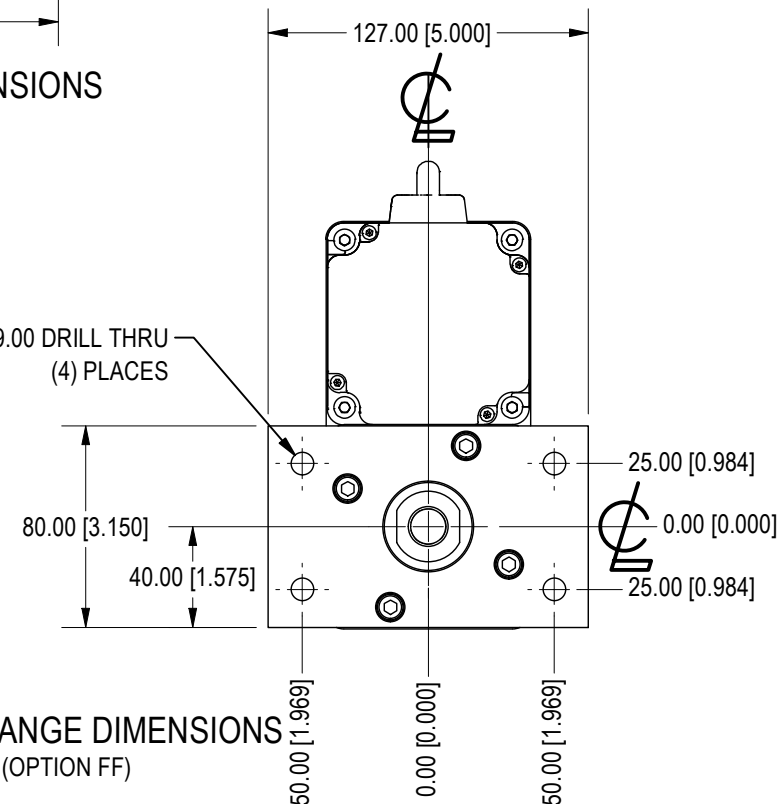
BASIC DIMENSIONS
(OPTION BM)



REAR FLANGE DIMENSIONS
(OPTION RF)



BASIC DIMENSIONS

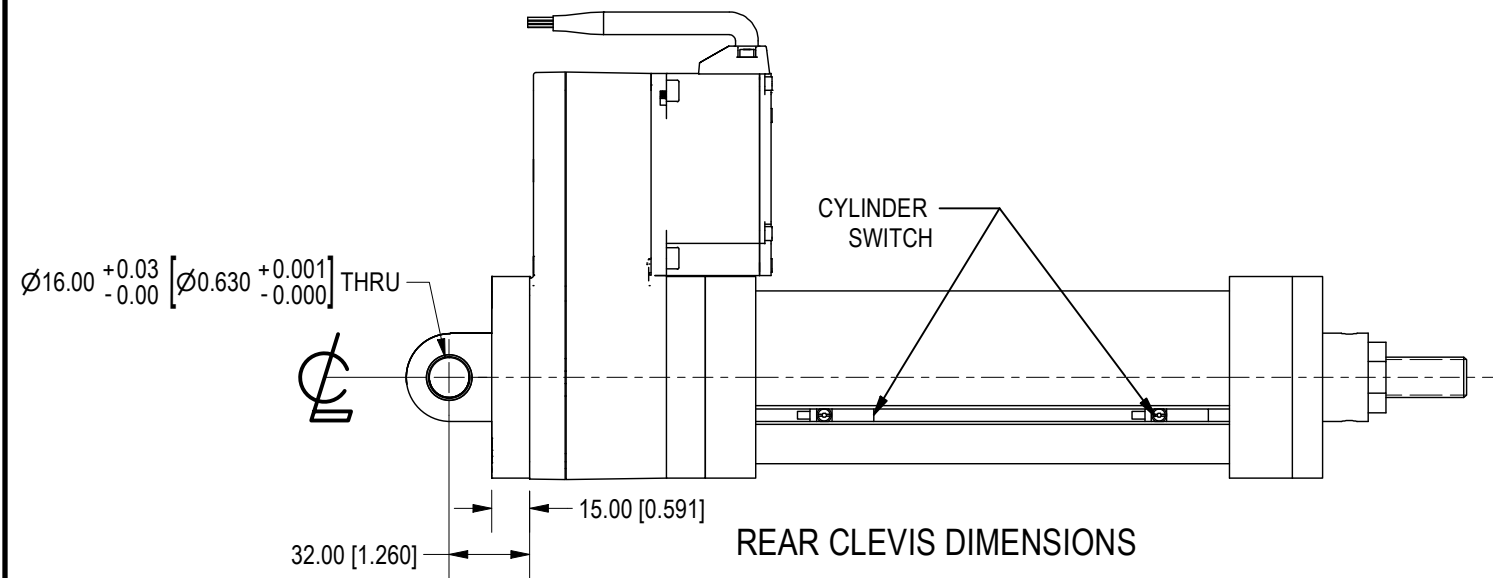


FRONT FLANGE DIMENSIONS
(OPTION FF)

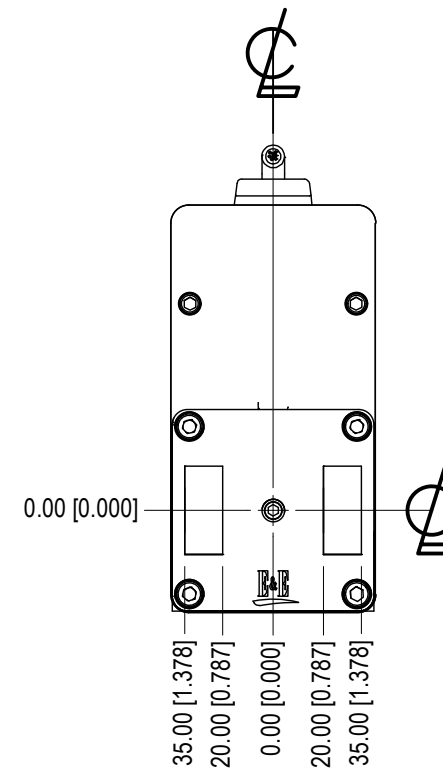
BASIC MOUNT (BM), FOOT MOUNT (FM), FRONT FLANGE (FF) & REAR FLANGE (RF) DIMENSIONAL DATA

<p>7200 MILLER DR. WARREN, MI 48092 EE-CP.COM</p>	<p>NOTICE: THIS DRAWING IS PROPERTY OF E&E CUSTOM PRODUCTS INCLUDING THE PRINCIPLES OF THE DESIGN INVOLVED, AND IS SUBMITTED WITH AGREEMENT THAT IT IS NOT TO BE REPRODUCED, COPIED, OR LOANED, IN PART OR WHOLE, ACCEPTANCE OF THIS DRAWING WILL BE CONSTRUED AS AN AGREEMENT TO THE ABOVE</p>		
	<p>TITLE 63 SERIES LINEAR ACTUATOR</p>		
	<p>PART NO.</p>		
	<p>DRAWN BY: EE</p>	<p>CHK'D BY: EC</p>	<p>APPR'D BY: TT</p>
	<p>DATE: 8/6/2023</p>	<p>DATE: 8/30/2024</p>	<p>DATE: 8/30/2024</p>
<p>SCALE: 1/3</p>	<p>DWG. NO. LA63-Template</p>		
<p>SHT 2 OF 3</p>			

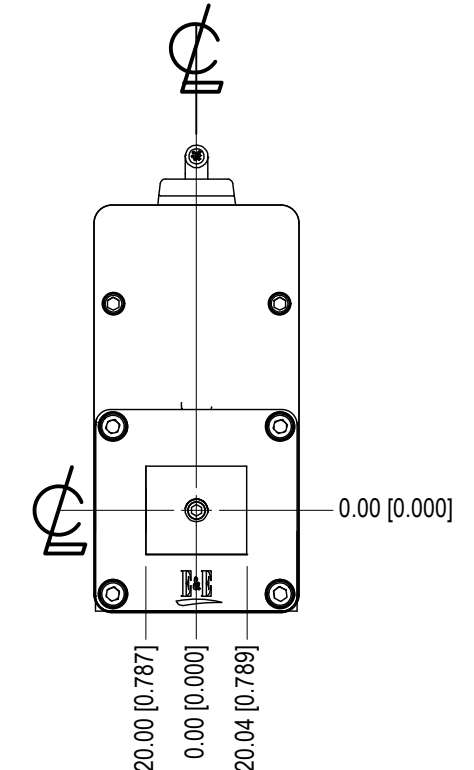
SYM	CHANGES	DATE	BY



REAR CLEVIS DIMENSIONS



FEMALE CLEVIS DIMENSIONS
(OPTION CF)



MALE CLEVIS DIMENSIONS
(OPTION CM)

REAR CLEVIS FEMALE (RF) & REAR CLEVIS MALE (RM) DIMENSIONAL DATA

<p>7200 MILLER DR. WARREN, MI 48092 EE-CP.COM</p>	<p>NOTICE: THIS DRAWING IS PROPERTY OF E&E CUSTOM PRODUCTS INCLUDING THE PRINCIPLES OF THE DESIGN INVOLVED, AND IS SUBMITTED WITH AGREEMENT THAT IT IS NOT TO BE REPRODUCED, COPIED, OR LOANED, IN PART OR WHOLE, ACCEPTANCE OF THIS DRAWING WILL BE CONSTRUED AS AN AGREEMENT TO THE ABOVE</p>		
	<p>TITLE 63 SERIES LINEAR ACTUATOR</p>		
	<p>PART NO.</p>		
	<p>DRAWN BY: EE</p>	<p>CHK'D BY: EC</p>	<p>APPR'D BY: TT</p>
<p>DATE: 8/6/2023</p>	<p>DATE: 8/30/2024</p>	<p>DATE: 8/30/2024</p>	
<p>SCALE: 1/3</p>	<p>DWG. NO. LA63-Template</p>		
<p>SHT 3 OF 3</p>			